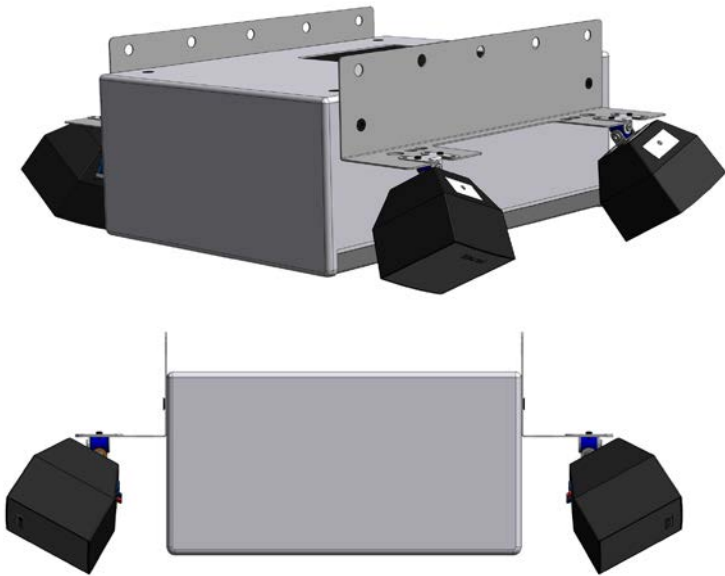


ARQSB10SATB

LOUDSPEAKERS HARDWARE

Mounting kit for ARQISSB10 & eAMBIT103



INSTALLATION QUICK GUIDE

CONTENT

| | |
|---------------------------------------|---|
| Important note | 3 |
| Precautions | 3 |
| Introduction | 3 |
| Assembly | 3 |
| Technical specifications | 7 |

IMPORTANT NOTE

Congratulations. You now own the result of a well-designed, carefully produced manufacture. We thank you for your trust by having chosen our ARQSB10SATB outdoor loudspeaker.

PRECAUTIONS

- Read these instructions
- Keep these instructions
- Pay attention to all the warnings
- Follow all the instructions
- Install following the manufacturer's instructions
- Only use the accessories specified by the manufacturer.
- In the event of any repair, contact a qualified technical service.

INTRODUCTION

ECLER ARQSB10SATB is a kit including 2 metal brackets, to convert an ARQIS SSB10 subwoofer unit into a hanging cluster, combining the ARQIS SB10 unit and 4 x eAMBIT103 satellite loudspeakers (loudspeakers not included with this reference).

ASSEMBLY:

Attaching 4 eAMBIT103 to the ARQIS SB10 using ARQSB10SATB accessory.

1. Remove the wall brackets and the auxiliary screws of ARQIS SB10



2. Screw the short screws to the back side of the cabinet.

IMPORTANT: Only use the longer ones to attach the new brackets

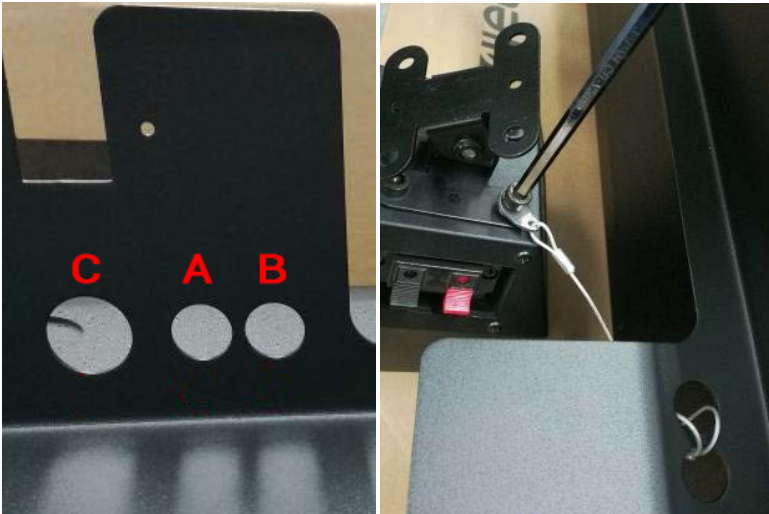


3. Attach the hanging brackets to the side faces of cabinet, using the long screws.

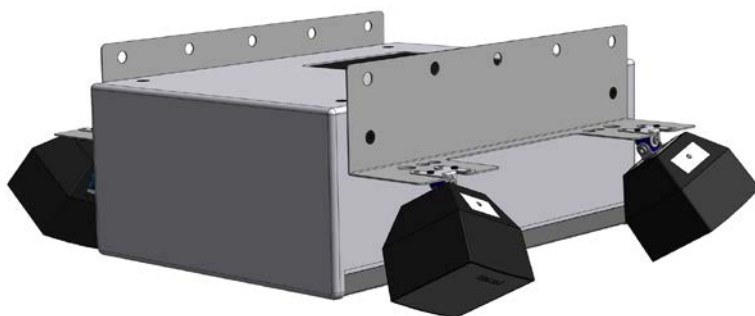


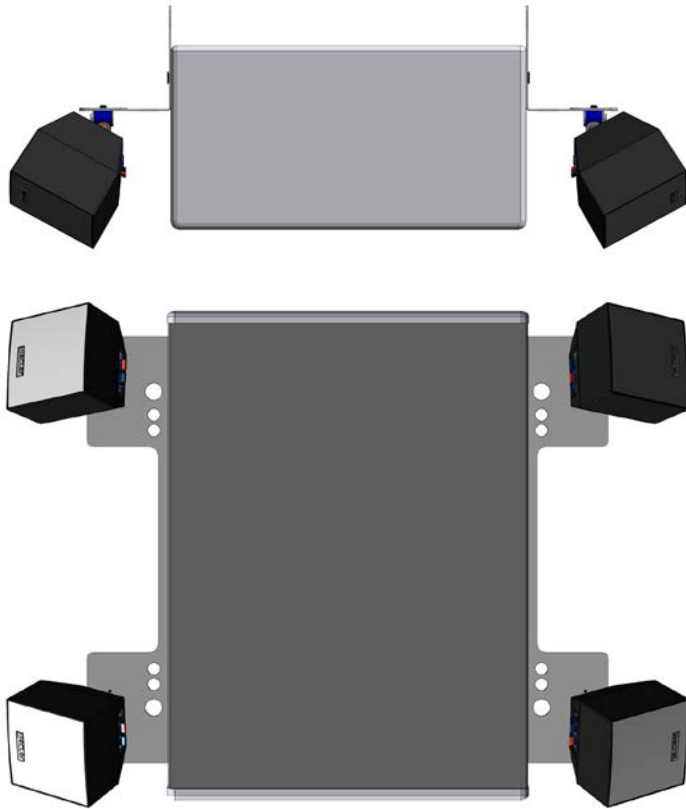
4. Tight the safety cable of eAMBIT103 speakers to the bracket, using the “A” & “B” holes, and secure the other end of the cable to the back side of eAMBIT103.

You can use the “C” holes for the audio cables.



5. Attach the eAMBIT103 cabinets to the bracket using two self-tapping M4 screws. Finally, you can angle the cabinets as you need.





TECHNICAL SPECIFICATIONS

ARQSB10SATB

| | |
|---------------------------|-----------------------------|
| Construction | Aluminum grill, ABS cabinet |
| Dimensions (WxDxH) | 550x126x115mm |
| Weight | 0.5 kg /unit |

All product characteristics are subject to variation due to production tolerances. NEEC AUDIO BARCELONA S.L. reserves the right to make changes or improvements in the design or manufacturing that may affect these product specifications.

Motors, 166-168 08038 Barcelona - Spain - (+34) 932238403 information@ecler.es www.ecler.com