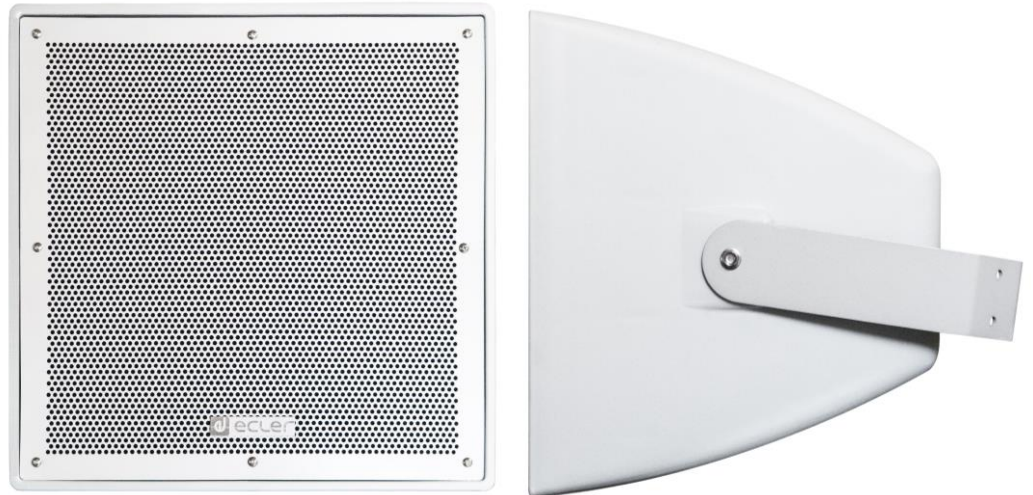


## eCMP12

### SPECIALIZED LOUDSPEAKERS

#### *Musical Projector*



### PRODUCT OVERVIEW

eCMP12 is a 300W high efficiency musical projector ready for outdoor applications due to its waterproof and sun screening building material (IP56). It performs a 12" LF driver and 1,7" HF coaxial driver, 300W @ 8 $\Omega$  nominal power and 70/100V line transformer with 50/100/200W/8 $\Omega$  power options.

### KEY FEATURES

- Weatherproof 2-way music projector
- 300 W @ 8 $\Omega$
- Power options 100V: 50/100/200W/OFF and 8  $\Omega$
- Power options 70V: 25/50/100W/OFF and 8  $\Omega$
- Input & output connection via terminal block
- Frequency response (-10dB): 91 Hz-20 kHz
- Dispersion (HxV): 107° x 107°
- Material: Polypropylene, aluminium (grille), hot-dipped galvanized steel (U-bracket)
- Weather-resistant IP56 rating

### APPLICATIONS

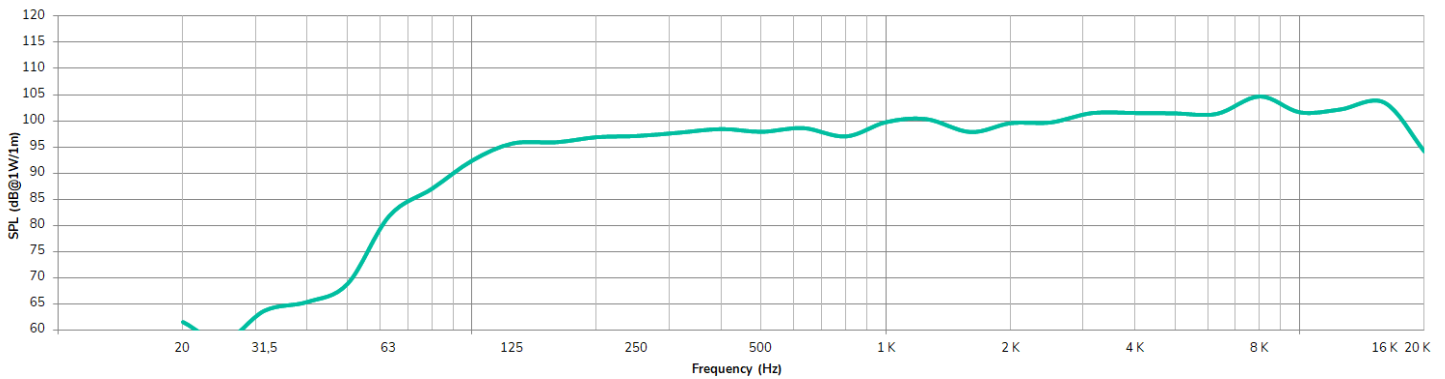
- Commercial
- Hospitality
- Education
- Corporate
- Sports and wellness
- House of worship
- Leisure

TECHNICAL SPECIFICATIONS

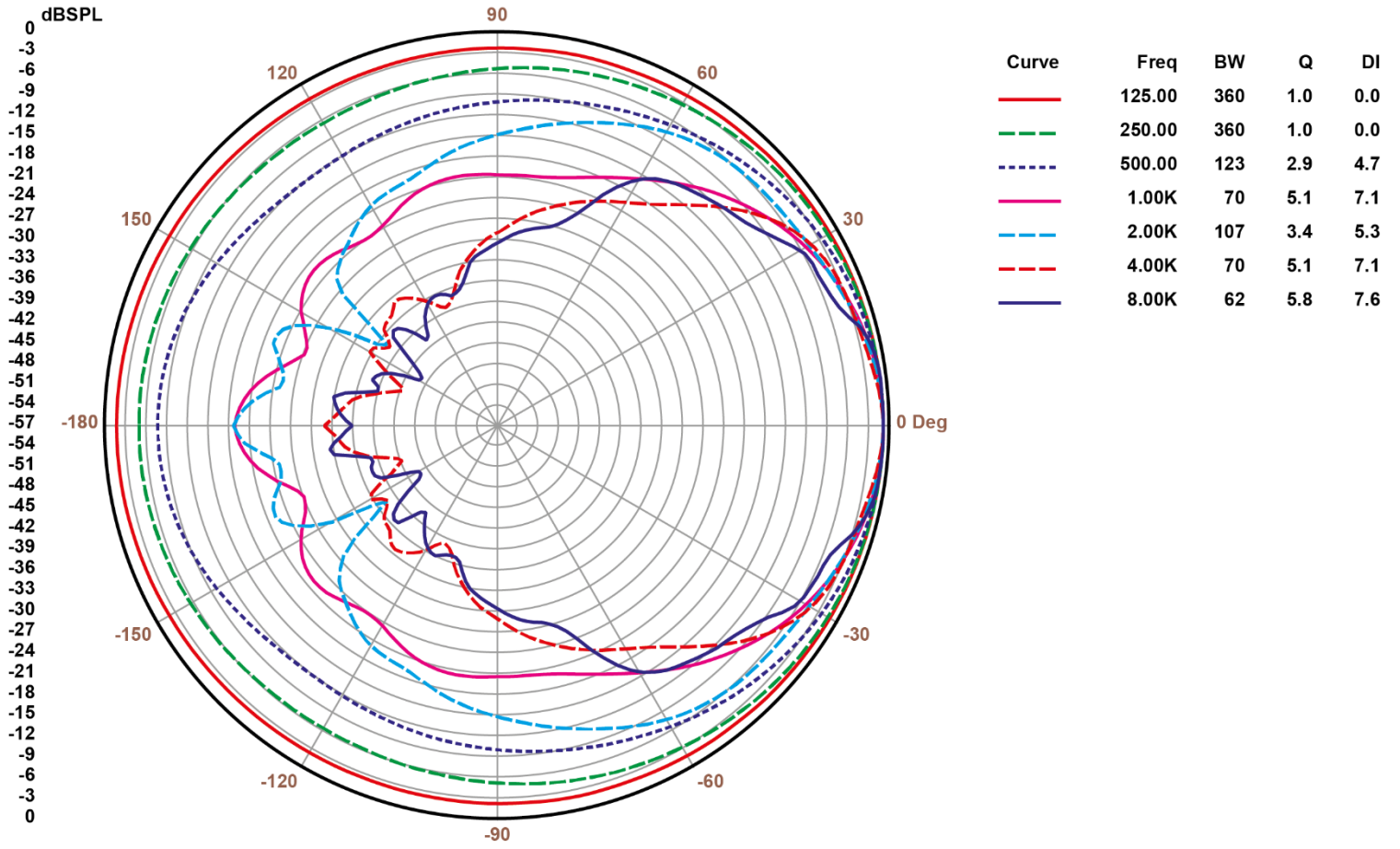
eCMP12

Speaker type	Long throw, 2 way
Nominal impedance	8Ω
Power handling	300 W RMS / 1200 W Peak
Power options	100V: 50W / 100W / 200W / OFF / 8 Ω 70V: 25W / 50W / 100W / OFF / 8 Ω
Frequency response (-10dB)	91 Hz-20 kHz
Sensitivity (1W/1m)	100 dB
Maximum SPL	125 dB continuous / 131 dB peak
Crossover frequency	2,1 kHz (passive)
Drivers	12" (LF) & 1,7" (HF)
Dispersion (HxV)	107° x 107°
Connections	Terminal block (Input + Output)
IP Rating	IP56
Finished color	Grey (RAL 538C)
Material	Polypropylene, aluminium (grille), hot-dipped galvanized steel (U-bracket)
Dimensions	407 x 410 x 378mm / 16.0" x 16.1" x 14.9"
Weight	20,0 kg. / 44.1 lb.

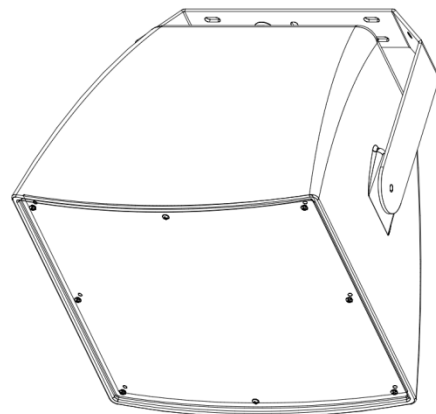
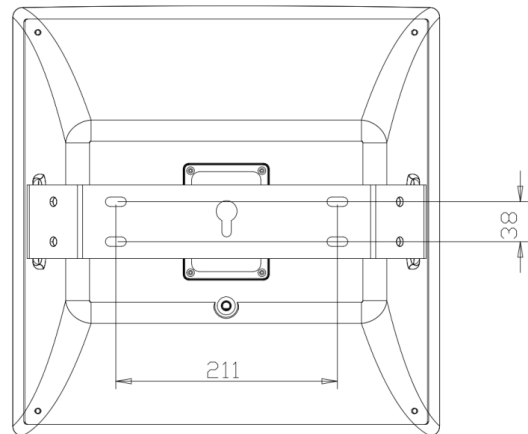
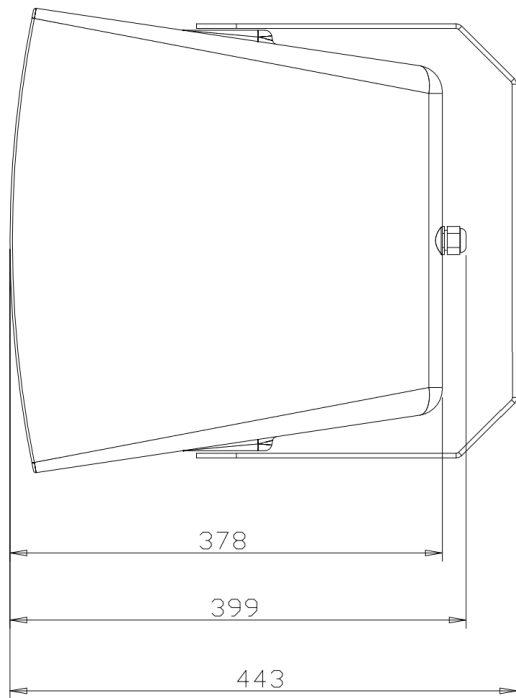
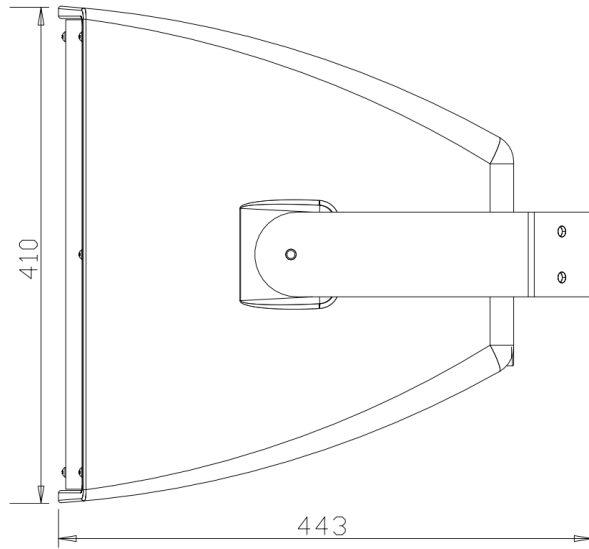
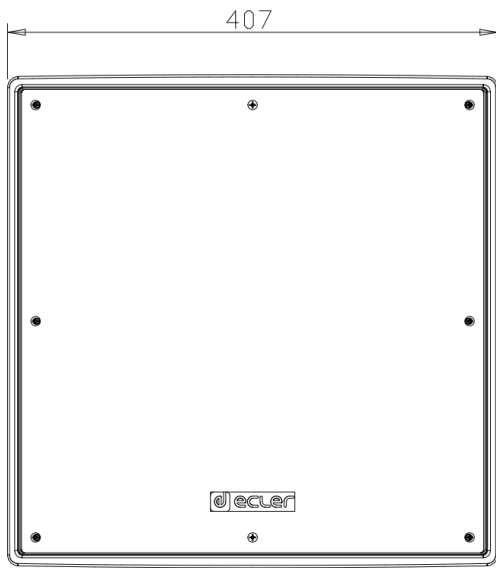
FREQUENCY RESPONSE



POLAR DIAGRAMS



MECHANICAL DIAGRAMS





All product characteristics are subject to variation due to production tolerances. **NEEC AUDIO BARCELONA S.L.** reserves the right to make changes or improvements in the design or manufacturing that may affect these product specifications.

For technical queries contact your supplier, distributor or complete the contact form on our website, in [Support / Technical requests](#).

Motors, 166-168 08038 Barcelona - Spain - (+34) 932238403 | [information@ecler.com](mailto:information@ecler.com) | [www.ecler.com](http://www.ecler.com)