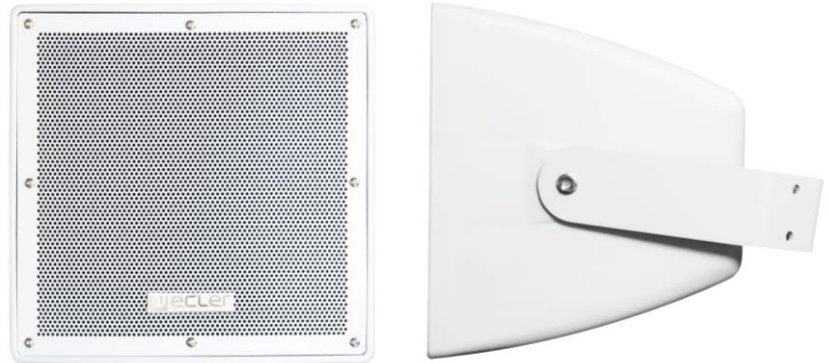


eCMP8

SPECIALIZED LOUDSPEAKERS

Musical Projector



PRODUCT OVERVIEW

eCMP8 is a 150W high efficiency musical projector ready for outdoor applications due to its waterproof and sun screening building material (IP56). It performs an 8" LF driver and 1,4" HF coaxial driver, 150W @ 8 Ω nominal power and 70/100V line transformer with 37, 5/75/150W/ 8 Ω power options.

KEY FEATURES

- Weatherproof 2-way music projector
- 150 W @ 8 Ω
- Power options 100V: 37,5/75/150W/OFF and 8 Ω
- Power options 70V: 18,75/37,5/75W/OFF and 8 Ω
- Max SPL (Peak) :125dB
- Frequency response (-10dB): 87Hz – 20kHz
- Dispersion (HxV): 135° x 135°
- Wheather-resistant IP56 rating
- Input & output connection via terminal block
- Matreial: Polypropylene, aluminium (grille), hot-dipped galvanized steel (U-bracket)

APPLICATIONS

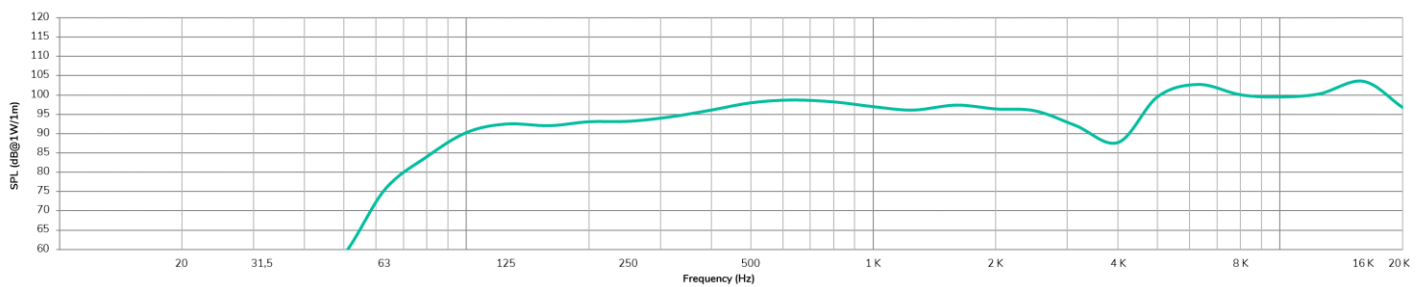
- Commercial
- Hospitality
- Education
- Corporate
- Sports and wellness
- House of worship
- Leisure

TECHNICAL SPECIFICATIONS

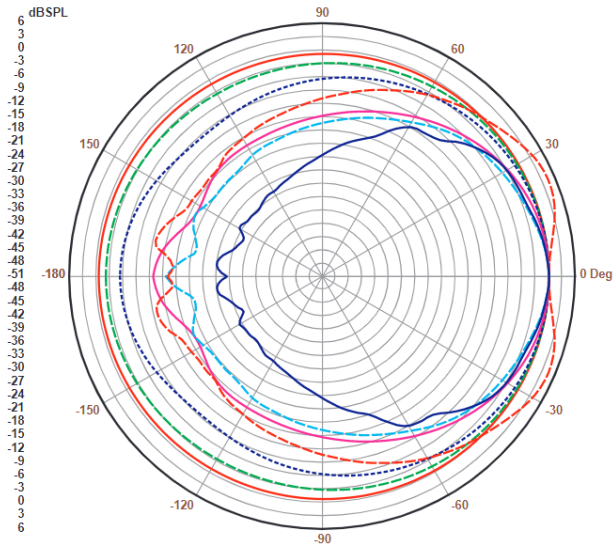
eCMP8

Ways	2-ways, full range, long throw
Drivers	8" woofer and 1,4" HF coaxial driver
Impedance	8Ω, nominal
Power	150W RMS / 600W Peak
Recommended power amplifier	300W
Power options	100V: 37,5W / 75W / 150W / OFF / 8 Ω 70V: 18,75W / 37,5W / 75W / OFF / 8 Ω
Frequency response	87 Hz - 20 kHz (-10dB)
Sensitivity	97dB (1W/1m)
Max SPL	119dB continuous / 125dB peak (calculated)
Crossover filter	2,1 kHz (passive)
Dispersion	135° x 135° (HxV)
Connection type	Terminal block (Input + Output)
Power type selector	Selectable transformer tap
IP Rating	IP56
Finished color	Grey (RAL 538C)
Material	Polypropylene (enclosure), aluminium (grille), hot-dipped galvanized steel (U-bracket)
Dimensions	300 x 302 x 334mm / 11.8" x 11.9" x 13.2"
Weight	11,0 kg. / 24.3 lb.

FREQUENCY RESPONSE ON-AXIS

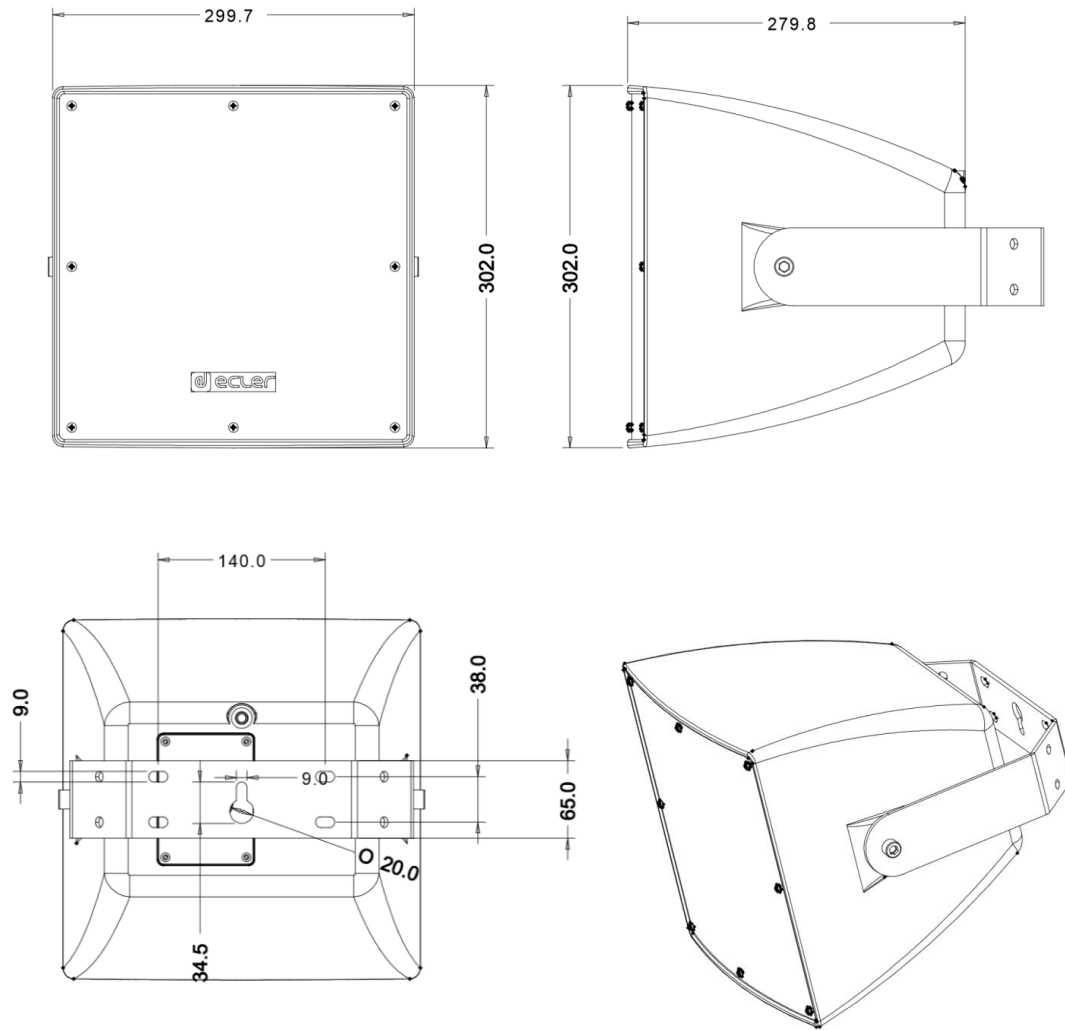


POLAR DIAGRAMS



Curve	Freq	BW	Q	DI
— (Red)	125.00	360	1.0	0.0
- - - (Green)	250.00	360	1.0	0.0
· · · (Blue)	500.00	167	2.2	3.3
- · - (Magenta)	1.00K	86	4.2	6.2
- - - (Cyan)	2.00K	78	4.6	6.6
- · - (Orange)	4.00K	135	2.7	4.3
— (Dark Blue)	8.00K	78	4.6	6.6

MECHANICAL DIAGRAMS





All product characteristics are subject to variation due to production tolerances. **NEEC AUDIO BARCELONA S.L.** reserves the right to make changes or improvements in the design or manufacturing that may affect these product specifications

For technical queries contact your supplier, distributor or complete the contact form on our website, in [Support / Technical requests](#).

Motors, 166-168 08038 Barcelona - Spain - (+34) 932238403 | information@ecler.com | www.ecler.com