

eHSA4-150

HIGH IMPEDANCE

High Impedance Multichannel Amplifier



PRODUCT OVERVIEW

eHSA4-150 is a multichannel amplifier with high impedance powered outputs. A very high efficiency and its auto stand-by function provide this amplifier with a true green profile.

KEY FEATURES

- 4 mono balanced inputs (Euroblock terminals)
- 4 x 150 W RMS output (70/ 100V line level)
- Euroblock output connectors
- High efficiency, auto stand-by function and convection cooling (fanless, 100% silent)
- thermal protection
- Overload protection
- Anti-clip system
- Volume control knobs on front panel

APPLICATIONS

- Single or multi-zone BGM and paging systems with 100V line speakers, combined with the DAM, MIMO and SAM / eSAM series preamplifiers / processors

CERTIFICATIONS

- EN60065:2014
- EN55103-1:2009
- EN55103-2:2009
- 2006/95/EC
- 2004/108/CE

TECHNICAL SPECIFICATIONS

eHSA4-150

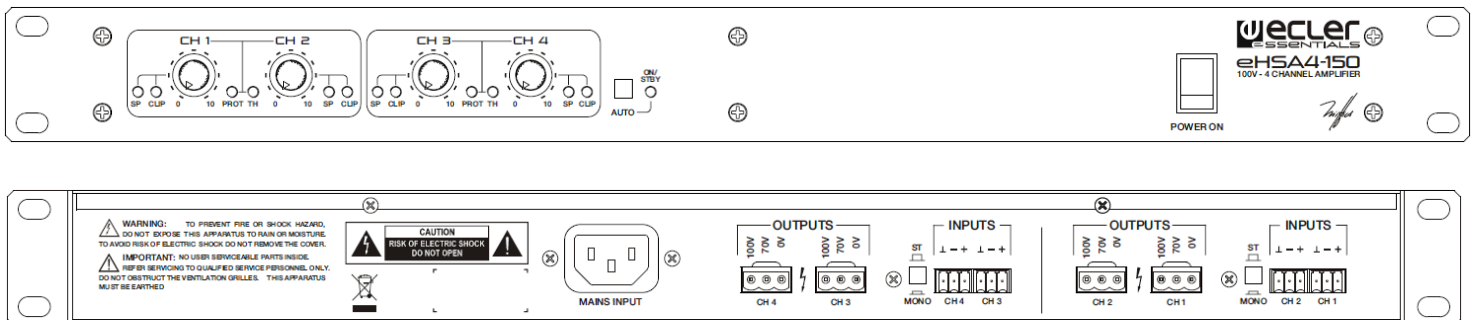
POWER @ 1kHz 1% THD, 100V output

1 Channel @ 66Ω	145 WRMS
All Channels @ 66Ω	140 WRMS
Frequency response (-1 dB, -3dB)	20Hz - 30kHz
Filter (High-Pass) 3rd order Butterworth	50Hz
THD+Noise @ 1kHz Full Power	<0.05%
S+N/N 20Hz - 20kHz @ 1W/4Ω	>85dB
CMRR	>55dB
Damping factor 1kHz @ 8Ω	>150
Channel crosstalk @ 1kHz	>55dB
Input Sensitivity / Impedance	0dB/>20kΩ
Anticlip @ 2dBV input	<1% THD
Mains voltage	100-240VAC

Power consumption

pink noise, 1/8 power @ 4Ω	113W / 130VA
pink noise, 1/3 power @ 4Ω	268W
Idle	29W
STBY	18W
Efficiency @ Pmax	80%
Dimensions (Handle excluded)	440x44x360mm
Weight	10.50kg

MECHANICAL DIAGRAM





All product characteristics are subject to variation due to production tolerances. **NEEC AUDIO BARCELONA S.L.** reserves the right to make changes or improvements in the design or manufacturing that may affect these product specifications.

For technical requests address to your supplier, distributor or fill the contact form in our website, at [Support / Technical Request](#).

Motors, 166-168 08038 Barcelona - Spain - (+34) 932238403 | information@ecler.com | www.ecler.com