

LABI1-SB18p

COMPACT PA SYSTEMS

Sub-top portable sound system



LABI1-SB18p



LABI1 Set

PRODUCT OVERVIEW

LABI1-SB18p is an 18" powered subwoofer, designed for fixed installations and portable applications. A stand alone compact subwoofer or combined with LABI1-C100i to create a complete powerful solution, easy to mount and plug and play.

It performs 2400W Class D built-in amplification power: 1 x 1200W for its low frequency woofer, and 2x600W amplifiers, able to power up to 4 x LABI1-C100i. It also features DC protection to avoid damage to the loudspeakers.

LABI1-SB18p also performs 18 factory presets - selectable through the LCD screen - allowing the user to choose different configurations, depending on the needs required and the desired performance of the system.

LABI1 series offers a modular solution to satisfy the most demanding fixed installations and mobile public address applications. Combining the different products of the series, it can fulfill any requirement.

KEY FEATURES

- 18” powered subwoofer with a compact design
- 2400W built-in Class D amplification power
- Low frequency amplifier: 1200W
- Speaker output amplifier: 2x600W@4Ω
- Frequency range (-10dB): 38Hz – 250Hz
- Max. SPL: 132dB
- 2 x input connectors: XLR3 balanced
- 2 x XLR stack output connectors: XLR3 balanced
- 2 x powered output connectors: Speakon®
- 18 factory presets
- User control interface with LCD
- Black finish available

APPLICATIONS

- Hospitality
- Leisure
- Sports & Wellness

ACCESSORIES & COMPATIBLE PRODUCTS

- LABI1-C100i
- LABI1-SAC: column to sub-woofer adapter
- LABI1-SWK: wheel kit
- LABI1-SPC: protection nylon cover



LABI1-SWK



LABI1-SPC

TECHNICAL SPECIFICATIONS

LABI1-SB18p

Drivers	18” subwoofer with 3” voice coil
Power	2400W Class D built-in amplification power with DC protection: Low freq: 1x1200W Speaker output (bal. load): 600W@4Ω + 600W@4Ω Speaker output (unbal. load): 800W@4Ω + 400W@8Ω
Power supply	Switching power supply and PFC system
Maximum SPL	132dB
Frequency range	38 Hz ~ 250 Hz (-10dB)
Dispersion	Omnidirectional
Audio inputs	2 x XLR3 balanced
Audio outputs	2 x XLR3 balanced
Powered outputs	2 x Speakon®
Communication interfaces	LCD display and navigation keys USB-B: Only for configuration purposes
Processing	48 KHz / 56 bit double precision DSP 18 factory presets
IP rating	IP20
Material	15mm premium birch plywood with polyurea coating
Operating temperature	Min: 0°C ; 32°F Max: 35°C ; 95°F
Operating humidity	<85% HR

Storage temperature	Min: -10°C ; 14°F Max: 50°C ; 122°F
Storage humidity	<90% HR
Mains	AC 100-240V / 50-60Hz with PFC
AC connections	16A Neutrik® powerCON TRUE1 TOP with looping output
Power consumption	600W (1/8 power)
Finished colour	Black (RAL 9005)
Accessories included	powerCON TRUE1 TOP connectors (NAC3FX-W-TOP & NAC3MX-W-TOP), 250cm AC cable (EU plug) and 120cm Speakon®
Dimensions (WxHxD)	513 x 513 x 704 mm / 20.2 x 20.2 x 27.7 in.
Weight	39.1 kg / 86.2 lb

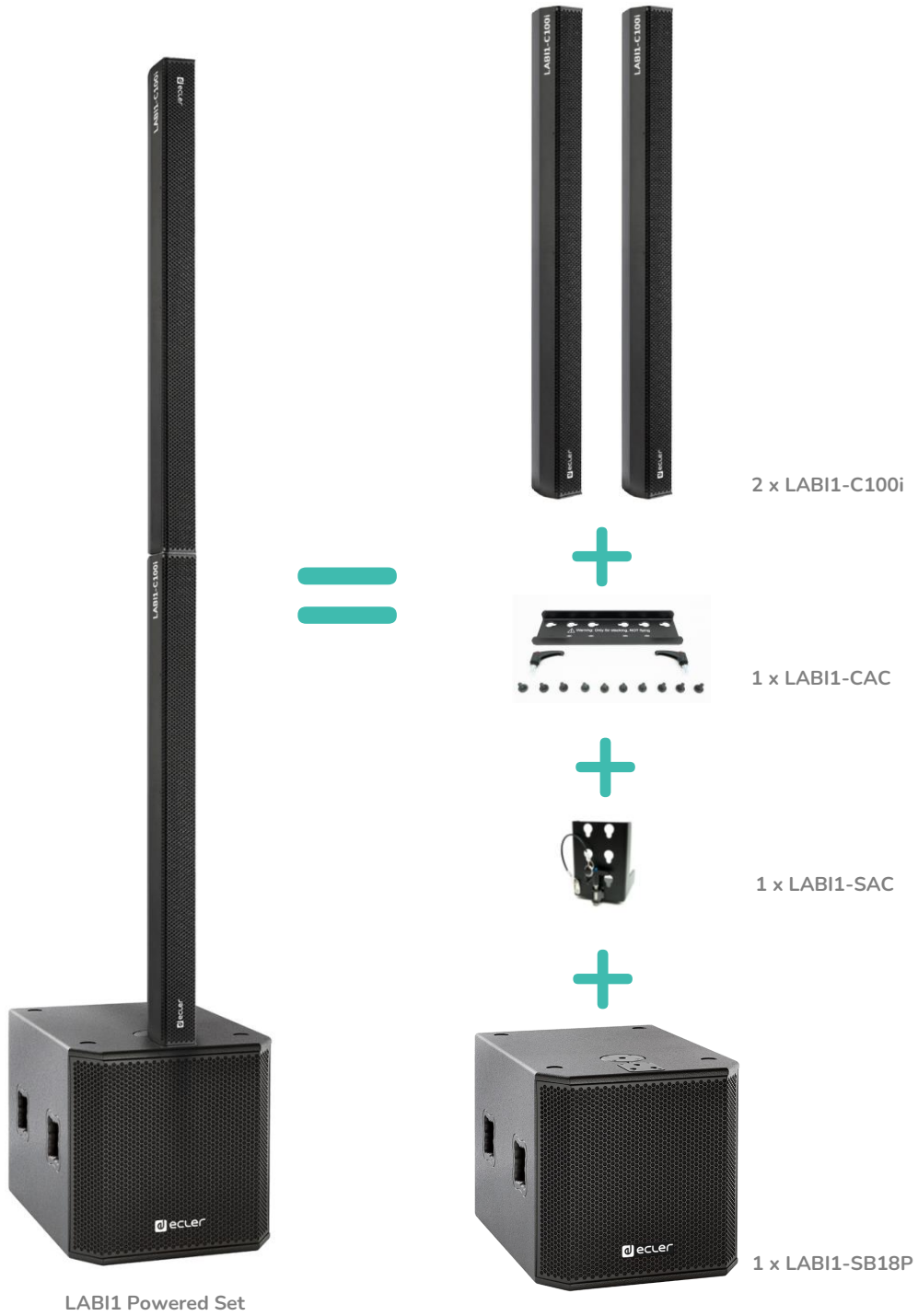
PRESETS CONFIGURATION

#	Name	Inputs	Outputs	Column speakers	DSP config.*
1	MONOi_1o_2cS	In1 - Mono	Out 1 - Mono	2 LABI1-C100i	S
2	MONOi_1o_2cB				B
3	MONOi_1o_2cV				V
4	MONOi_1o_1cS	In1 - Mono	Out 1 - Mono	1 LABI1-C100i	S
5	MONOi_1o_1cB				B
6	MONOi_1o_1cV				V
7	STi_2So_2cS	In1 / In2 - Stereo	Out 1 & 2 - Stereo	2 LABI1-C100i + 2 LABI1-C100i	S
8	STi_2So_2cB				B
9	STi_2So_2cV				V
10	STi_2So_1cS	In1 / In2 - Stereo	Out 1 & 2 - Stereo	1 LABI1-C100i + 1 LABI1-C100i	S
11	STi_2So_1cB				B
12	STi_2So_1cV				V
13	STi_1Mo_2cS	In1 / In2 - Stereo	Out 1 - In1+In2	2 LABI1-C100i	S
14	STi_1Mo_2cB				B
15	STi_1Mo_2cV				V
16	STi_1Mo_1cS	In1 / In2 - Stereo	Out 1 - In1+In2	1 LABI1-C100i	S
17	STi_1Mo_1cB				B
18	STi_1Mo_1cV				V

*DSP configuration:

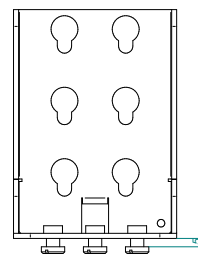
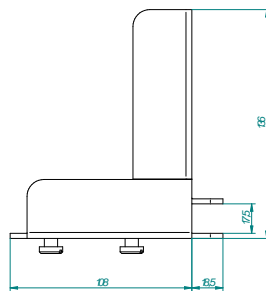
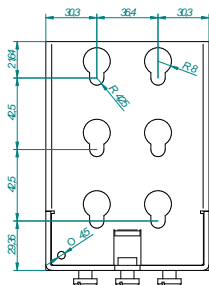
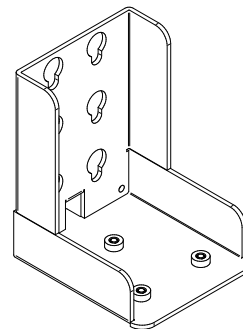
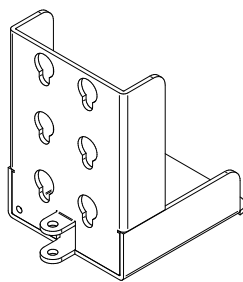
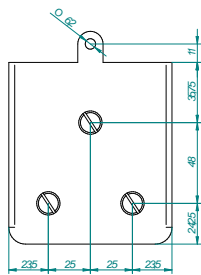
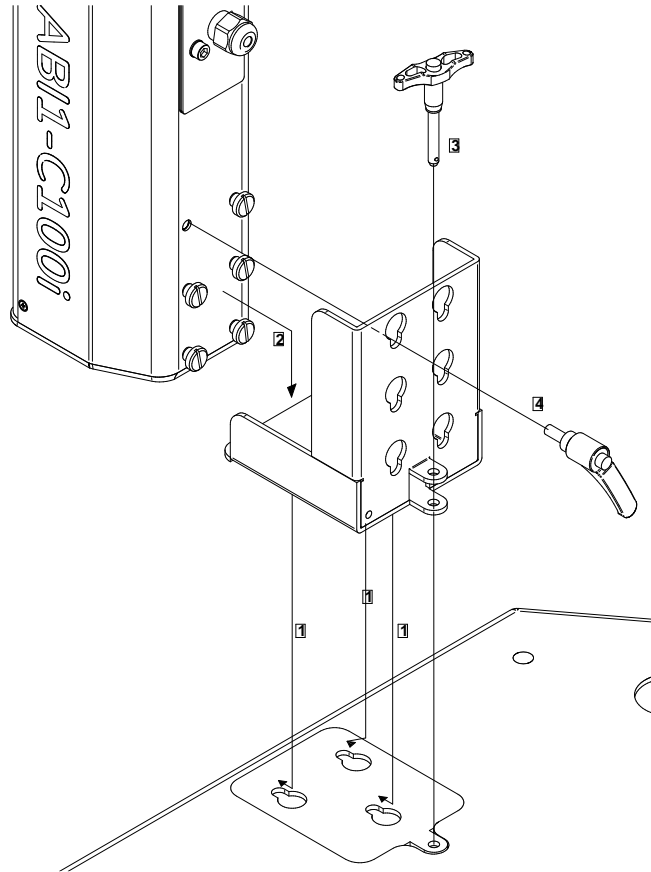
- Standard equalization (S): general equalization for standard music applications.
- Bass boost (B): +3dB to the subwoofer output for music applications with bass reinforcement.
- Voice equalization (V): the equalization emphasizes the mid-high frequencies for speech applications, enhancing intelligibility.

LABI1 SYSTEM

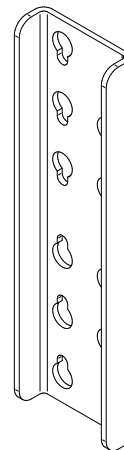
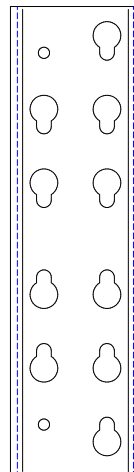
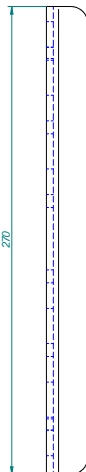
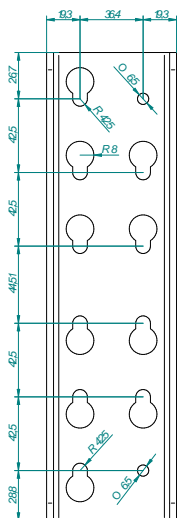
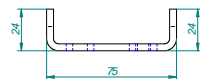
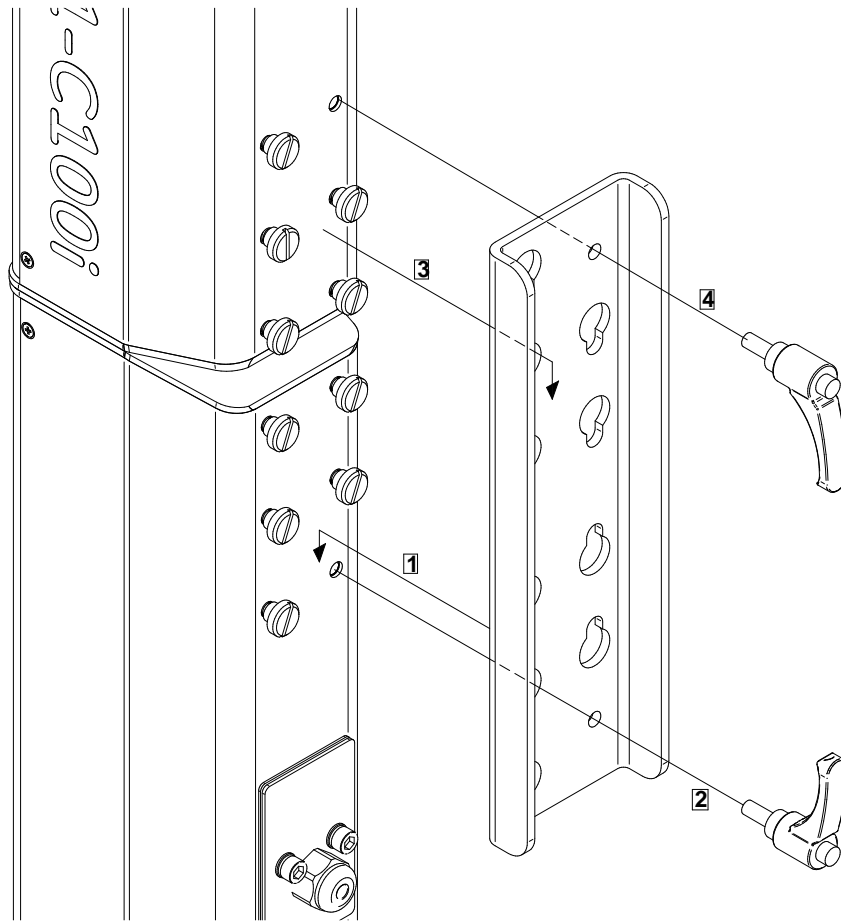


MOUNTING DIAGRAMS

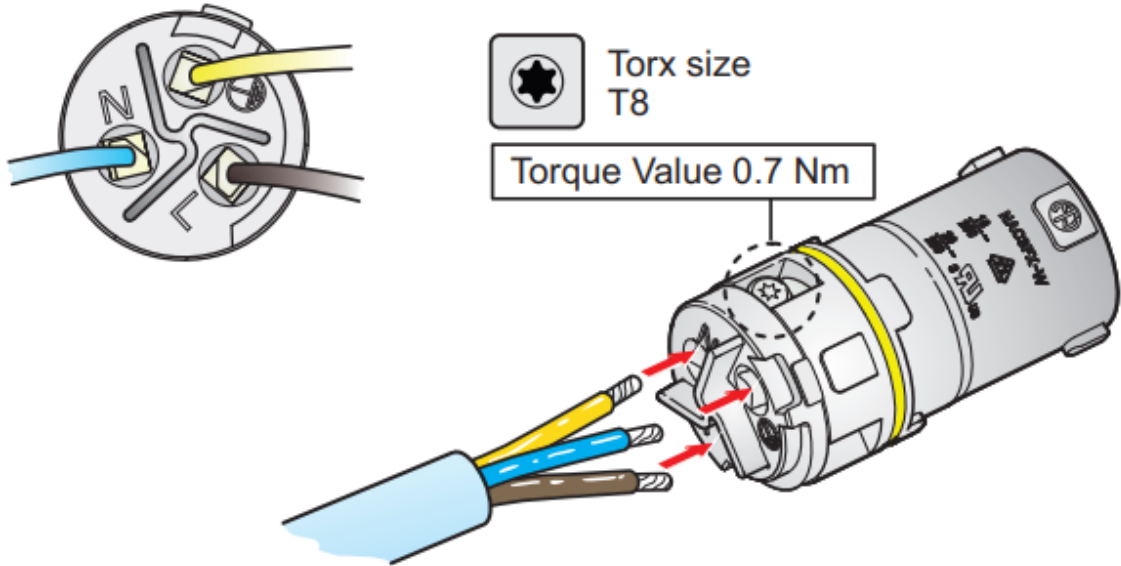
LABI1-SAC: column to sub-woofer adapter



LABI1-CAC: column to column adapter



POWER CONNECTION



[Assembly instructions](#)

[Operating instructions](#)



All product characteristics are subject to variation due to production tolerances. **NEEC AUDIO BARCELONA S.L.** reserves the right to make changes or improvements in the design or manufacturing that may affect these product specifications.

For technical requests address to your supplier, distributor or fill the contact form in our website, at Support / Technical Request.

Motors, 166-168 08038 Barcelona - Spain - (+34) 932238403 | information@ecler.com | www.ecler.com