

VIC6 / VIC6X

CEILING LOUDSPEAKERS

In-ceiling Loudspeaker w/ Back Can & Tile Bridge



PRODUCT OVERVIEW

VIC6 is an in-ceiling loudspeaker with a great sound performance. It features a 6.5" woofer + 0.5" steerable tweeter, 40WRMS @ 8ohm nominal power and 70/100V line transformer with 40/20/10/5/2,5W power connections. Includes a metallic alloy grill ready to be painted if needed. VIC series provide a careful selection of components in a user-friendly design that seeks speed and versatility of installation on any surface, while maintaining excellent sound quality.

VIC6X shares the same features as VIC6, and includes Back Can and Tile Bridge to provide more flexibility and versatile installation choices.

KEY FEATURES

- 2-way cabinet, 6,5" woofer and 0,5" steerable tweeter
- 40WRMS @ 8Ω
- Power selector: 40 / 20 / 10 / 5 / 2,5W @ 70V
40 / 20 / 10 / 5W @ 100V
8Ω position
- Sensitivity (1W/1m): 89 dB SPL
- Metallic alloy paintable grill
- Diameter: 232mm
- Depth: 105mm (VIC6) ; 170mm (VIC6X)
- Colour: White, RAL9010
- Back can (only VIC6X)
- Tile bridge (only VIC6X)

APPLICATIONS

- Corporate and residential buildings
- Commercial premises
- Leisure centres
- Health and sport centres
- Auditorium, museums
- Meeting and conference rooms

ACCESSORIES AND COMPATIBLE DEVICES

- VIC8/VIC8X & VICSB8/VICSB8X
- AVICSG
- AVICCAN6L

TECHNICAL SPECIFICATIONS

VIC6 & VIC6X

System	
Effective frequency range ¹	61 Hz-20 kHz
Coverage angle ²	VIC6: 98°x98° (HxV) VIC6X: 138°x138° (HxV)
Power handling	40 W RMS / 160 W Peak
Sensitivity ³	89 dB (1W/1m)
Maximum SLP	105 dB continuous / 111 dB peak
Power options	100V: 40W / 20W / 10W / 5W / 8Ω 70V: 40W / 20W / 10W / 5W / 2,5W / 8Ω
Recommended amplifier power	80 W RMS
Transducers	
Ways	2
Low frequency driver	6,5" woofer
High frequency driver	0,5" steerable tweeter
Nominal impedance	8Ω
Physical	
Installation options	Ceiling
Grille material	Aluminium, paintable
External diameter	232 mm / 9.13"
Internal diameter	205 mm / 8.07"
Recommended cut out diameter	206 mm / 8,11"
Required depth	VIC6: 110 mm / 4.33" VIC6X: 170 mm / 6.69"
Finished color	White (RAL 9010)
Ceiling thickness	10mm / 0.39" min 50mm / 1.97" max
Included accessories	VIC6X: Back-can and tile bridge
Dimensions (ØxD)	VIC6: 232x105mm / 8.07"x4.13" VIC6X: 232x170mm / 9.1"x6.7"
Weight	VIC6: 1.8 kg / 3.97 lb VIC6X: 2.3kg / 5 lb

¹10dB below the sound pressure level at specified sensitivity

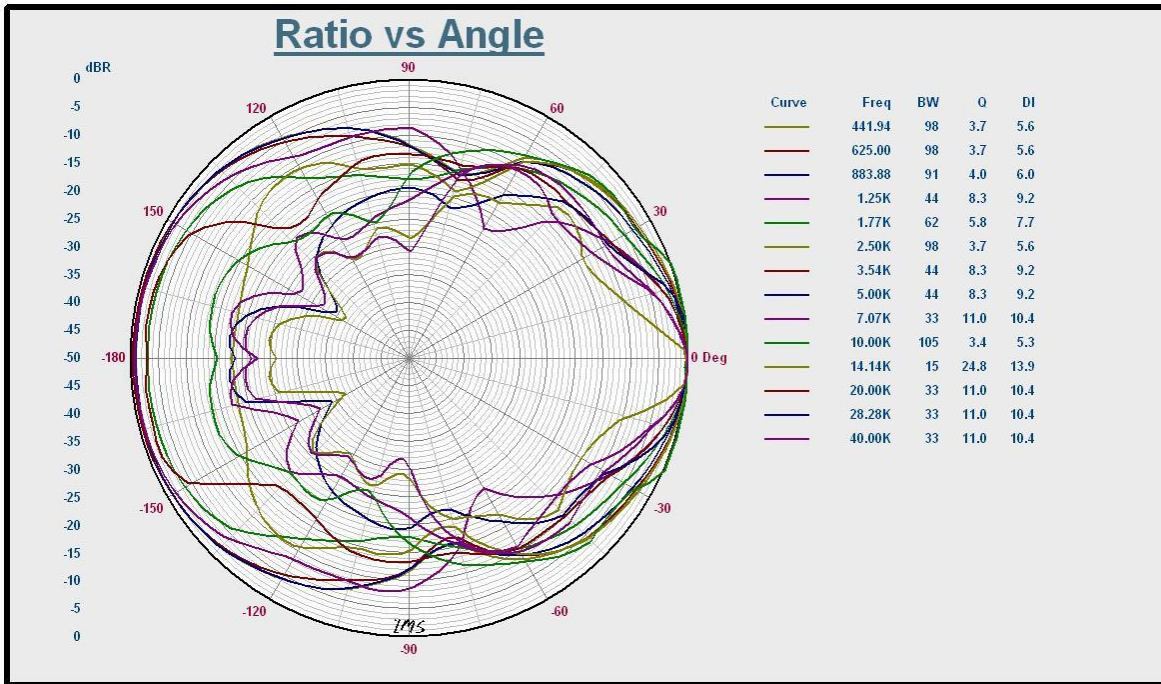
²6dB below the sound pressure level than that at the direction of maximum level. Average from 1 kHz to 4 kHz.

³Measured on-axis, far field and referenced to 1 meter by inverse square law. Average from 100 Hz to 10 kHz.

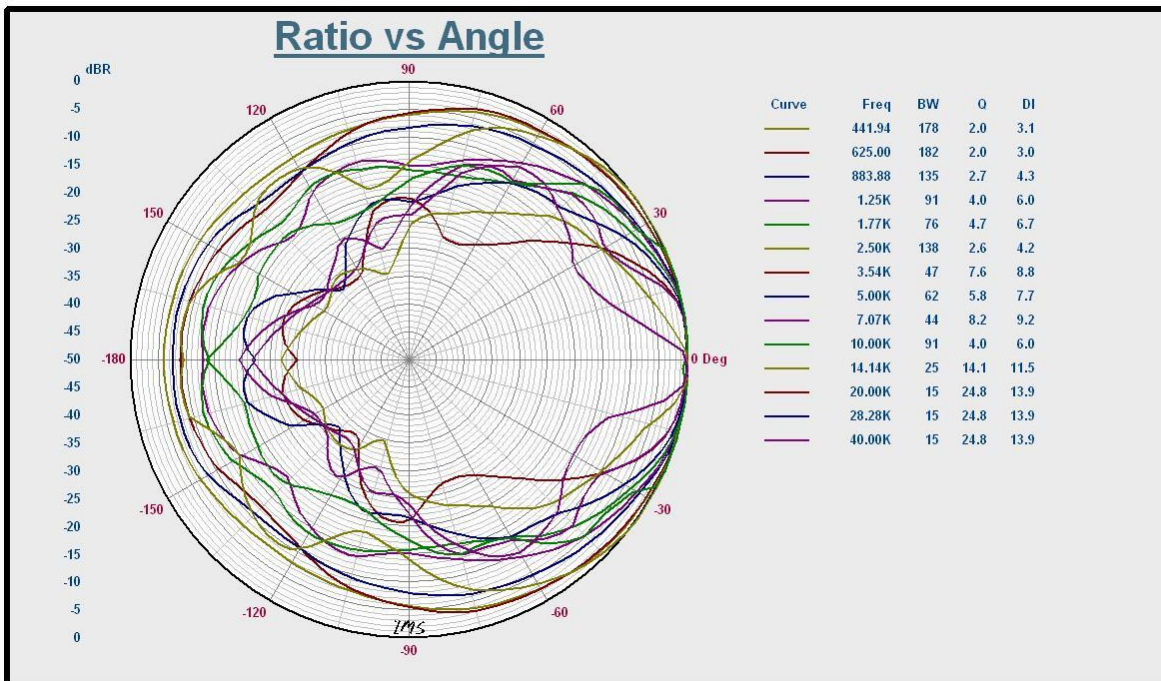
⁴Calculated from sensitivity and power handling specifications, exclusive of power compression

POLAR DIAGRAMS

VIC6

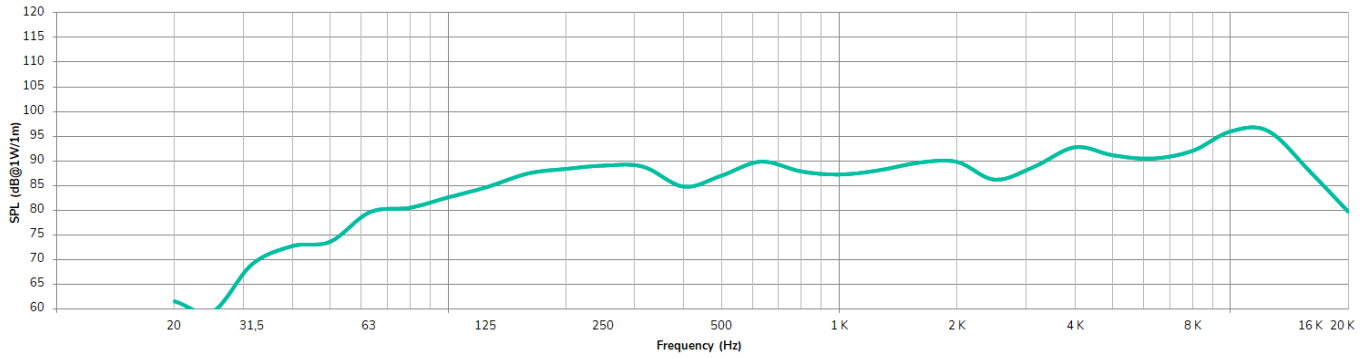


VIC6X

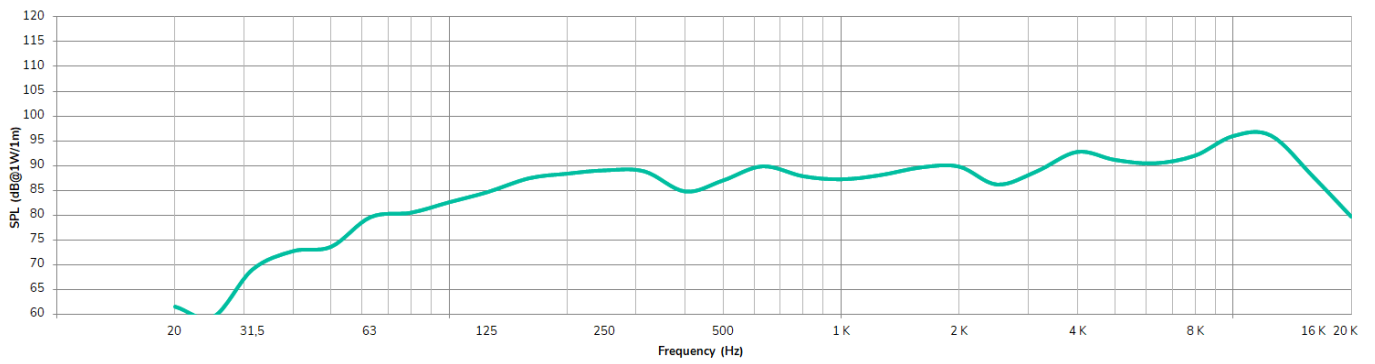


FREQUENCY RESPONSE

VIC6

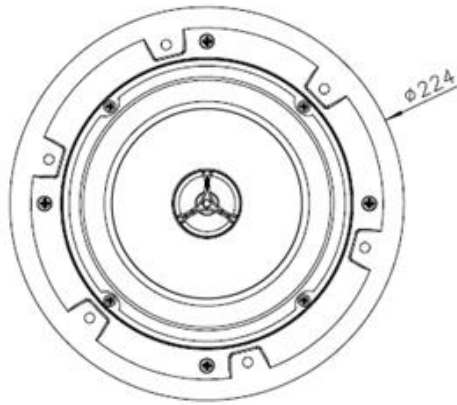
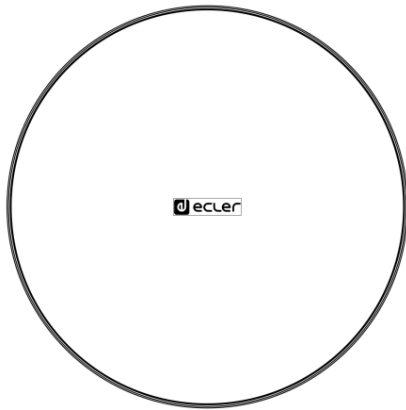


VIC6X

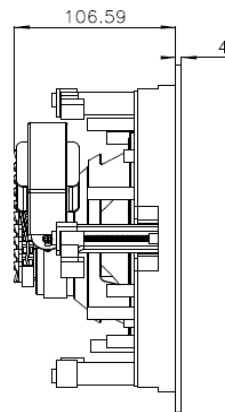
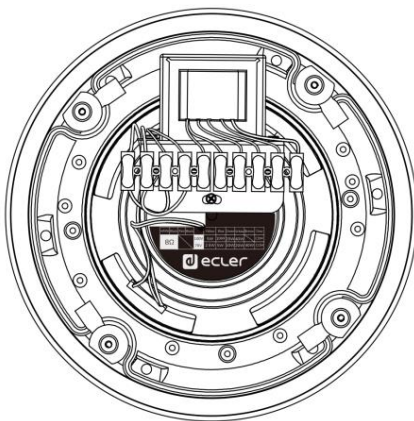


MECHANICAL DIAGRAMS

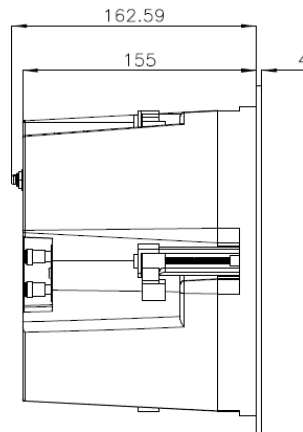
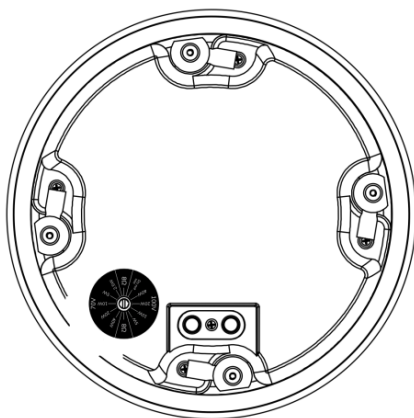
Front & grill view:



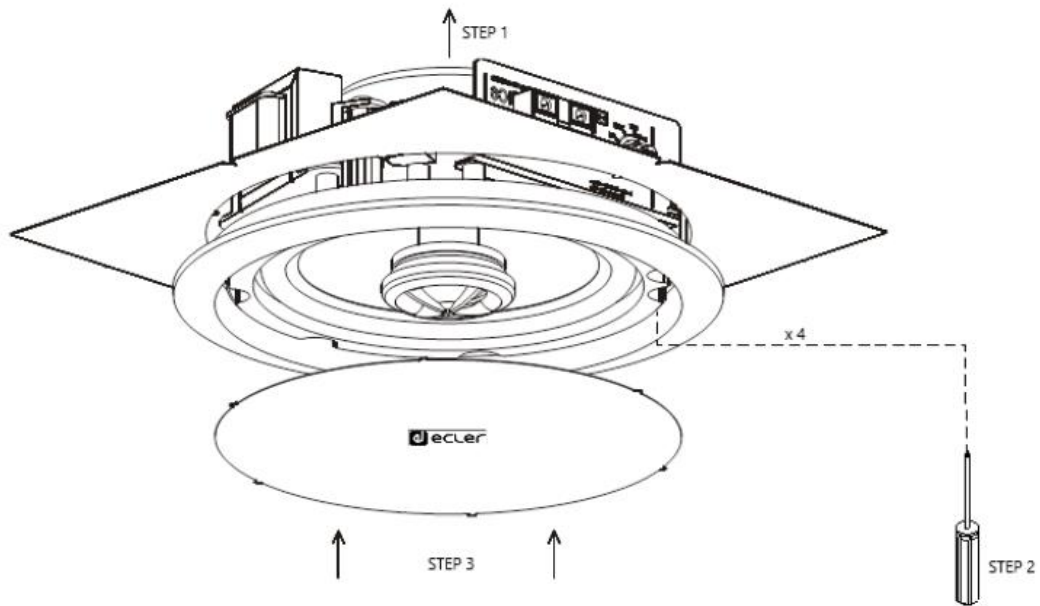
VIC6 lat & rear view:



VIC6X lat & rear view:



MOUNTING DIAGRAM





All product characteristics are subject to variation due to production tolerances. **NEEC AUDIO BARCELONA S.L.** reserves the right to make changes or improvements in the design or manufacturing that may affect these product specifications.

For technical requests address to your supplier, distributor or fill the contact form in our website, at Support / Technical Request.

Motors, 166-168 08038 Barcelona - Spain - (+34) 932238403 | information@ecler.com | www.ecler.com