

## WPaH-SL4

ANALOG CONTROLS & PANELS  
*Remote Wall Panel Control*



### PRODUCT OVERVIEW

ECLER WPaH-SL4 is a 70 / 100V V line selector (one out of 4 music program lines).

WPa is a series of remote control wall panels for systems and interconnecting audio signals. It marks a development of its predecessor, the WPM series, with a modern, elegant, discrete aesthetic, designed in collaboration with Italdesign Giugiaro.

WPa series includes surface-mount installation box

### TECHNICAL SPECIFICATIONS

#### WPaH-SL4

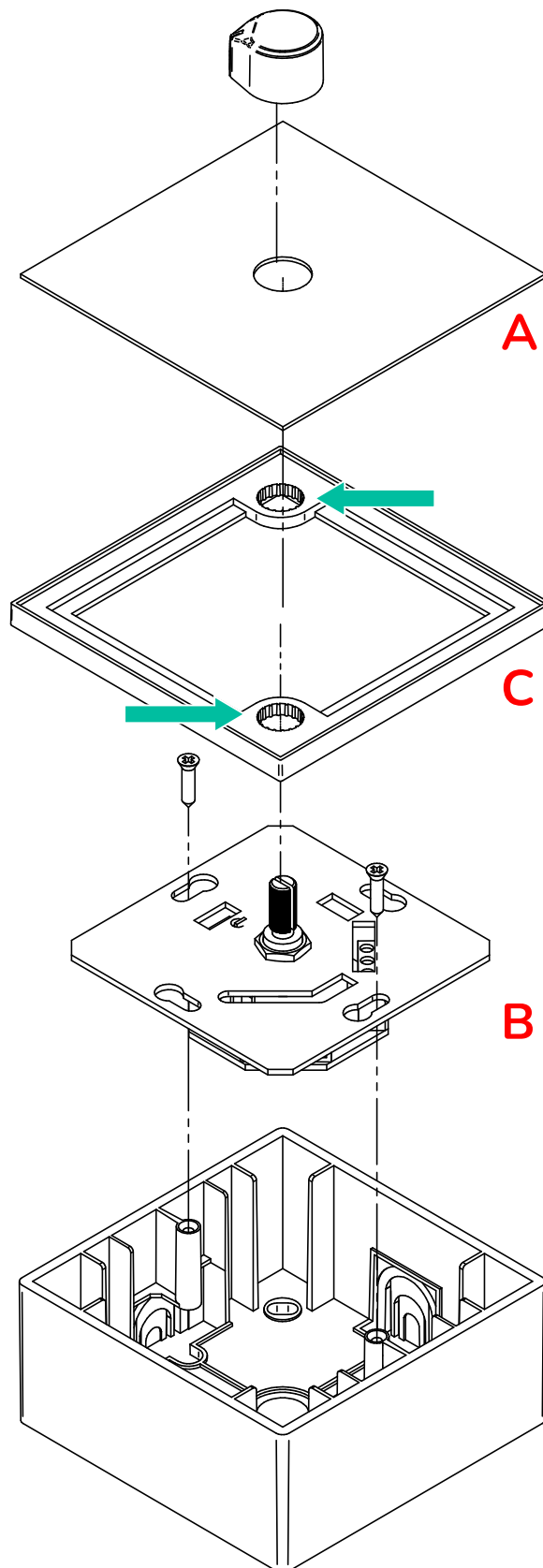
<b>Dimensions with surface-mount box (WxHxD)</b>	86 x 86 x 38 mm / 3.38" x 3.38" x 1.49"
<b>Weight</b>	0,13 Kg / 0.28 lb
<b>Finished colour</b>	White (RAL 9016)

## MOUNTING DIAGRAM

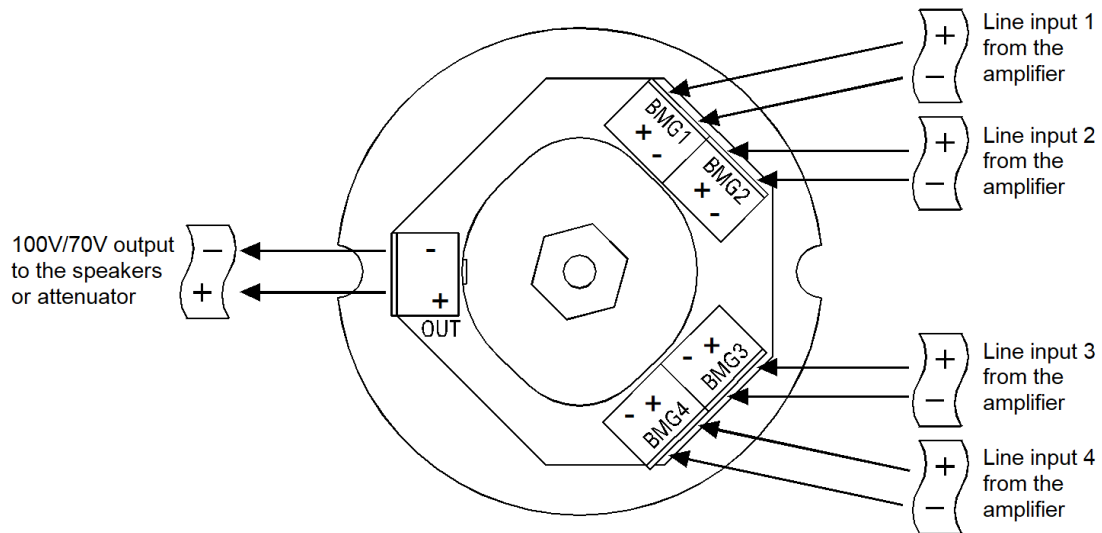
**ATTENTION**

The **C** frame **magnets** exert considerable force.

The assembly of parts **A** and **B** must be done with caution in order to avoid damaging the **C** frame lining.



CONNECTION DIAGRAM



All product characteristics are subject to variation due to production tolerances. **NEEC AUDIO BARCELONA S.L.** reserves the right to make changes or improvements in the design or manufacturing that may affect these product specifications.

For technical requests address to your supplier, distributor or fill the contact form in our website, at [Support / Technical Request](#).

Motors, 166-168 08038 Barcelona - Spain - (+34) 932238403 | [information@ecler.com](mailto:information@ecler.com) | [www.ecler.com](http://www.ecler.com)