

WPaH-AT40

ANALOG CONTROLS & PANELS
Remote Wall Panel Control



PRODUCT OVERVIEW

The WPaH-AT40 is a 70/100 V line attenuator, with an integrated 24 VDC priority relay. Maximum output power: 40 W

WPa is a series of remote control wall panels for systems and interconnecting audio signals. It marks a development of its predecessor, the WPM series, with a modern, elegant, discrete aesthetic, designed in collaboration with Italdesign Giugiaro.

WPa series includes surface-mount installation box

TECHNICAL SPECIFICATIONS

WPaH-AT40

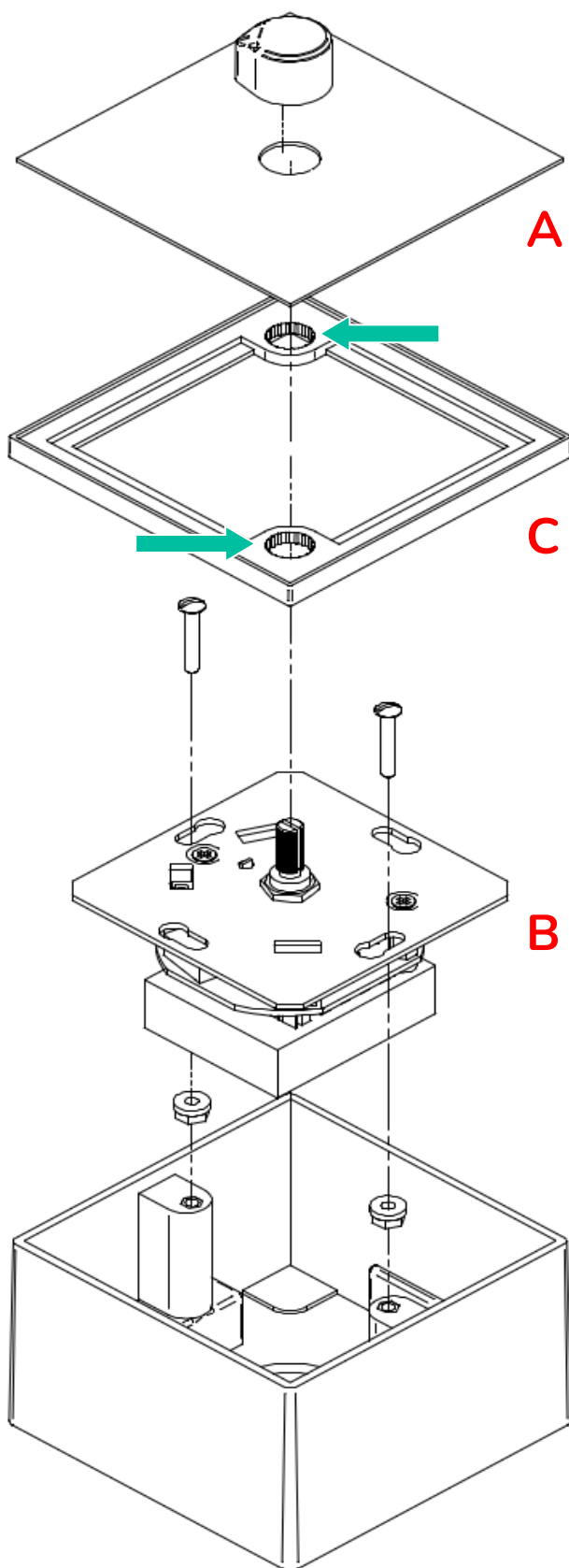
Dimensions with surface-mount box (WxHxD)	86 x 86 x 50 mm / 3.38" x 3.38" x 1.96"
Weight	0,50 Kg / 1.10 lb
Finished colour	White (RAL 9016)

MOUNTING DIAGRAM

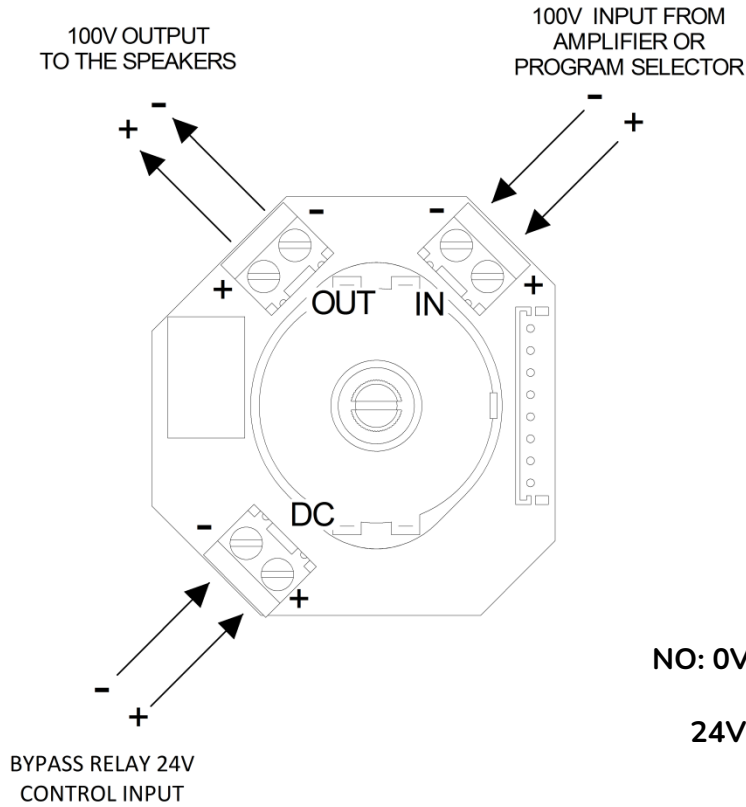
**ATTENTION**

The **C** frame magnets exert considerable force.

The assembly of parts **A** and **B** must be done with caution in order to avoid damaging the **C** frame lining.



CONNECTION DIAGRAM



NO: 0VDC = Relay open (bypass inactive)

24VDC = Relay closed (bypass active)

All product characteristics are subject to variation due to production tolerances. **NEEC AUDIO BARCELONA S.L.** reserves the right to make changes or improvements in the design or manufacturing that may affect these product specifications.

For technical requests address to your supplier, distributor or fill the contact form in our website, at [Support / Technical Request](#).

Motors, 166-168 08038 Barcelona - Spain - (+34) 932238403 | information@ecler.com | www.ecler.com