

IC6CLASS-54

IN CEILING/IN-WALL LOUDSPEAKERS

EN54-24 Certified In-ceiling / In-wall Loudspeaker



PRODUCT OVERVIEW

IC6CLASS-54 is a low and high impedance 2-way loudspeaker which features a design in accordance with EN54-24 standard (Fire detection and fire alarm systems, Voice alarms - Loudspeakers), including a back can, ceramic connection terminals, thermal fuse and Internal FR wiring. It integrates a very careful and efficient selection of components (6.5" woofer + 1" tweeter), together with a mechanical design that provide a high quality audio ("Hi-Fidelity" profile sound) and a very fast installation process, just using a basic set of tools.

KEY FEATURES

- EN54-24 certified
- 2-ways in-ceiling/in-wall loudspeaker
- High impedance built-in transformer, allowing for 70V / 100V line applications (5 different power tapings available)
- Low/high impedance power selection accessible from the front panel, once the loudspeaker is already installed in the ceiling
- 6.5" Kevlar® woofer
- 1" Silk dome (ACCW) tweeter
- Aluminium front grill
- Back can included
- Ceramic connection terminals
- Thermal fuse
- Internal fireproof wiring
- Fast installation procedure using a basic set of tools

APPLICATIONS

- EN54-24 standard compliance
- Corporate and residential buildings
- Commercial premises, retail shops
- Leisure centres
- Sound reinforcement in clubs, bars, etc.
- Health and sports centres
- Meeting and conference rooms
- 5.1 and 7.1 surround systems
- Auditoriums, museums

CERTIFICATIONS

- EN54-24

TECHNICAL SPECIFICATIONS

NOTE: specifications indicated below are exposed according the EN54 standard. However, IC6CLASS-54 can be considered as a **16 Ω and 75WRMS** loudspeaker in use when connected to low impedance lines.

IC6CLASS-54

System	
Effective frequency range	75 Hz-20 kHz
Coverage angle	70°x80° (HxV)
Power handling	30 W RMS / 120 W Peak
Sensitivity	84 dB (1W/1m)
Maximum SPL	99 dB
Power options	100V: 30W / 20W / 15W / 7,5W / 3W / 12 Ω 70V: 15W / 10W / 7,5W / 3,7W / 1,5W / 12 Ω
Recommended amplifier power	60 W RMS
Transducers	
Ways	2
Low frequency driver	6.5" Kevlar woofer
High frequency driver	1" Silk dome (ACCW) tweeter
Nominal impedance	12 Ω
Physical	
Connection type	Ceramic terminals
Power type selector	Built-in transformer
Installation options	In-ceiling, in-wall
Certifications	EN54-24
Grille material	Aluminium
External diameter	270 mm / 10.63"
Internal diameter	224,5 mm / 8.84"
Recommended cut out diameter	227 mm / 8.93"
Required depth	175 mm / 6.89"
Finished color	White (RAL 9003)
Ceiling thickness	No limit min 40mm / 1.57" max
Included accessories	Back can included
Weight	3.1 kg / 6.83 lb

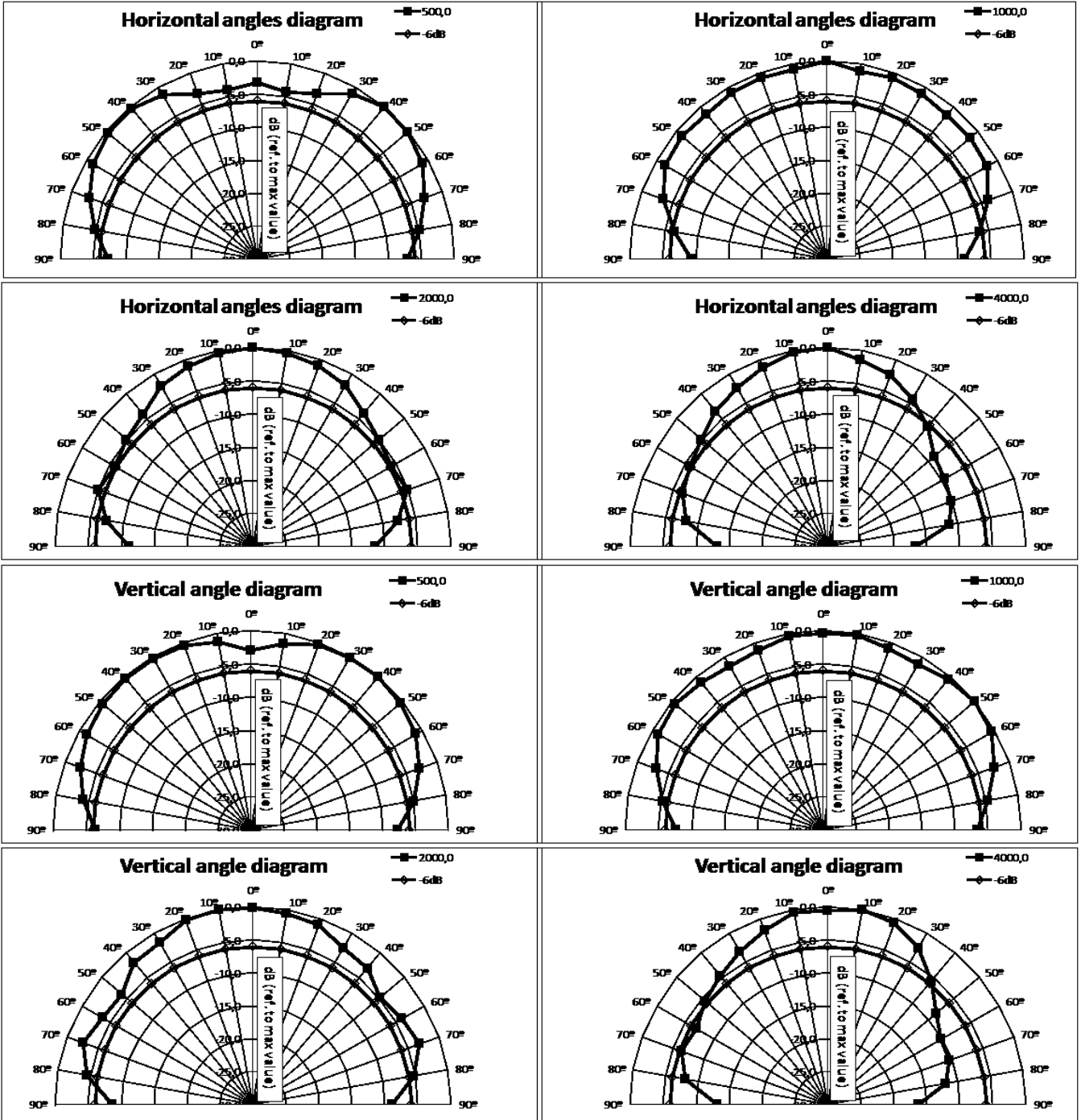
COVERAGE ANGLES

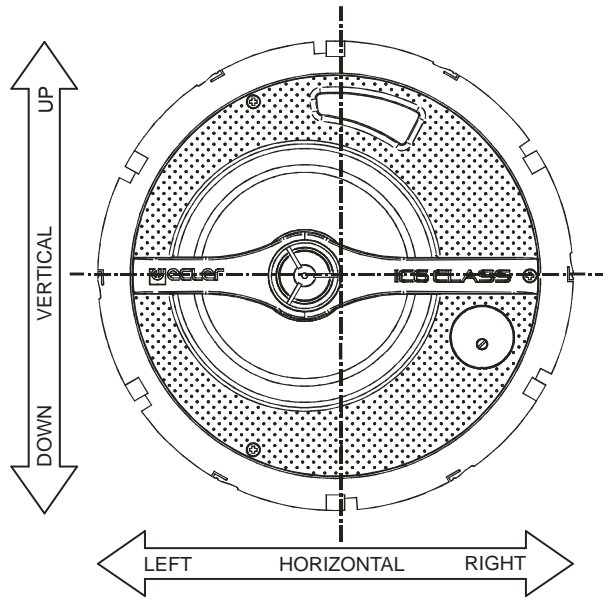
Coverage angles (max. angle that shows less than 6dB loss from maximum radiation direction):

Freq (Hz)	Up	Down
500	80°	80°
1000	80°	80°
2000	80°	80°
4000	40°	50°

Freq (Hz)	Left	Right
500	80°	80°
1000	70°	70°
2000	70°	70°
4000	60°	60°

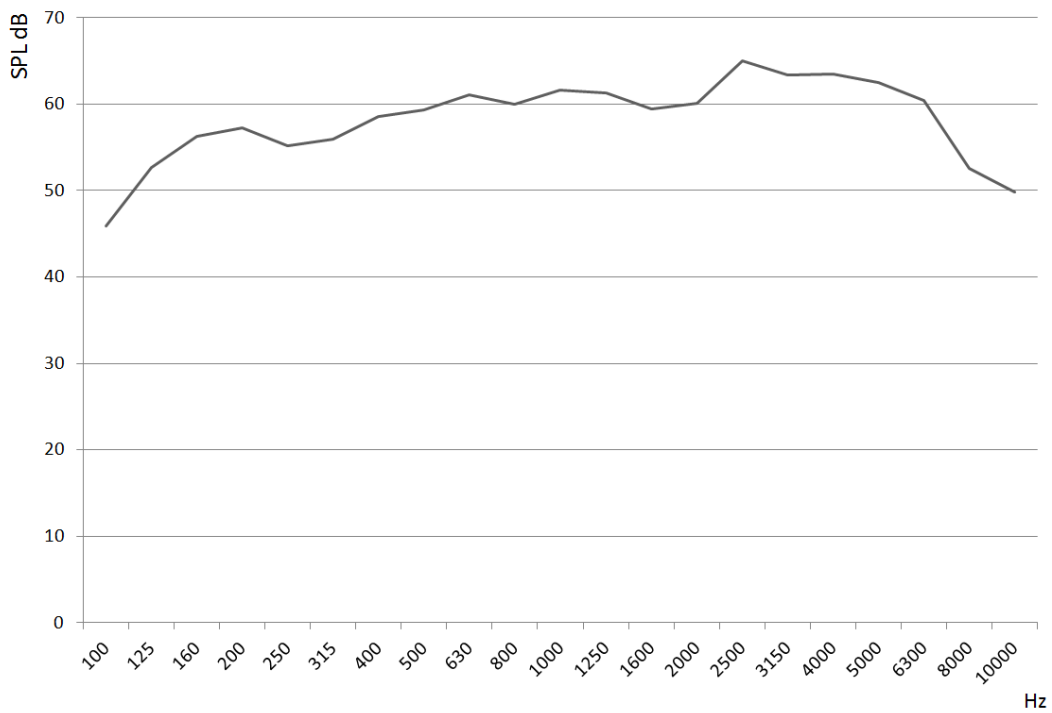
COVERAGE DIAGRAMS

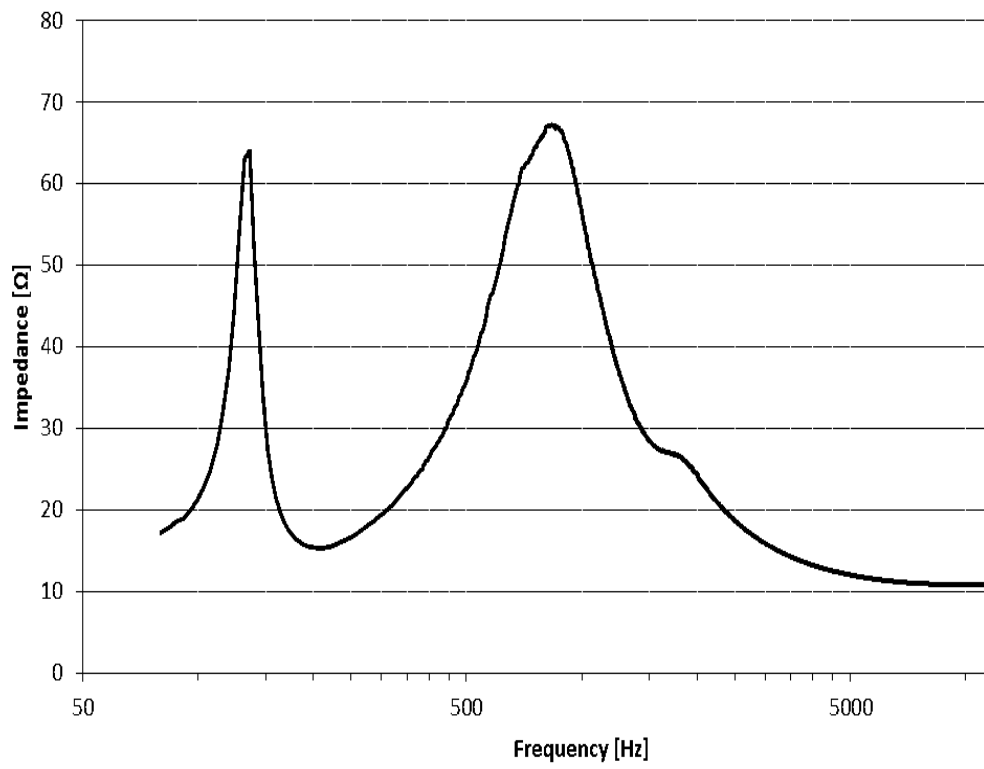




Note: Audio specs in free field conditions, with sample mounted on a standard baffle made of acoustically reflective surface

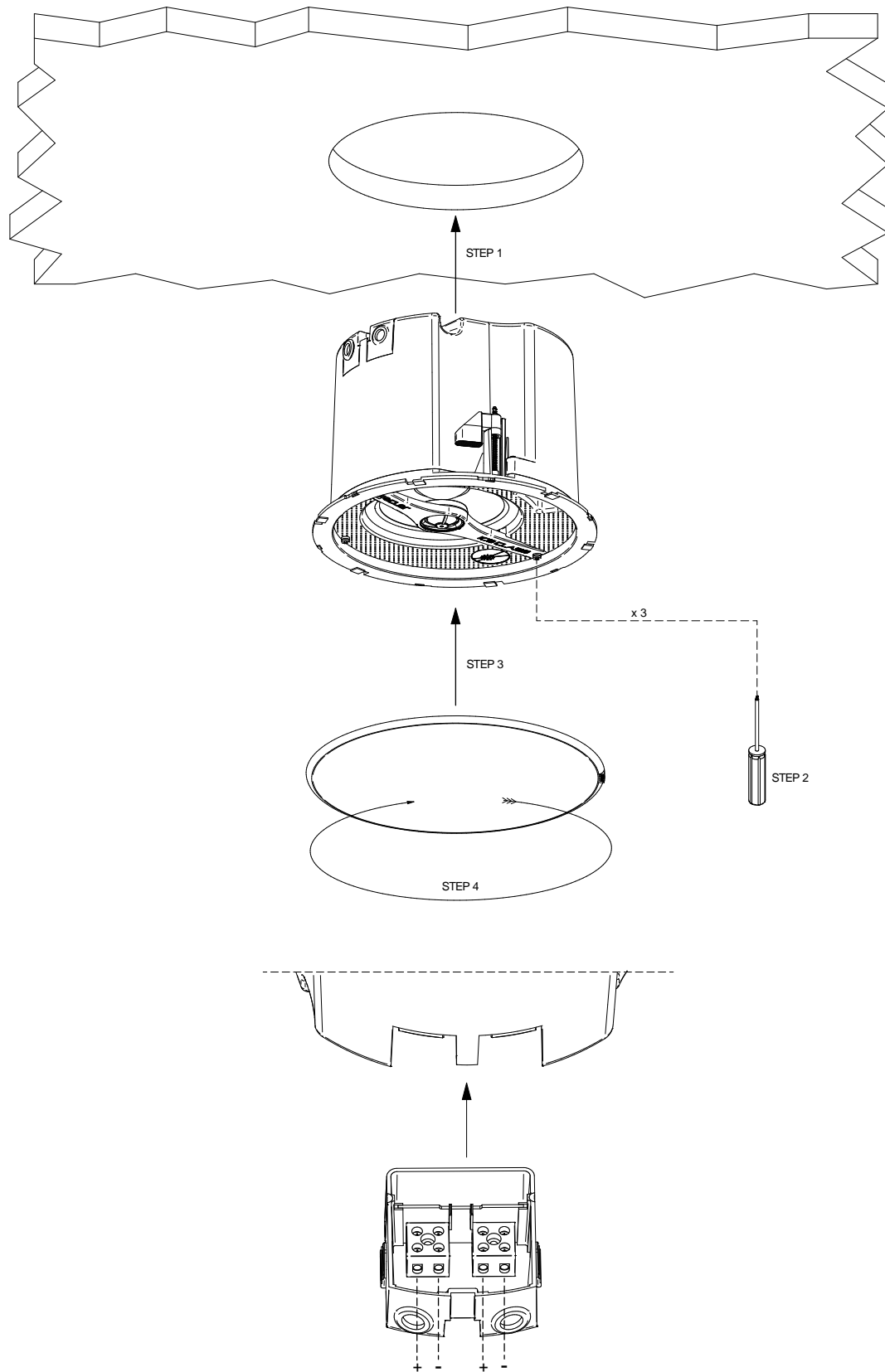
FREQUENCY RESPONSE AND IMPEDANCE VS. FREQUENCY





NOTE: Frequency response measured on-axis with recommended active EQ in an anechoic environment

MOUNTING DIAGRAM





All product characteristics are subject to variation due to production tolerances. **NEEC AUDIO BARCELONA S.L.** reserves the right to make changes or improvements in the design or manufacturing that may affect these product specifications.

For technical requests address to your supplier, distributor or fill the contact form in our website, at [Support / Technical Request](#).

Motors, 166-168 08038 Barcelona - Spain - (+34) 932238403 | information@ecler.com | www.ecler.com