

## UBWPaCNX-JRC

### ANALOG CONTROLS & PANELS

#### Remote Wall-panel Connection



### PRODUCT OVERVIEW

UBWPaCNX-JRC is a connection wall-panel, in US single gang bare format, with 1 x stereo minijack and 2 x RCA connectors. This connector can be screwed at the rear (does not require any soldering).

### KEY FEATURES

- US single gang bare format
- Dimensions (WxHxD): 1.4x2.5x1.4 in
- Euroblock connectors
- Finished in white colour (RAL 9003)
- Compatible with US gang multi-panel installation

### APPLICATIONS

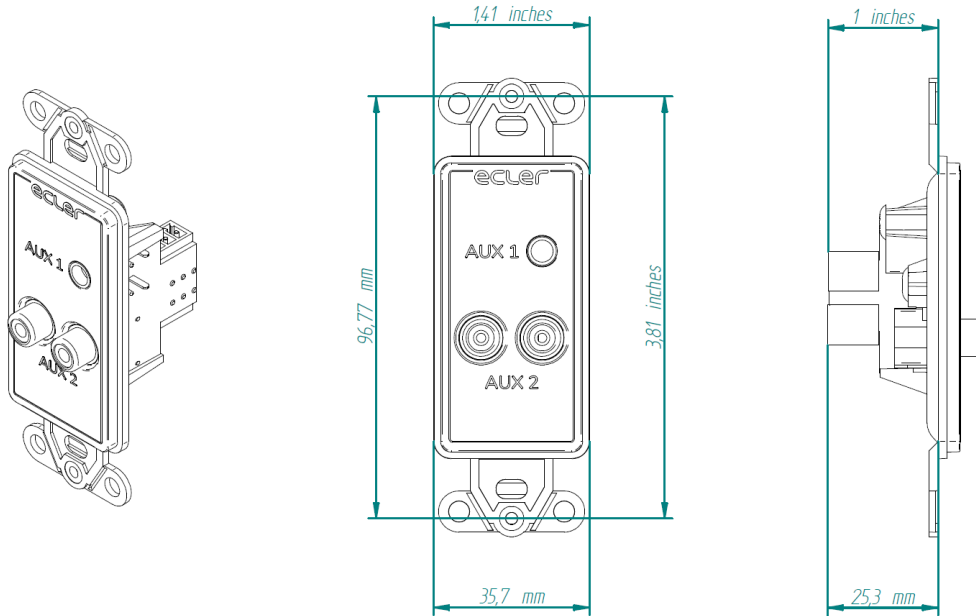
- Retail
- Corporate
- Leisure

### TECHNICAL SPECIFICATIONS

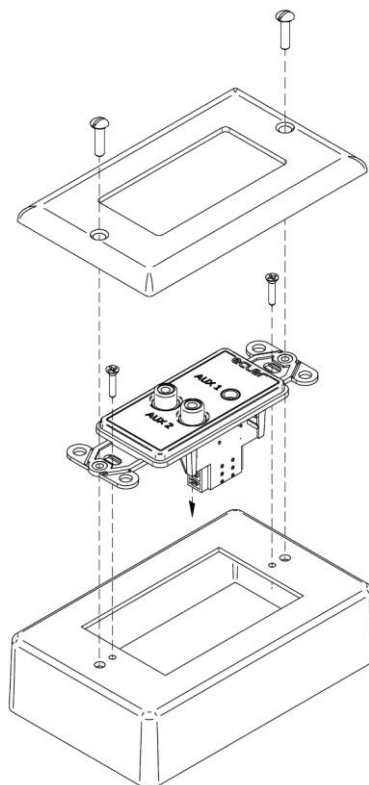
#### UBWPaCNX-JRC

Format	NEMA Single gang
Connectors	Euroblock 3-pin
Finished Colour	White (RAL 9003)
Dimensions	35x65x35mm / 1.4x2.5x1.4 in (WxHxD)
Weight	30 grs / 0.07 lb.

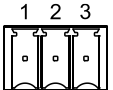
MECHANICAL DIAGRAM

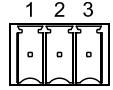


MOUNTING DIAGRAM



CONNECTION DIAGRAM

Terminal Block Diagram (mini-jack / AUX1)		
Pin 1	SLEEVE	
Pin 2	RING	
Pin 3	TIP	

Terminal Block Diagram (RCA / AUX2)		
Pin 1	GND	
Pin 2	RIGHT CHANNEL	
Pin 3	LEFT CHANNEL	

All product characteristics are subject to variation due to production tolerances. **NEEC AUDIO BARCELONA S.L.** reserves the right to make changes or improvements in the design or manufacturing that may affect these product specifications.

For technical requests address to your supplier, distributor or fill the contact form in our website, at [Support / Technical Request](#).

Motors, 166-168 08038 Barcelona - Spain - (+34) 932238403 | [information@ecler.com](mailto:information@ecler.com) | [www.ecler.com](http://www.ecler.com)