

WPaVOLUS

ANALOG CONTROLS & PANELS

Remote Wall Panel Control



PRODUCT OVERVIEW

WPaVOLUS is a remote wall panel control for one volume management, which keeps the standard format of the WPa series (US model). It is compatible with all ECLER devices with 0-10VDC remote control port.

KEY FEATURES

- WPa series, US format
- Dimensions (WxHxD):
116.5 x 114.8 x 30.8 mm / 4.6 x 4.5 x 1.21 in.
- RJ45 port
- Compatible with US electrical box

APPLICATIONS

- Retail
- Corporate
- Leisure

ACCESSORIES & COMPATIBLE PRODUCTS

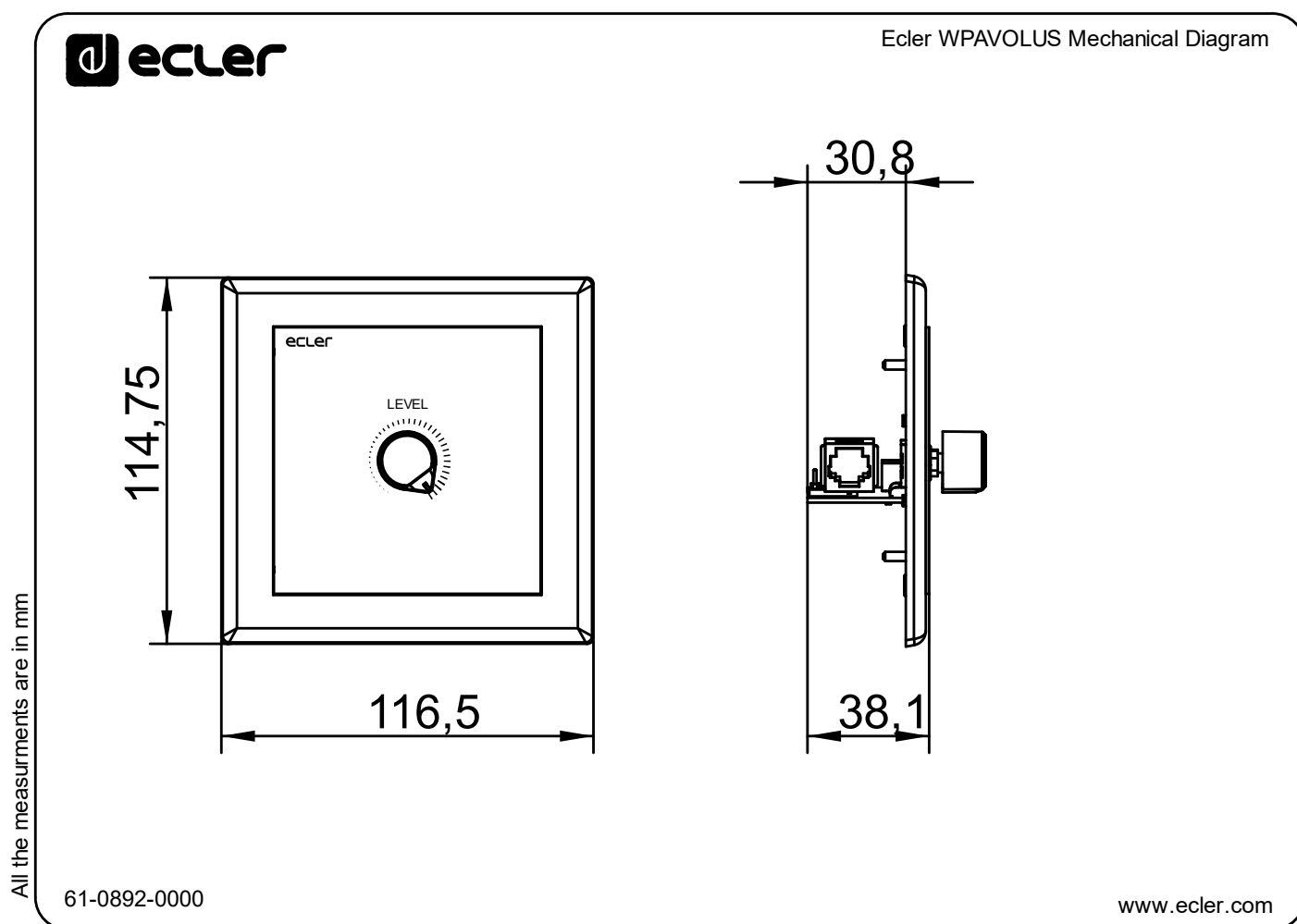
- Any Ecler device with 0-10VDC port: NXA series, GPA series, MIMO88, MPA-R, ALMA, CA series

TECHNICAL SPECIFICATIONS

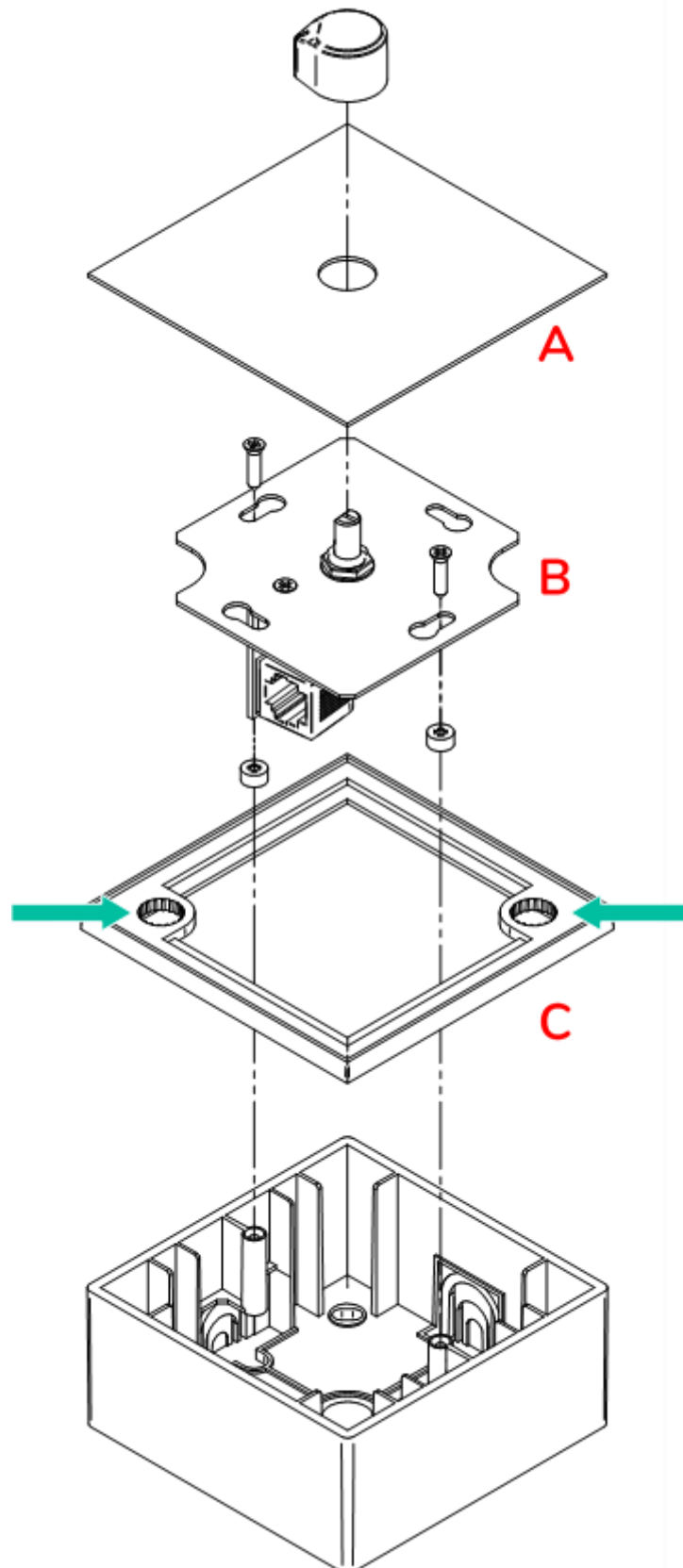
WPaVOLUS

| | |
|---------------------------|---|
| Dimensions (WxHxD) | 116.5 x 114.8 x 30.8 mm / 4.6 x 4.5 x 1.21 in. Compatible with US electrical box |
| Weight | 0,13Kg / 0.28 lb |
| Connectors | RJ45 |
| Finished colour | White (RAL 9016) |

MECHANICAL DIAGRAM



MOUNTING DIAGRAM

**ATTENTION**

The **C** frame magnets exert considerable force.

The assembly of parts **A** and **B** must be done with caution in order to avoid damaging the **C** frame lining.

CONNECTION DIAGRAM

| RJ-45 Diagram | | |
|---------------|--------------|---|
| Pin 1 | White Orange | GND |
| Pin 2 | Orange | REMOTE VOL (10V÷0V → MIN÷MAX) |
| Pin 3 | White Green | GND |
| Pin 4 | Blue | N.C. |
| Pin 5 | White Blue | N.C. |
| Pin 6 | Green | VCC (+12V/+10V) |
| Pin 7 | White Brown | GND |
| Pin 8 | Brown | REMOTE ZONE (0, 3, 5, 7, 10V → OFF, Z1, Z2, Z3, Z4) |

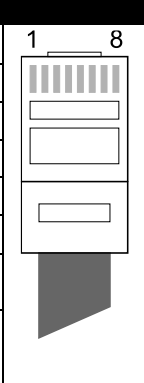
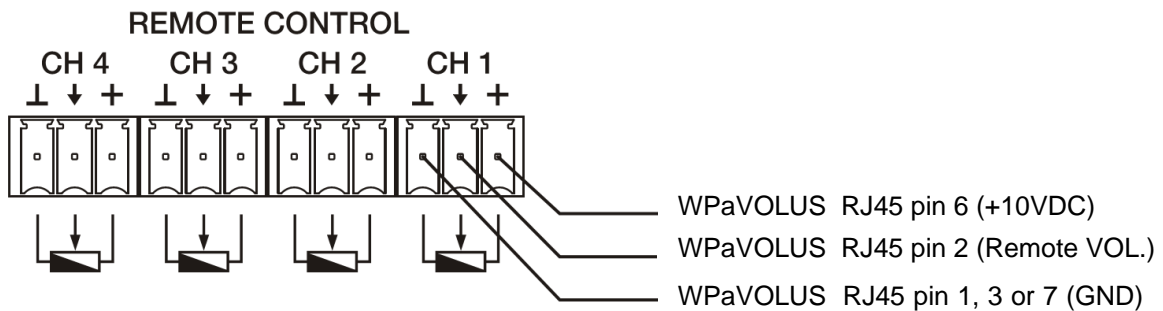


Table 1: RJ-45 connection diagram



Connection of WPaVOLUS to remote-control ports

All product characteristics are subject to variation due to production tolerances. **NEEC AUDIO BARCELONA S.L.** reserves the right to make changes or improvements in the design or manufacturing that may affect these product specifications.

For technical queries contact your supplier, distributor or complete the contact form on our website, in [Support / Technical requests](#).