

# WPaVOL-SRUS

## ANALOG CONTROLS & PANELS

### Wall Panel Volume Management & Source Selection



## PRODUCT OVERVIEW

**WPaVOL-SRUS** is a remote wall panel control for volume management and source/pre-adjust selection, which keep the standard format of the WPa series (US model). It is compatible with all ECLER devices with 0-10VDC remote control port.

## KEY FEATURES

- WPa series, US format
- Dimensions (WxHxD):  
116.5 x 114.8 x 27 mm / 4.6 x 4.5 x 1.23 in.
- RJ45 connector
- Compatible with US electrical box

## APPLICATIONS

- Retail
- Corporate
- Leisure

## ACCESSORIES & COMPATIBLE PRODUCTS

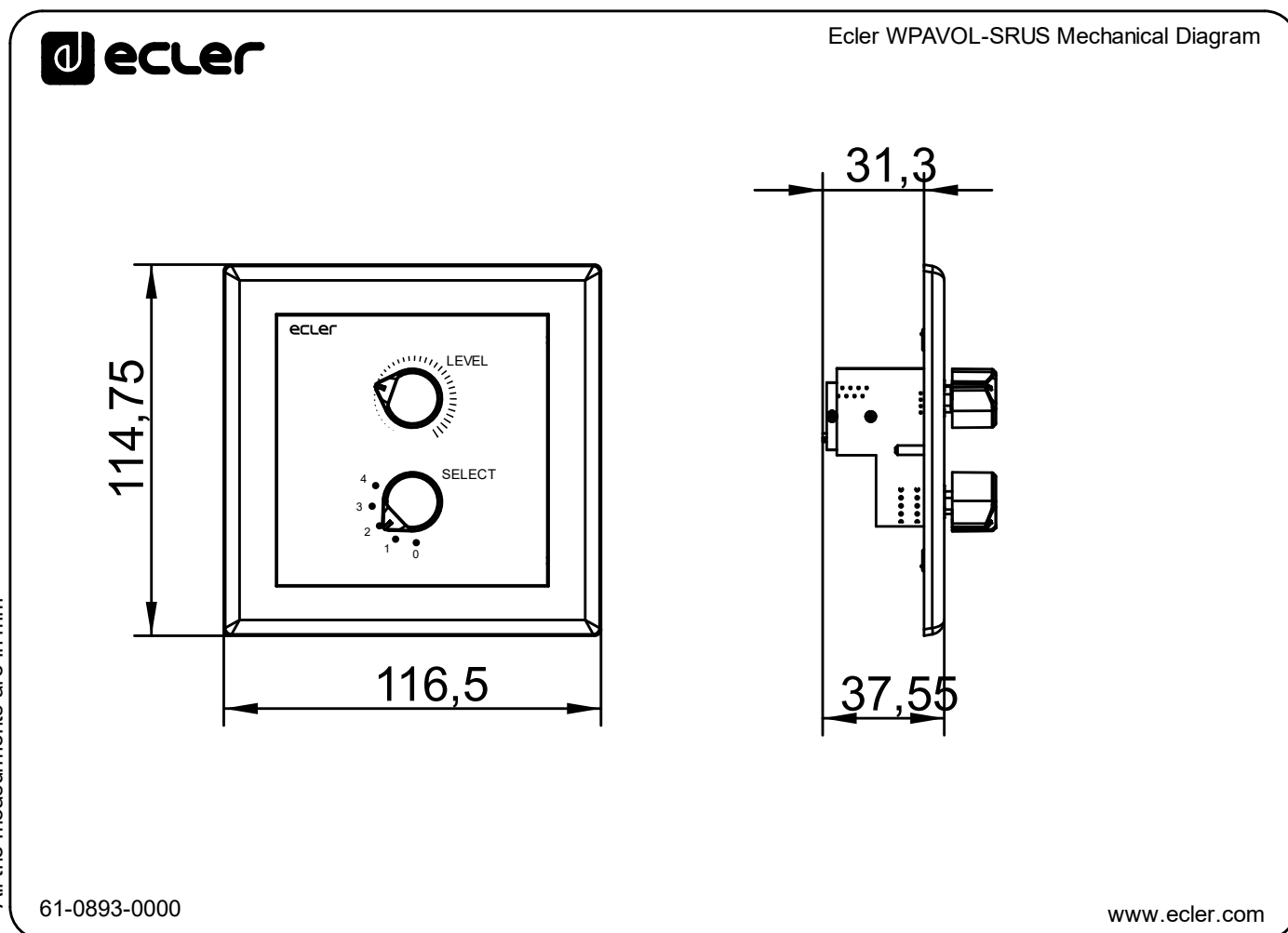
- Any Ecler device with 0-10VDC port: NXA series, GPA series, MIMO88, MPA-R, ALMA, CA series

TECHNICAL SPECIFICATIONS

WPaVOL-SRUS

<b>Dimensions (WxHxD)</b>	116.5 x 114.8 x 31.3 mm / 4.6 x 4.5 x 1.23 in. Compatible with US electrical box
<b>Weight</b>	0,14Kg / 0.30 lb
<b>Connectors</b>	RJ45
<b>Finished colour</b>	White (RAL 9016)

MECHANICAL DIAGRAM



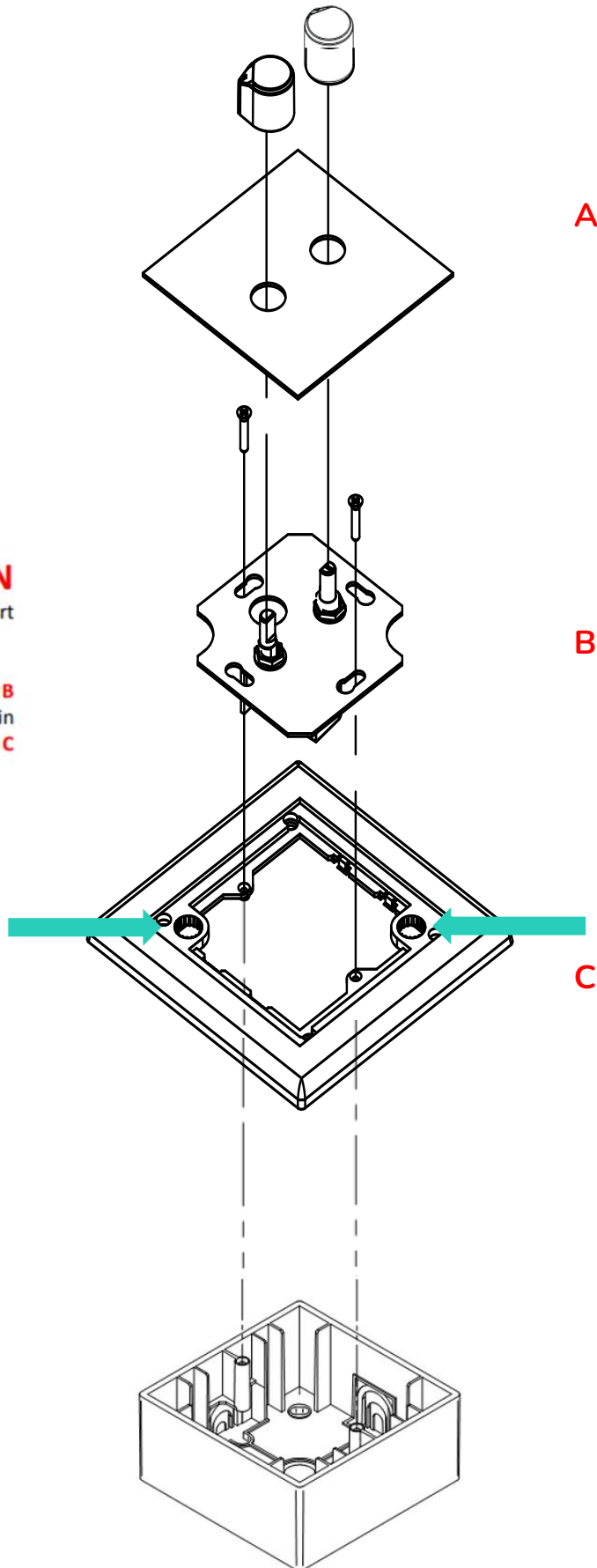
MOUNTING DIAGRAM



**ATTENTION**

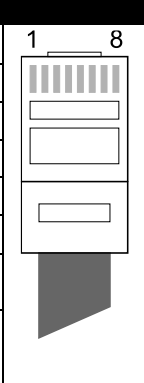
The **C** frame magnets exert considerable force.

The assembly of parts **A** and **B** must be done with caution in order to avoid damaging the **C** frame lining.

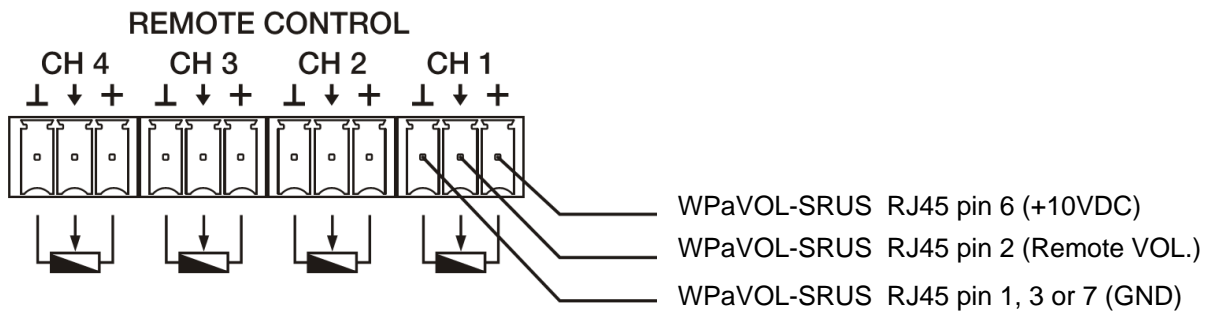


CONNECTION DIAGRAM

RJ-45 Diagram		
Pin 1	White Orange	GND
Pin 2	Orange	REMOTE VOL (10V÷0V → MIN÷MAX)
Pin 3	White Green	GND
Pin 4	Blue	N.C.
Pin 5	White Blue	N.C.
Pin 6	Green	VCC (+12V/+10V)
Pin 7	White Brown	GND
Pin 8	Brown	REMOTE ZONE (0, 3, 5, 7, 10V → OFF, Z1, Z2, Z3, Z4)



RJ-45 connection diagram



Connection of WPaVOL-SRUS to remote-control ports

All product characteristics are subject to variation due to production tolerances. **NEEC AUDIO BARCELONA S.L.** reserves the right to make changes or improvements in the design or manufacturing that may affect these product specifications.

For technical queries contact your supplier, distributor or complete the contact form on our website, in [Support / Technical requests](#).