

## VIC6X

### CEILING LOUDSPEAKERS

*In-ceiling Loudspeaker w/ Back Can & Tile Bridge*



### PRODUCT OVERVIEW

VIC6X is an in-ceiling loudspeaker with a great sound performance. It features a 6.5" woofer + 0.5" steerable tweeter, 40WRMS @ 8ohm nominal power and 70/100V line transformer with 40/20/10/5/2,5W power connections. Includes a metallic alloy grill ready to be painted if needed. VIC series provide a careful selection of components in a user-friendly design that seeks speed and versatility of installation on any surface, while maintaining excellent sound quality.

In addition, it includes Back Can and Tile Bridge to provide more flexibility and versatile installation choices.

### KEY FEATURES

- 2-way cabinet, 6,5" woofer and 0,5" steerable tweeter
- 40WRMS @ 8Ω
- Power selector: 40 / 20 / 10 / 5 / 2,5W @ 70V  
40 / 20 / 10 / 5W @ 100V  
8Ω position
- Sensitivity (1W/1m): 91 dB SPL
- Metallic alloy paintable grill
- Diameter: 232mm
- Depth: 170mm
- Colour: White, RAL9010
- Back can
- Tile bridge

### APPLICATIONS

- Corporate and residential buildings
- Commercial premises
- Leisure centres
- Health and sport centres
- Auditorium, museums
- Meeting and conference rooms

### ACCESSORIES AND COMPATIBLE DEVICES

- VIC8/MIC8X & VICSB8/MICSB8X
- AVICSG
- AVICCAN6L

## TECHNICAL SPECIFICATIONS

### VIC6X

System	
Effective frequency range <sup>1</sup>	85Hz-20kHz
Coverage angle <sup>2</sup>	166° conical
Power handling	40 W RMS / 160 W Peak
Sensitivity <sup>3</sup>	91 dB (1W/1m)
Maximum SPL <sup>4</sup>	107 dB continuous / 113 dB peak
Power options	100V: 40W / 20W / 10W / 5W / 8Ω 70V: 40W / 20W / 10W / 5W / 2,5W / 8Ω
Recommended amplifier power	80 W RMS
Transducers	
Ways	2
Low frequency driver	6,5" woofer
High frequency driver	0,5" steerable tweeter
Nominal impedance	8Ω
Physical	
Installation options	Ceiling
Grille material	Paintable metallic alloy
External diameter	232 mm / 9.13"
Internal diameter	205 mm / 8.07"
Recommended cut out diameter	206 mm / 8,11"
Required depth	170 mm / 6.69"
Finished color	White (RAL 9010)
Ceiling thickness	10mm / 0.39" min 50mm / 1.97" max
Included accessories	Back-can and tile bridge
Dimensions (ØxD)	232x170mm / 9.1"x6.7"
Weight	2.3kg / 5 lb

<sup>1</sup>10dB below the sound pressure level at specified sensitivity

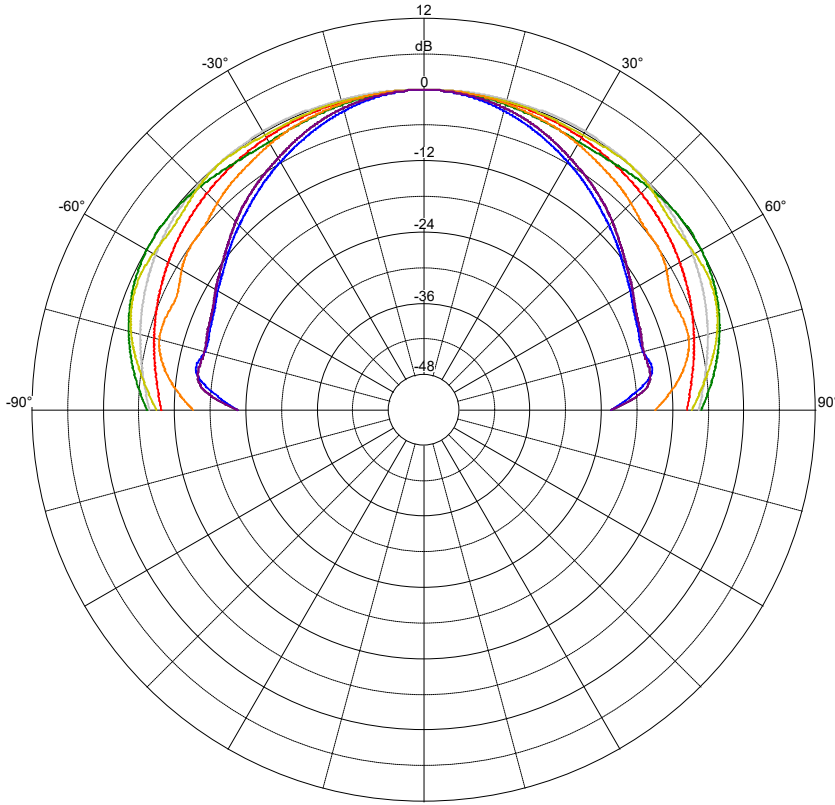
<sup>2</sup>6dB below the sound pressure level than that at the direction of maximum level, Average from 1 kHz to 4 kHz.

<sup>3</sup>Measured on-axis, far field and referenced to 1 meter by inverse square law. Average from 100 Hz to 10 kHz.

<sup>4</sup>Calculated from sensitivity and power handling specifications, exclusive of power compression

POLAR DIAGRAMS

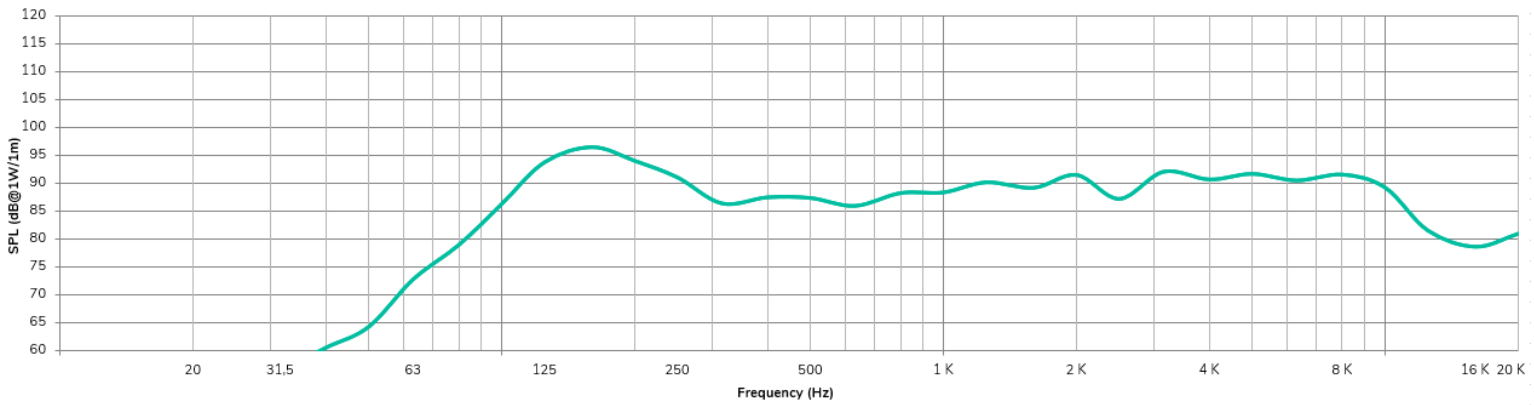
VIC6X



	BW	Q	Di
125Hz	140	2.7	4.3
250Hz	163	2.4	3.8
500Hz	173	2.5	4.0
1000Hz	166	2.5	4.0
2000Hz	110	4.4	6.5
4000Hz	63	7.5	8.8
8000Hz	68	6.8	8.4

FREQUENCY RESPONSE

VIC6 X



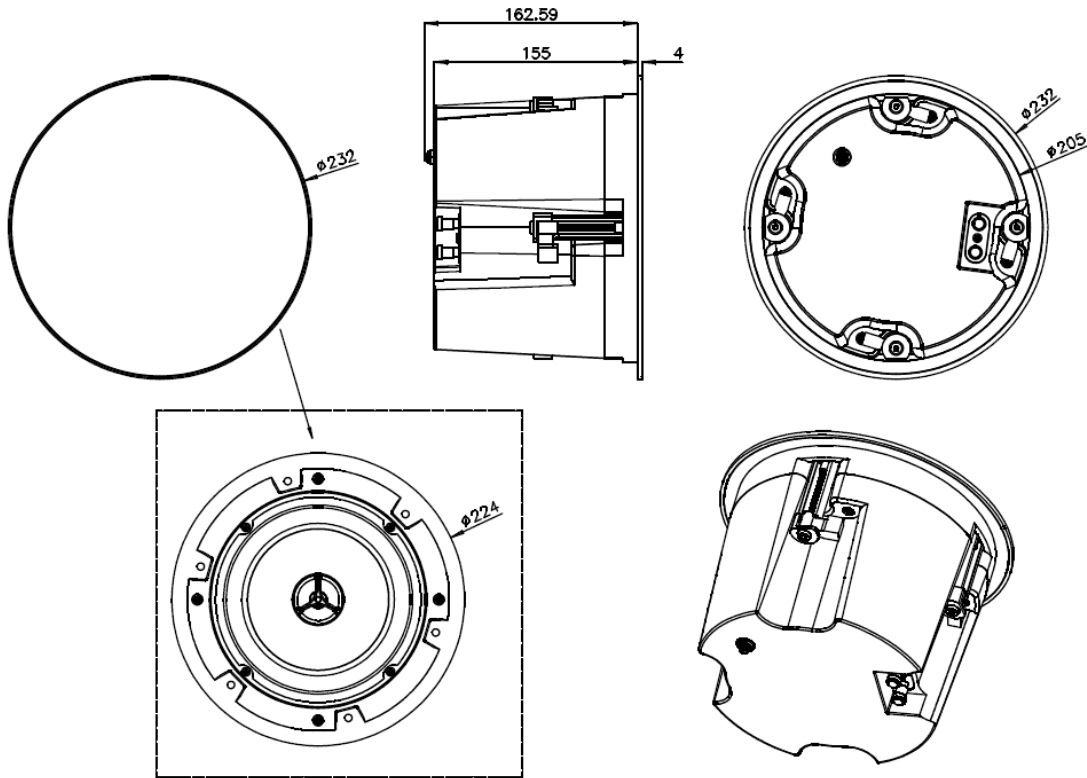
MECHANICAL DIAGRAMS

Measurements indicated in mm.

VIC6X



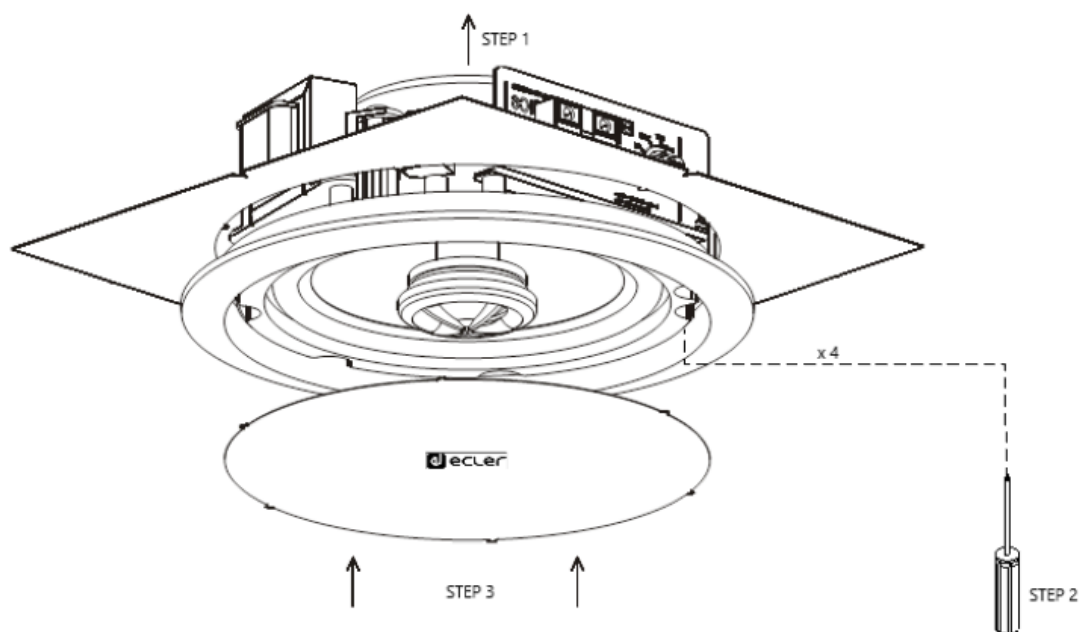
Ecler VIC6X Mechanical Diagram



61-1099-0100

[www.ecler.com](http://www.ecler.com)

## MOUNTING DIAGRAM



All product characteristics are subject to variation due to production tolerances. **NEEC AUDIO BARCELONA S.L.** reserves the right to make changes or improvements in the design or manufacturing that may affect these product specifications.

For technical queries contact your supplier, distributor or complete the contact form on our website, in [Support / Technical requests](#).

Motors, 166-168 -08038 Barcelona - Spain-(+34) 932238403 | [information@ecler.com](mailto:information@ecler.com) | [www.ecler.com](http://www.ecler.com)