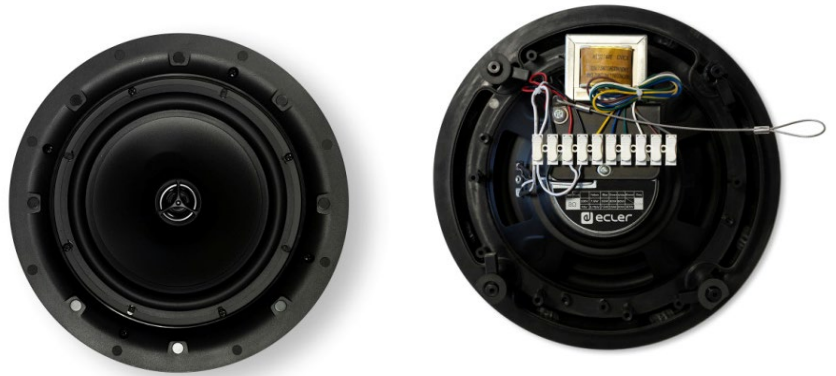


VIC8

CEILING LOUDSPEAKERS

In-ceiling Loudspeaker w/ Back Can & Tile Bridge



PRODUCT OVERVIEW

VIC8 is an in-ceiling loudspeaker with a great sound performance. It features an 8" woofer + 0.5" steerable tweeter, 60WRMS @ 8ohm nominal power and 70/100V line transformer with 60/30/15/7.5/3.75W power connections. Includes a metallic alloy grill ready to be painted if needed. VIC series provide a careful selection of components in a user-friendly design that seeks speed and versatility of installation on any surface, while maintaining excellent sound quality.

KEY FEATURES

- 2-way cabinet, 8" woofer and 0,5" steerable tweeter
- 60WRMS @ 8Ω
- Power selector: 60 / 30 / 15 / 7.5 / 3.75W @ 70V
60 / 30 / 15 / 7.5W @ 100V
8Ω position
- Sensitivity (1W/1m): 88 dB SPL
- Metallic alloy paintable grill
- Diameter: 282mm
- Depth: 115mm
- Colour: White, RAL9010

APPLICATIONS

- Corporate and residential buildings
- Commercial premises
- Leisure centres
- Health and sport centres
- Auditorium, museums
- Meeting and conference rooms

ACCESSORIES AND COMPATIBLE DEVICES

- VIC6/ VIC6X & VICSB8 / VICSB8X
- AVICSG
- AVICCAN8L

TECHNICAL SPECIFICATIONS

VIC8

System	
Effective frequency range ¹	59 Hz-20 kHz
Coverage angle ²	120° conical
Power handling	60 W RMS / 240 W Peak
Sensitivity ³	90 dB (1W/1m)
Maximum SPL ⁴	108 dB continuous / 114 dB peak
Power options	100: 60W / 30W / 15W / 7,5W / 8Ω 70: 60W / 30W / 15W / 7,5W / 3,75W / 8Ω
Recommended amplifier power	120 W RMS
Transducers	
Ways	2
Low frequency driver	8" woofer
High frequency driver	0,5" steerable tweeter
Nominal impedance	8Ω
Physical	
Installation options	Ceiling
Grille material	Paintable metallic alloy
External diameter	282 mm / 11.10"
Internal diameter	245 mm / 9.64"
Recommended cut out diameter	246 mm/ 9.69"
Required depth	120 mm / 4.72"
Finished color	White (RAL 9010)
Ceiling thickness	10mm / 0.39" min 50mm / 1.97" max
Dimensions (ØxD)	282x115mm / 11.1"x4.5"
Weight	2.3 kg / 5.07 lb

¹10dB below the sound pressure level at specified sensitivity

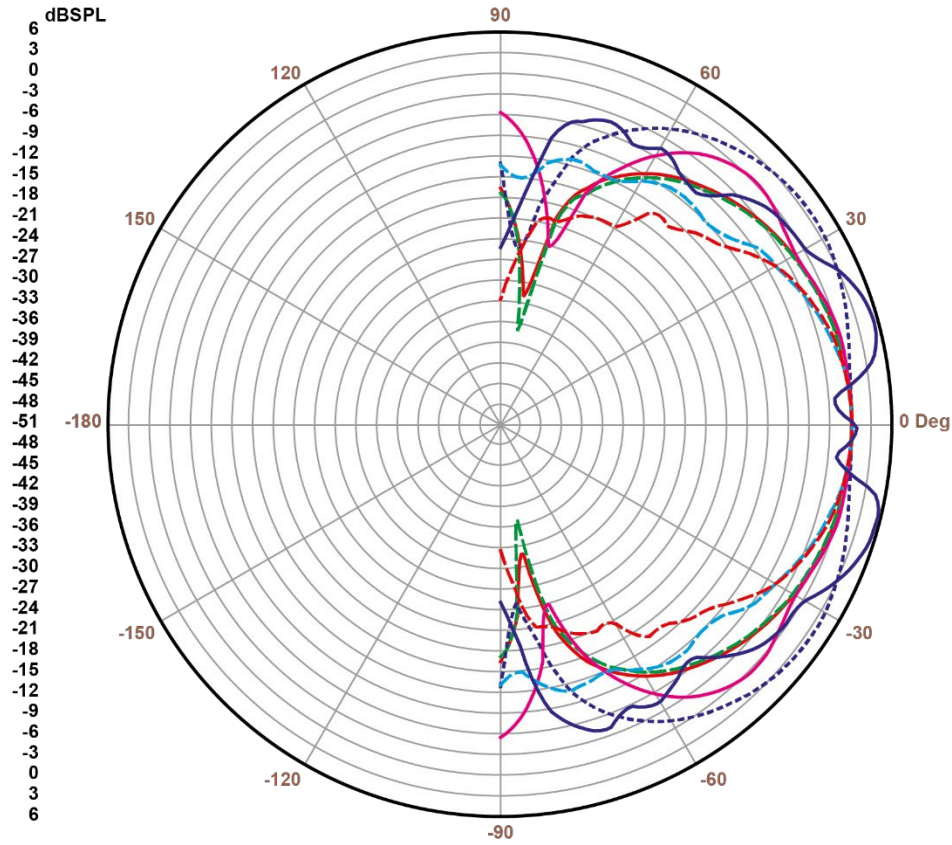
²6dB below the sound pressure level than that at the direction of maximum level, Average from 1 kHz to 4 kHz.

³Measured on-axis, far field and referenced to 1 meter by inverse square law. Average from 100 Hz to 10 kHz.

⁴Calculated from sensitivity and power handling specifications, exclusive of power compression

POLAR DIAGRAMS

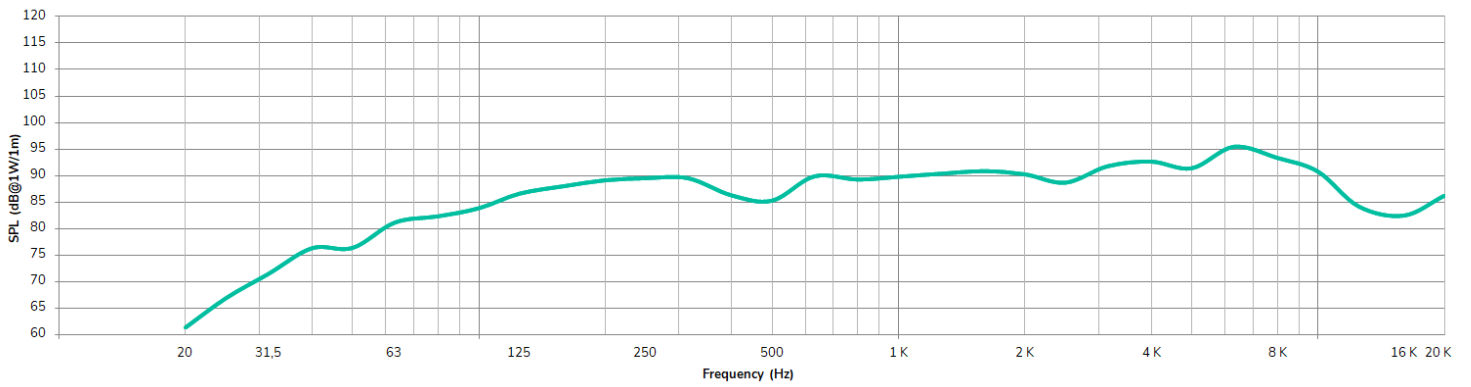
VIC8



Curve	Freq	BW	Q	DI
—	125.00	102	3.5	5.5
- - -	250.00	98	3.7	5.7
- - - -	500.00	138	2.6	4.2
—	1.00K	120	3.0	4.8
- - - -	2.00K	69	5.2	7.2
- - - -	4.00K	63	5.7	7.5
—	8.00K	93	3.9	5.9

FREQUENCY RESPONSE

VIC8



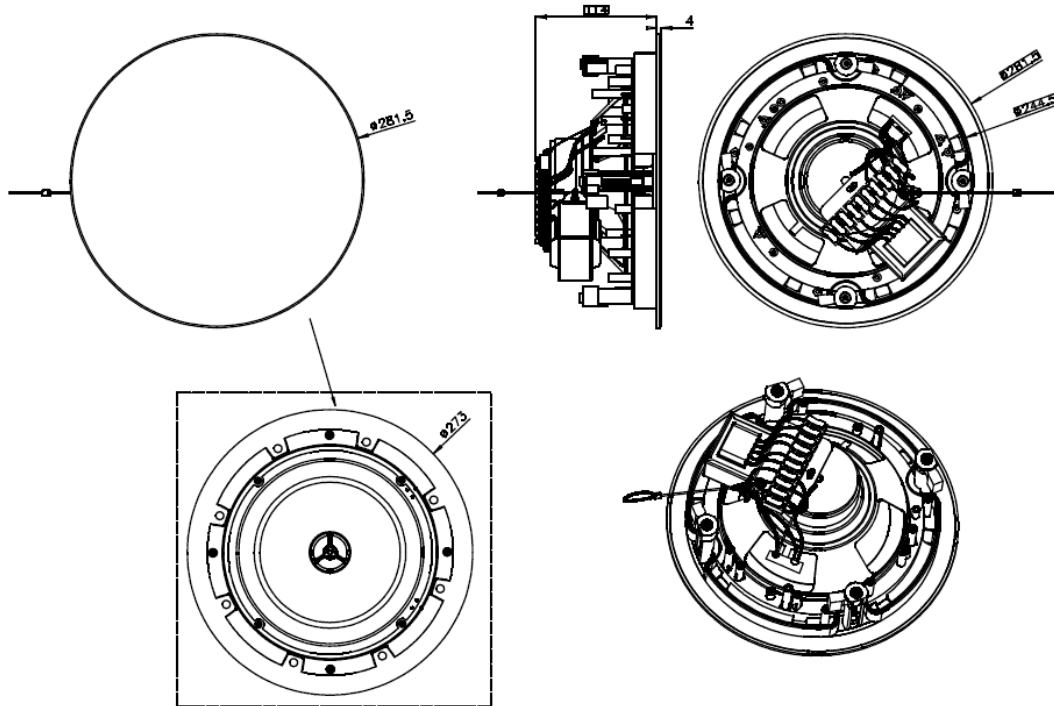
MECHANICAL DIAGRAMS

Measurements indicated in mm.

VIC8



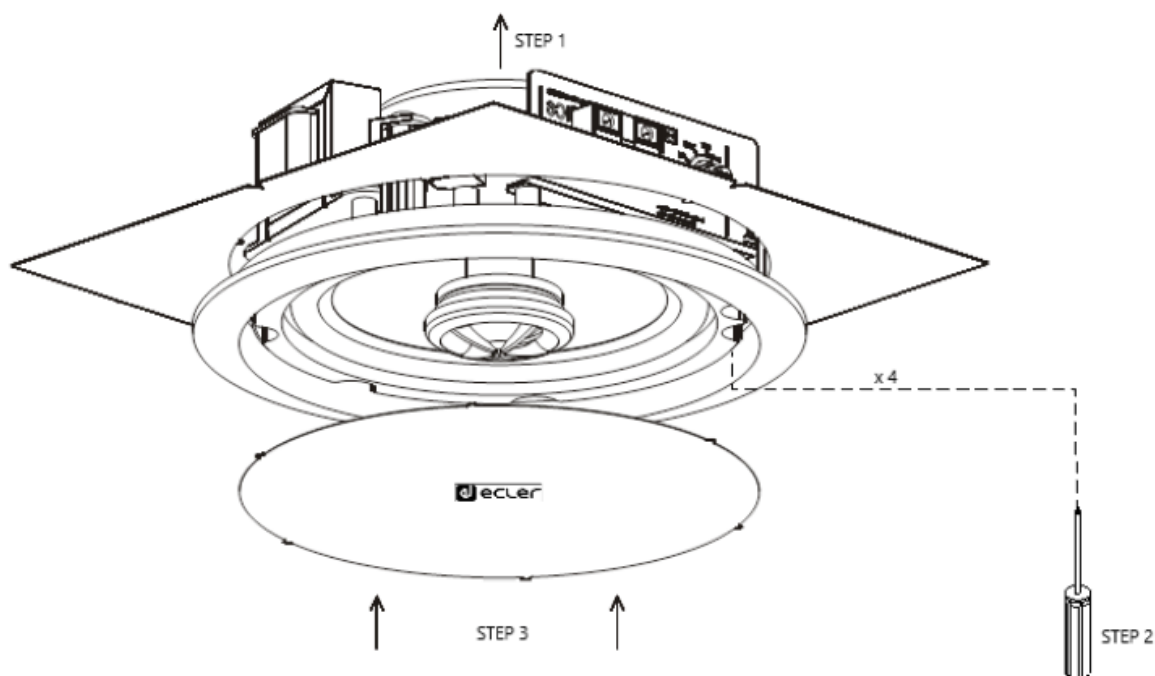
Ecler VIC8 Mechanical Diagram



61-0919-0200

www.ecler.com

MOUNTING DIAGRAM



All product characteristics are subject to variation due to production tolerances. **NEEC AUDIO BARCELONA S.L.** reserves the right to make changes or improvements in the design or manufacturing that may affect these product specifications.

For technical queries contact your supplier, distributor or complete the contact form on our website, in [Support / Technical requests](#).

Motors, 166-168 -08038 Barcelona - Spain-(+34) 932238403 | information@ecler.com | www.ecler.com