

## VIC6

### CEILING LOUDSPEAKERS

*In-ceiling Loudspeaker w/ Back Can & Tile Bridge*



### PRODUCT OVERVIEW

VIC6 is an in-ceiling loudspeaker with a great sound performance. It features a 6.5" woofer + 0.5" steerable tweeter, 40WRMS @ 8ohm nominal power and 70/100V line transformer with 40/20/10/5/2,5W power connections. Includes a metallic alloy grill ready to be painted if needed. VIC series provide a careful selection of components in a user-friendly design that seeks speed and versatility of installation on any surface, while maintaining excellent sound quality.

### KEY FEATURES

- 2-way cabinet, 6,5" woofer and 0,5" steerable tweeter
- 40WRMS @ 8Ω
- Power selector: 40 / 20 / 10 / 5 / 2,5W @ 70V  
40 / 20 / 10 / 5W @ 100V  
8Ω position
- Sensitivity (1W/1m): 89 dB SPL
- Metallic alloy paintable grill
- Diameter: 232mm
- Depth: 105mm
- Colour: White, RAL9010

### APPLICATIONS

- Corporate and residential buildings
- Commercial premises
- Leisure centres
- Health and sport centres
- Auditorium, museums
- Meeting and conference rooms

### ACCESSORIES AND COMPATIBLE DEVICES

- VIC8/VIC8X & VICSB8/VICSB8X
- AVICSG
- AVICCAN6L

## TECHNICAL SPECIFICATIONS

## VIC6

| System                                 |  |
|--|--|
| Effective frequency range <sup>1</sup> | 61 Hz-20 kHz   |
| Coverage angle <sup>2</sup>            | 124° conical   |
| Power handling                         | 40 W RMS / 160 W Peak  |
| Sensitivity <sup>3</sup>               | 89 dB (1W/1m)  |
| Maximum SPL <sup>4</sup>               | 105 dB continuous / 111 dB peak  |
| Power options                          | 100V: 40W / 20W / 10W / 5W / 8Ω<br>70V: 40W / 20W / 10W / 5W / 2,5W / 8Ω |
| Recommended amplifier power            | 80 W RMS   |
| Transducers                            |  |
| Ways                                   | 2  |
| Low frequency driver                   | 6,5" woofer  |
| High frequency driver                  | 0,5" steerable tweeter   |
| Nominal impedance                      | 8Ω   |
| Physical                               |  |
| Installation options                   | Ceiling  |
| Grille material                        | Paintable metallic alloy   |
| External diameter                      | 232 mm / 9.13"   |
| Internal diameter                      | 205 mm / 8.07"   |
| Recommended cut out diameter           | 206 mm / 8,11"   |
| Required depth                         | 110 mm / 4.33"   |
| Finished color                         | White (RAL 9010)   |
| Ceiling thickness                      | 10mm / 0.39" min<br>50mm / 1.97" max                                     |
| Dimensions (ØxD)                       | 232x105mm / 8.07"x4.13"  |
| Weight                                 | 1.8 kg / 3.97 lb   |

<sup>1</sup>10dB below the sound pressure level at specified sensitivity

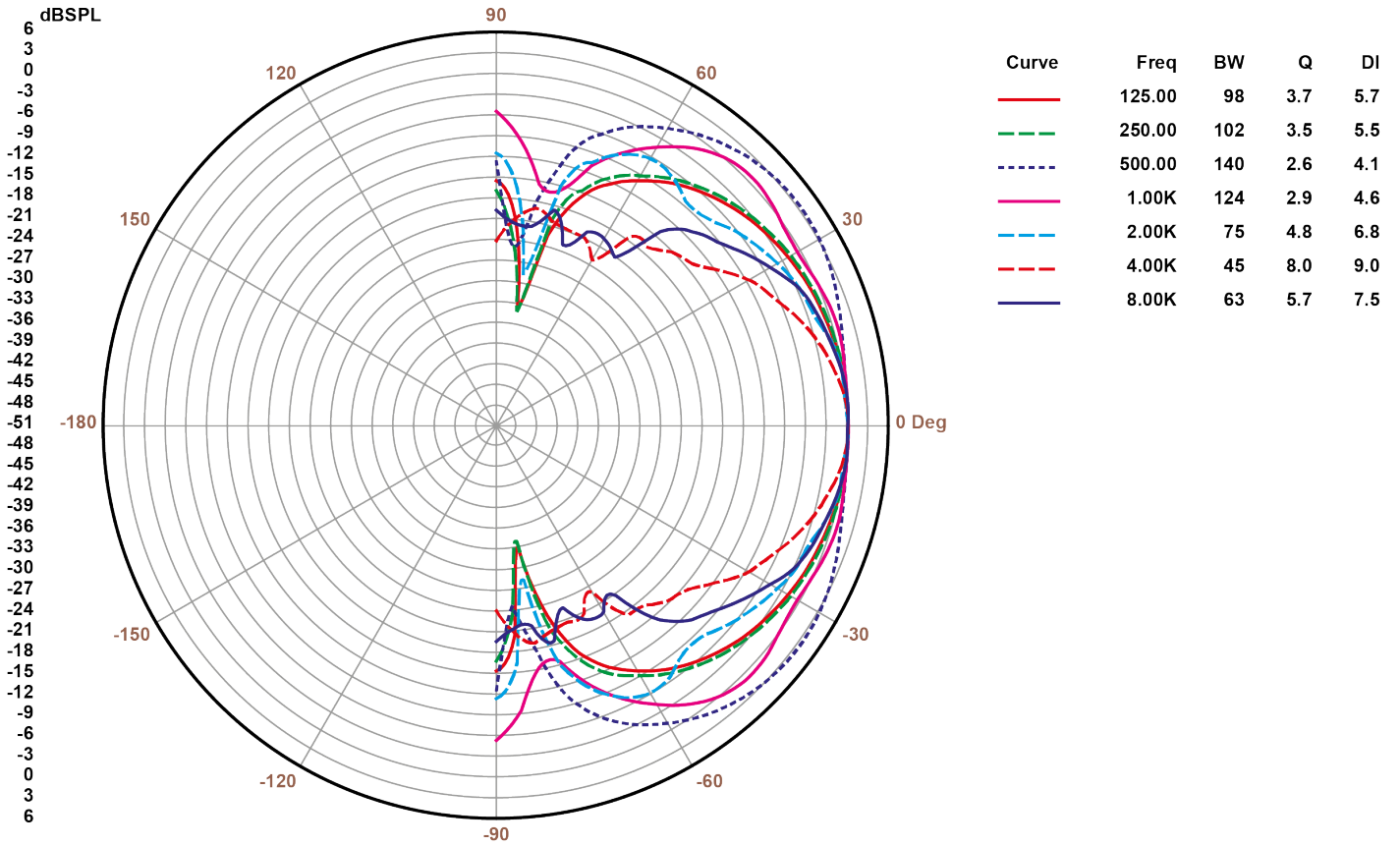
<sup>2</sup>6dB below the sound pressure level than that at the direction of maximum level, Average from 1 kHz to 4 kHz.

<sup>3</sup>Measured on-axis, far field and referenced to 1 meter by inverse square law. Average from 100 Hz to 10 kHz.

<sup>4</sup>Calculated from sensitivity and power handling specifications, exclusive of power compression

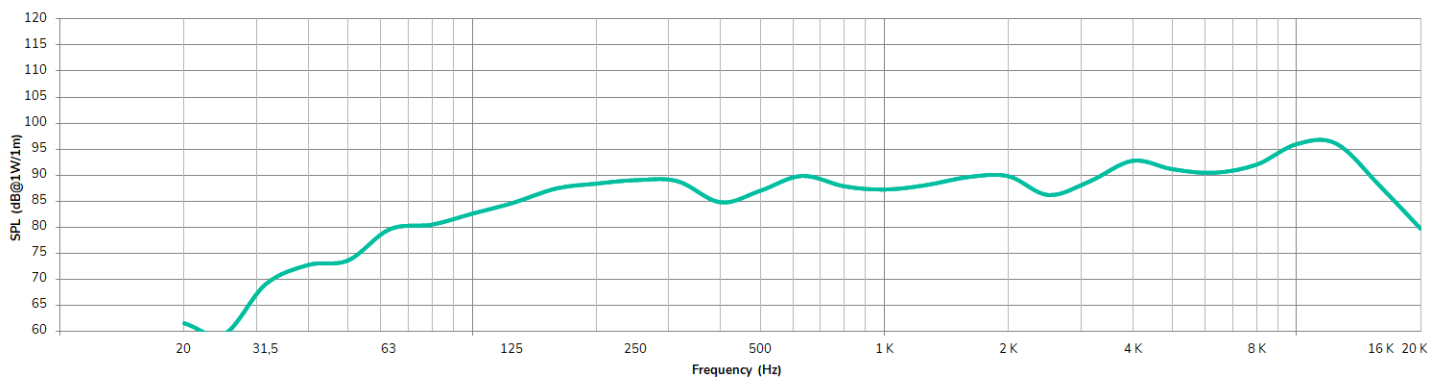
POLAR DIAGRAMS

VIC6



FREQUENCY RESPONSE

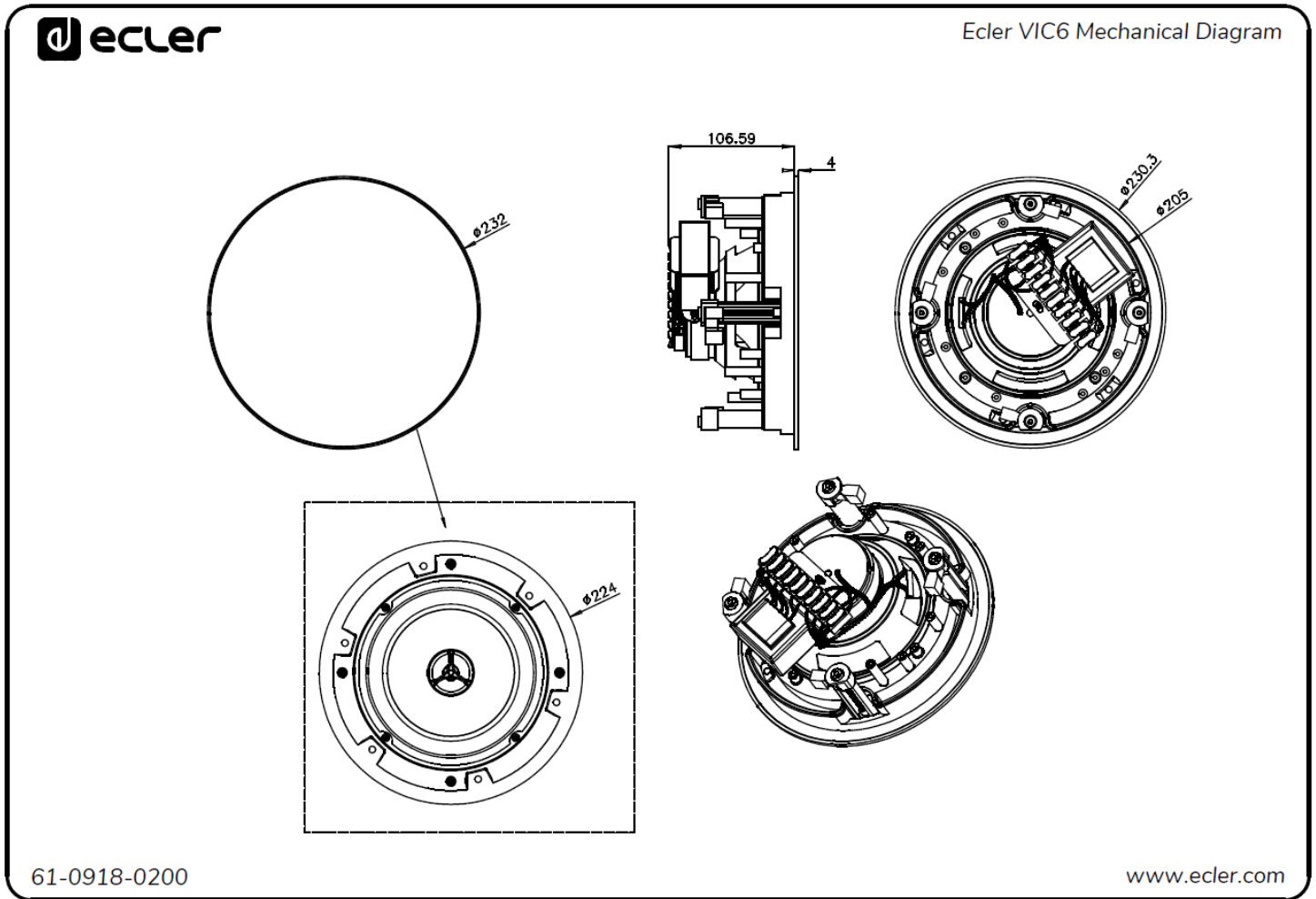
VIC6



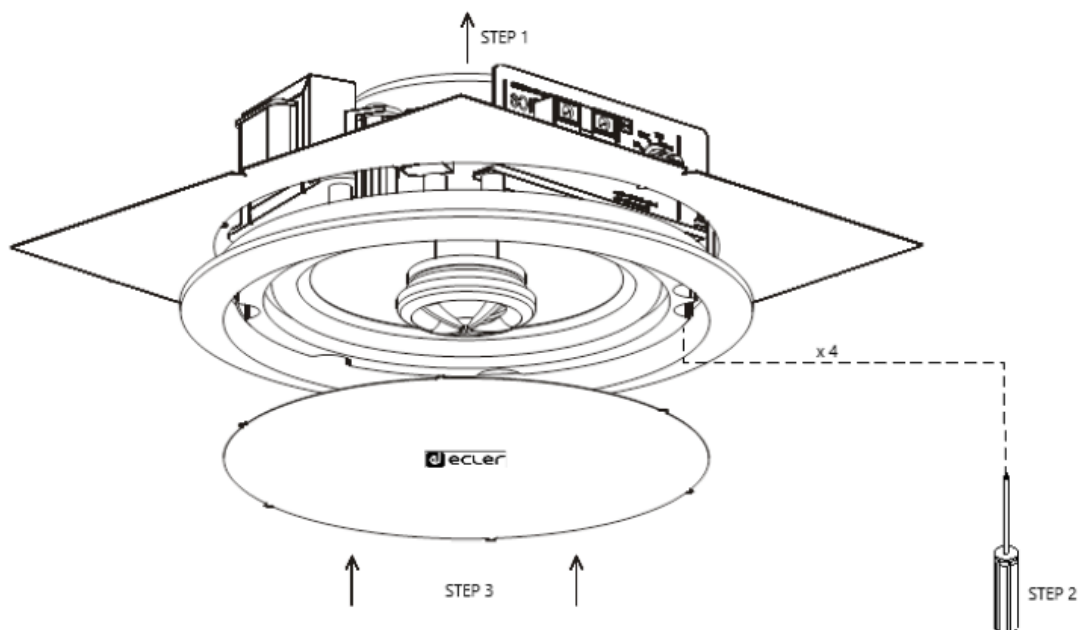
MECHANICAL DIAGRAMS

Measurements indicated in mm.

VIC6



## MOUNTING DIAGRAM



All product characteristics are subject to variation due to production tolerances. **NEEC AUDIO BARCELONA S.L.** reserves the right to make changes or improvements in the design or manufacturing that may affect these product specifications.

For technical queries contact your supplier, distributor or complete the contact form on our website, in [Support / Technical requests](#).

Motors, 166-168 -08038 Barcelona - Spain-(+34) 932238403 | [information@ecler.com](mailto:information@ecler.com) | [www.ecler.com](http://www.ecler.com)