

eUC106

SPECIALIZED LOUDSPEAKERS

Spherical Pendant Loudspeaker



PRODUCT OVERVIEW

eUC106 is a spherical pendant loudspeaker featuring a 6.5" woofer, 1" tweeter and 70/100V transformer.

KEY FEATURES

- Spherical pendant type loudspeaker
- 40W RMS
- 8 Ω and 70/100 V
- 6.5" woofer + 1" tweeter
- Transformer selector: 100V: 32W / 16W / 8W / 4W / 8 Ω
70V: 16W / 8W / 4W / 2W / 8 Ω
- Stripped wire connection
- Cable length: 3m
- Available in white and black finish
- EASE Win file available



APPLICATIONS

- Shopping centres
- Retail shops
- PA distributed sound systems
- Clubs, Cafes, Bars foreground/background reinforcement
- Health and sports centres
- Meeting and conference rooms

TECHNICAL SPECIFICATIONS

eUC106

System	
Effective frequency range ¹	74 Hz-20 kHz
Coverage angle ²	151°x151° (HxV)
Power handling	40 W RMS / 160 W Peak
Sensitivity ³	90 dB (1W/1m)
Maximum SPL ⁴	106 dB continuous / 112 dB peak
Power options	100V: 32W / 16W / 8W / 4W / 8Ω 70V: 16W / 8W / 4W / 2W / 8Ω
Recommended amplifier power	80 W RMS
Transducers	
Ways	2
Low frequency driver	6,5" woofer
High frequency driver	1" tweeter
Nominal impedance	8Ω
Physical	
Connection type	Stripped wire
Installation options	Ceiling (pendant)
Mounting system	Cabinet
Enclosure material	ABS
Cable length	3m
Finished colour	White (RAL 9003) or black (RAL 9005)
Dimensions (ØxD)	270x215mm / 10.63"x8.46"
Weight	3.0 kg / 6.61 lb

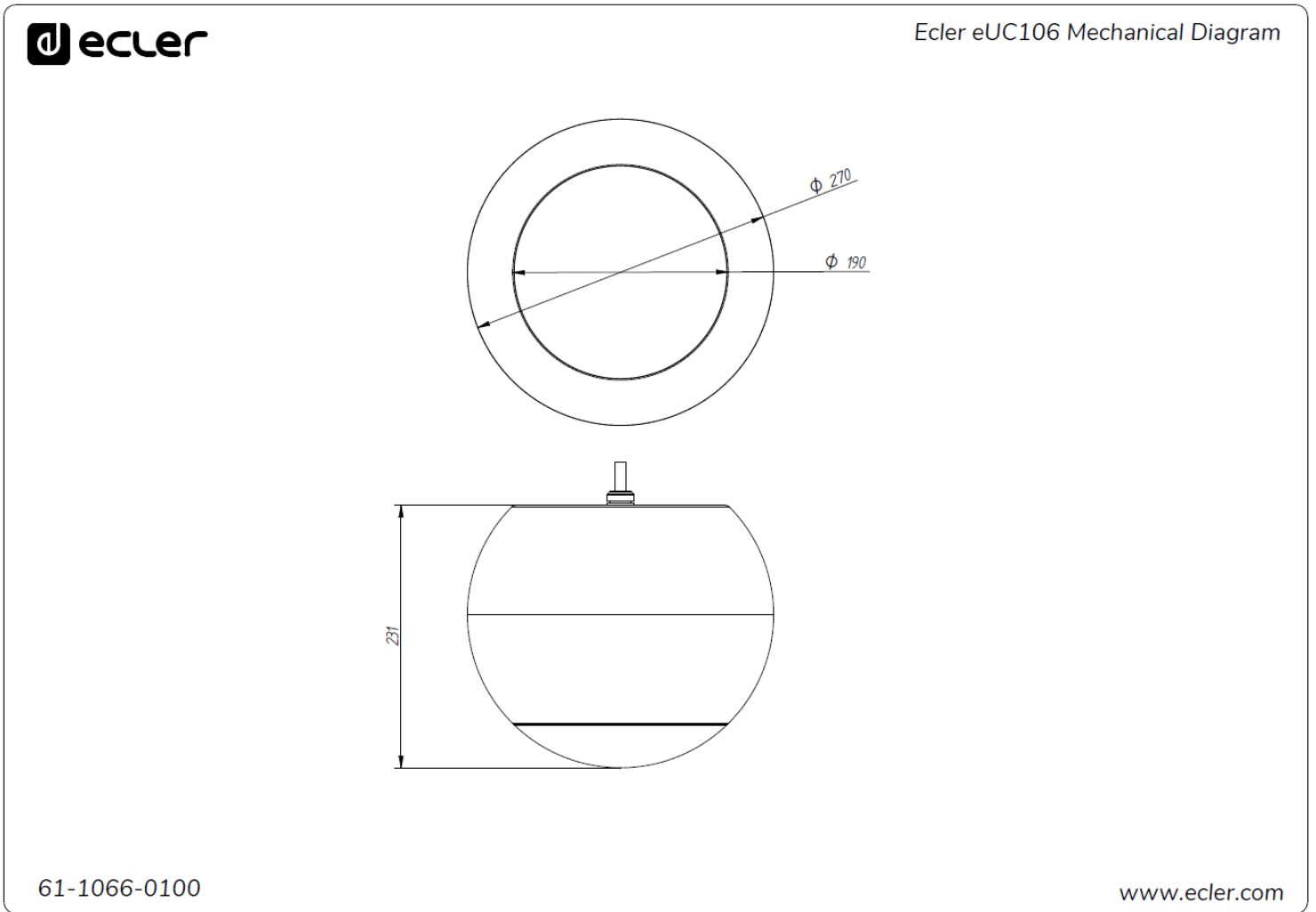
¹10dB below the sound pressure level at specified sensitivity

²6dB below the sound pressure level than that at the direction of maximum level, Average from 1 kHz to 4 kHz.

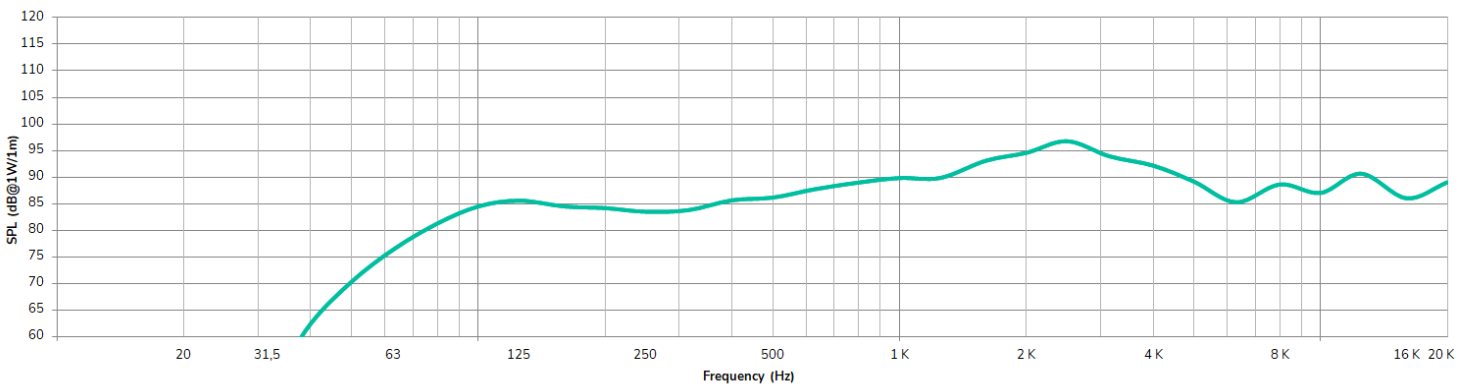
³Measured on-axis, far field and referenced to 1 meter by inverse square law. Average from 100 Hz to 10 kHz.

⁴Calculated from sensitivity and power handling specifications, exclusive of power compression

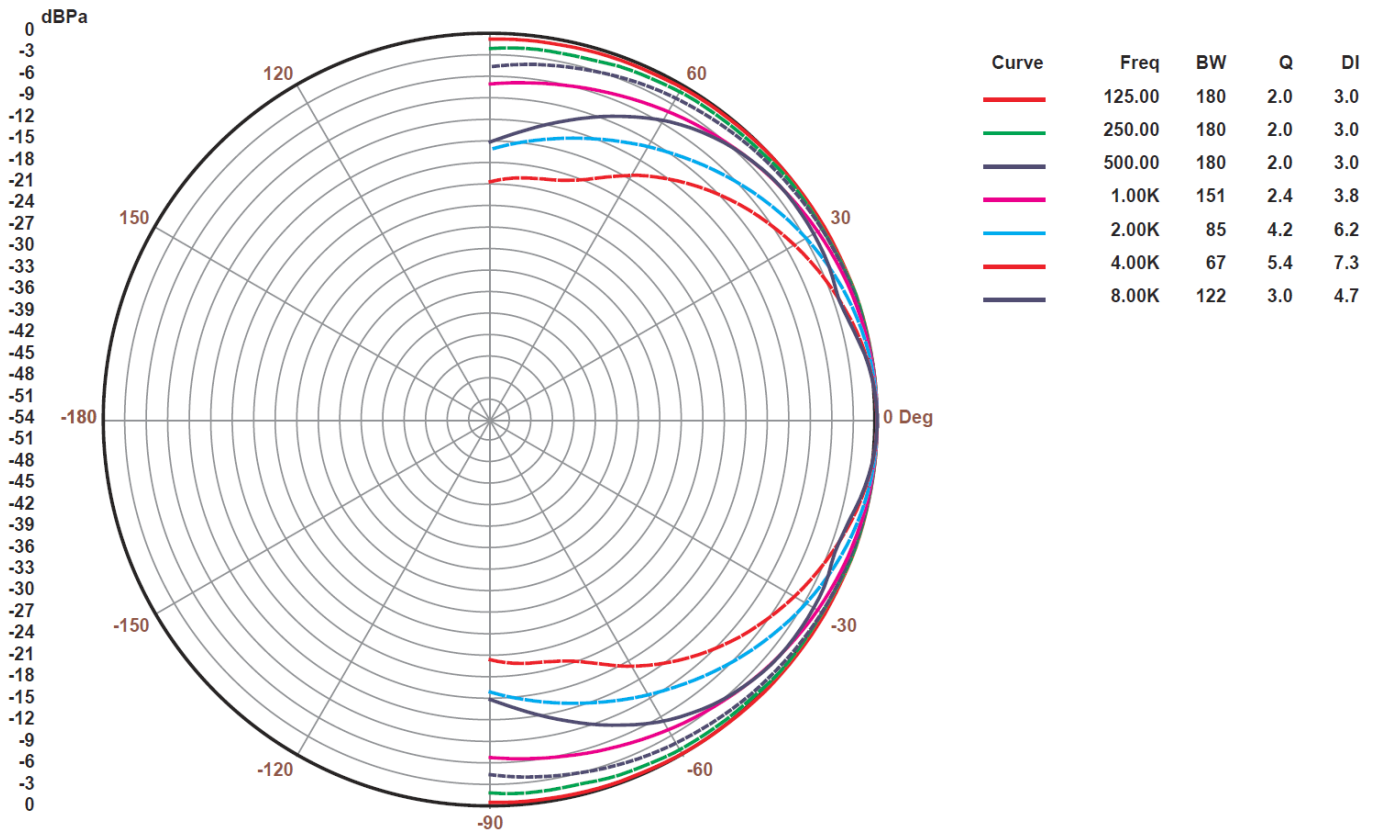
MECHANICAL DIAGRAM



FREQUENCY RESPONSE



POLAR DIAGRAMS



All product characteristics are subject to variation due to production tolerances. **NEEC AUDIO BARCELONA S.L.** reserves the right to make changes or improvements in the design or manufacturing that may affect these product specifications

For technical queries contact your supplier, distributor or complete the contact form on our website, in [Support / Technical requests](#).

Motors, 166-168 - 08038 Barcelona - Spain - (+34) 932238403 | information@ecler.com | www.ecler.com