

IG108

SPECIALIZED LOUDSPEAKERS

In-ground Loudspeaker



PRODUCT OVERVIEW

The IG108 is an in-ground weatherproof loudspeaker (IP65) with an omni-directional horizontal dispersion pattern (360°). It is ideal for music and message applications in outdoor areas, where a reliable yet high quality sound system is required.

KEY FEATURES

- IP65 outdoor rated loudspeaker
- 8 ohm and 70/100 V (7,5, 15, 30 o 60 W tap switch)
- 8" Kevlar woofer and 1" ACCW silk dome tweeter
- Frequency response (-10 dB): 50 Hz-23 kHz
- Omni directional horizontal coverage pattern (a circular area with an average radius of 4 to 6 meters can be covered by one unit, in a standard application)
- Security ground bracket included
- Available in green (RAL 6005)
- EASE Win file available



APPLICATIONS

- Theme parks
- Gardens, nature parks and urban spaces
- Leisure centres
- Health and sport centres
- Museums
- Residential buildings, outdoor areas

TECHNICAL SPECIFICATIONS

IG108

System	
Effective frequency range ¹	50 Hz-23 kHz
Coverage angle ²	360°x229° (HxV)
Power handling	100 W RMS / 400 W Peak
Sensitivity ³	92 dB (1W/1m)
Maximum SPL ⁴	112 dB continuous / 118 dB peak
Power options	100V: 60W / 30W / 15W / 7,5W / 8Ω 70V: 30W / 15W / 7,5W / 3,75W / 8Ω
Recommended amplifier power	200 W RMS
Transducers	
Ways	2
Low frequency driver	8" Kevlar woofer
High frequency driver	1" ACCW silk dome tweeter
Nominal impedance	8Ω
Physical	
Power type selector	Tap switch
Installation options	In-ground
Environmental	IP65 rated
Included accessories	Security gound bracket
Finished colour	Green (RAL 6005)
Dimensions (ØxD)	360 x 392.5 mm / 14.17"x15.95"
Weight	8.5 kg / 18.74 lb

¹10dB below the sound pressure level at specified sensitivity

²6dB below the sound pressure level than that at the direction of maximum level, Average from 1 kHz to 4 kHz.

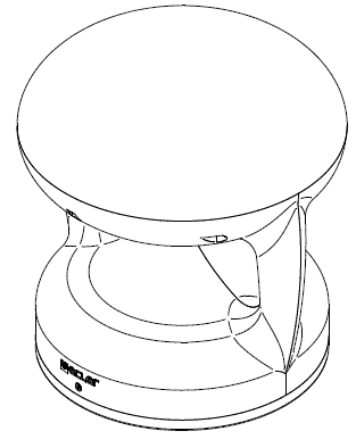
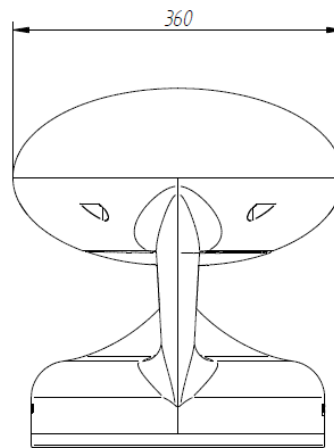
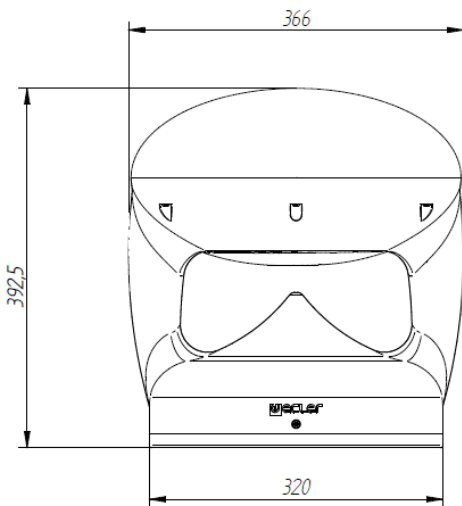
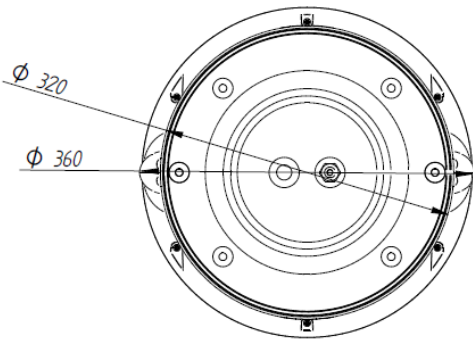
³Measured on-axis, far field and referenced to 1 meter by inverse square law. Average from 100 Hz to 10 kHz.

⁴Calculated from sensitivity and power handling specifications, exclusive of power compression

MECHANICAL DIAGRAM



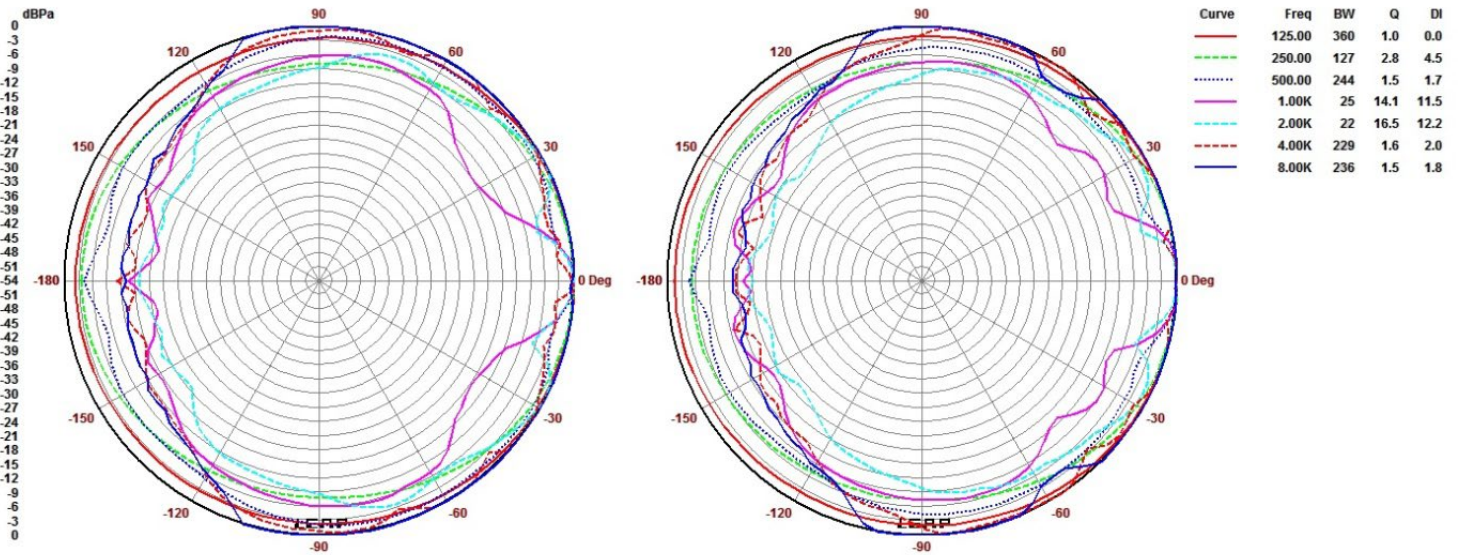
Ecler IG108 Mechanical Diagram



61-1095-0100

www.ecler.com

POLAR DIAGRAMS



All product characteristics are subject to variation due to production tolerances. **NEEC AUDIO BARCELONA S.L.** reserves the right to make changes or improvements in the design or manufacturing that may affect these product specifications.

For technical requests address to your supplier, distributor or fill the contact form in our website, at Support / Technical Request.

Motors, 166-168 08038 Barcelona - Spain - (+34) 932238403 | information@ecler.com | www.ecler.com