

eMOTUS5P

SURFACE MOUNT CABINETS

Powered Loudspeakers – Stereo kit



PRODUCT OVERVIEW

eMOTUS5P is a stereo loudspeaker kit including an active and a passive cabinet and performing 2 audio inputs: balanced and unbalanced. A professional and compact loudspeaker stereo kit, a user-friendly and cost-effective formula with a fantastic performance and a unique design that will easily fit in a massive number of multimedia applications: education classrooms, corporate meeting rooms, retail stores, etc. Available in white colour.

KEY FEATURES

- Stereo kit: 2x25W RMS
- 2-ways: 5" woofer + 1 " tweeter
- 2 analogue audio inputs (balanced- Euroblock and unbalanced-RCA)
- Sound source selection
- 2-band tone control
- Stereo/mono switch
- Auto stand-by
- Includes wall bracket and security steel cable
- Available in white finish

APPLICATIONS

- Classrooms
- Meeting rooms
- Multimedia presentations (In combination with video projectors, screens, etc.)
- Retail shops
- Museums and exhibitions
- Hotel rooms

TECHNICAL SPECIFICATIONS

eMOTUS5P

System	
Effective frequency range ¹	85Hz – 20kHz
Coverage angle ²	120°x120° (HxV)
Power handling	25 W RMS / 100 W Peak
Sensitivity ³	77 dB (1W/1m) - TBC
Maximum SPL ⁴	91 dB continuous / 97 dB peak - TBC
Recommended amplifier power	50 W RMS
Transducers	
Ways	2
Low frequency driver	5" woofer
High frequency driver	1 tweeter"
Nominal impedance	8Ω
Physical	
Enclosure material	ABS
Grill material	Aluminium
Mounting system	Cabinet
Included accessories	Wall bracket and security steel cable
Finished colour	White (RAL 9003)
Dimensions (WxHxD)	Not including brackets: 173 x 180 x 181mm / 6.81 x 7.09 x 7.13 in. Including brackets: 173 x 180 x 249 mm / 6.81 x 7.09 x 9.80 in.
Weight	4.2 kg / 9.26 lb 4.5 kg / 9.92 lb (including bracket)
Powered	
Power	2 x 25 W RMS / 100 W Peak
Audio inputs	1x balanced, 1x unbalanced (stereo/mono switch)
THD + Noise @1kHz Full power	≤0.5%
Input sensitivity	525mV/22k Ω
CMRR	≥80dB
Tone control	±14dB
Mains	115 / 230VAC (selectable)
Power consumption (pink noise, 1/8 power @ 8ohm)	≤10.5W
Power consumption (pink noise, 1/3 power @ 8ohm)	≤23W
Power consumption Stand-by	≤3W

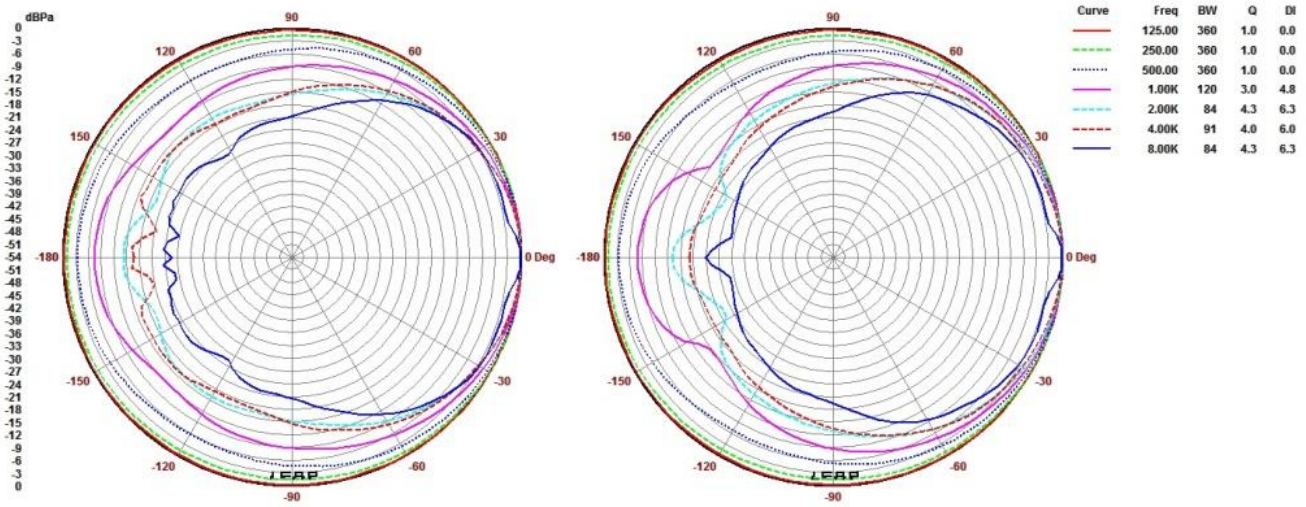
¹10dB below the sound pressure level at specified sensitivity

²6dB below the sound pressure level than that at the direction of maximum level, Max. angle between 1 kHz and 4 kHz.

³Measured on-axis, far field and referenced to 1 meter by inverse square law. Average from 100 Hz to 10 kHz.

⁴Calculated from sensitivity and power handling specifications, exclusive of power compression

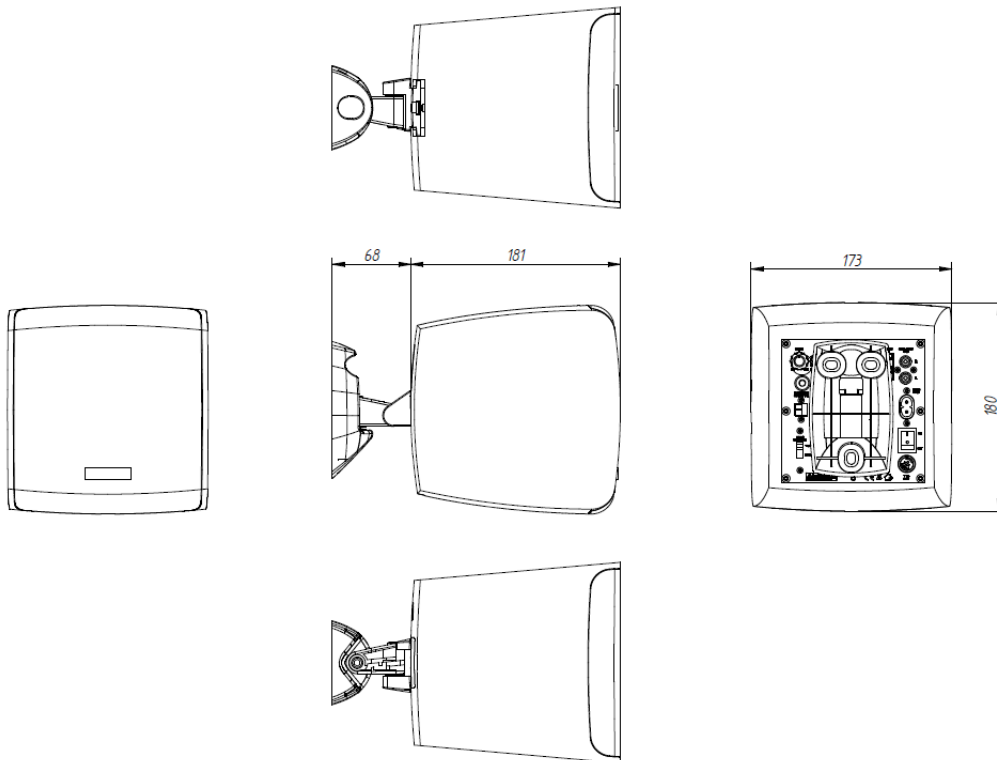
POLAR DIAGRAMS



MECHANICAL DIAGRAMS



Ecler eMOTUS5PB/eMOTUS5P Mechanical Diagram

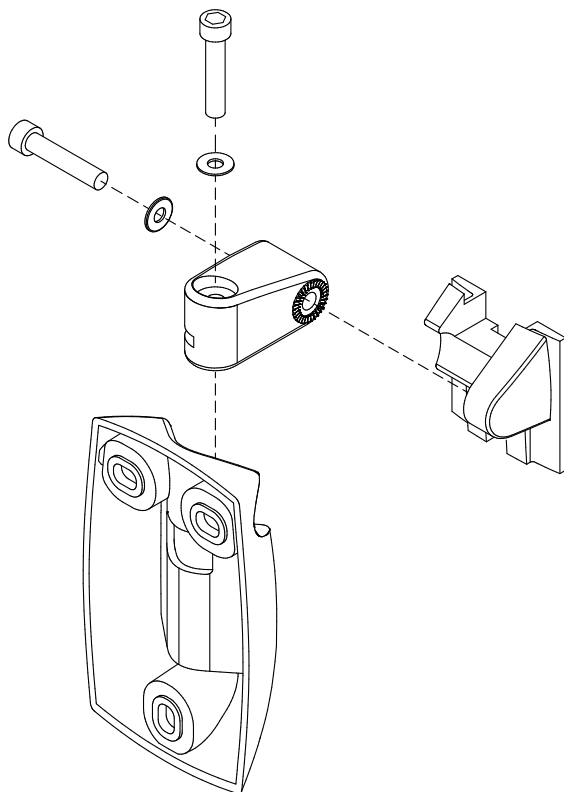


All the measurements are in mm

61-1072-0100

www.ecler.com

WALL SUPPORT MOUNTING DIAGRAM



All product characteristics are subject to variation due to production tolerances. **NEEC AUDIO BARCELONA S.L.** reserves the right to make changes or improvements in the design or manufacturing that may affect these product specifications.

For technical requests address to your supplier, distributor or fill the contact form in our website, at [Support / Technical Request](#).

Motors, 166-168 08038 Barcelona - Spain - (+34) 932238403 | information@ecler.com | www.ecler.com