

WPa Series (*)

PANELS AND CONTROLS

Wall-mounted Analogue Remote Controls



USER MANUAL

(*) Includes U.S.A, UBWPaVOL, UBWPaCNXJRC, WPaMIX-TUS, WPaVOLUS and WPaVOL-SRUS format panels

INDEX

1. IMPORTANT REMARK.....	3
2. IMPORTANT SAFETY INSTRUCTIONS	3
3. IMPORTANT NOTE.....	5
4. INTRODUCTION.....	5
5. VOLUME CONTROLS / SOURCE SELECTION	6
5.1. WPaVOL / UBWPaVOL, WPaVOLUS (USA model)	6
5.2 WPaVOL-J.....	6
5.3 WPaVOL-SR / WPaVOL-SRUS (USA model).....	7
5.4 WPaVOL-SR-J	7
5.5 Connection tables and diagrams	8
6. REMOTE ATTENUATORS.....	11
6.1 WPaH-AT6.....	11
6.2. WPaH-AT40	11
6.3 WPaH-AT100.....	12
6.4 WPaH-SL4.....	13
7. WPaMIX-T / WPaMIX-TUS (USA model)	14
7.1. Function diagram.....	14
7.2. Configuration diagram.....	15
7.3. Connection terminal block diagram.....	15
8. REMOTE CONNECTORS	17
8.1. WPaCNX-CBO.....	17
8.2. WPaCNX-JRCA / UBWPaCNXJRC	18
9. TECHNICAL SPECIFICATIONS.....	19
10. MOUNTING DRAWINGS.....	20
10.1. WPaVOL, WPaVOLUS, WPaVOL-J, WPaVOL-SR, WPaVOL-SRUS,.....	20
WPaVOL-SR-J, WPaMIX-T, WPaMIX-TUS, WPaCNX-CBO and WPaCNX-JRCA ...	20
10.2. UBWPaVOL, UBWPaCNXJRC.....	21
10.3. WPaH-AT6, WPa-SL4.....	22
10.4. WPaH-AT40	23
10.5. WPaH-AT100	24

1. IMPORTANT REMARK



WARNING: SHOCK HAZARD - DO NOT OPEN


AVIS: RISQUE DE CHOC ÉLECTRIQUE - NE PAS OUVRIR



The lightning flash with arrowhead symbol, within an equilateral triangle, is intended to alert the user to the presence of uninsulated “dangerous voltage” within the product’s enclosure that may be of sufficient magnitude to constitute a risk of electric shock to persons.



The exclamation point within an equilateral triangle is intended to alert the user to the presence of important operating and maintenance (servicing) instructions in the literature accompanying the appliance.

WARNING (If applicable): The terminals marked with symbol of “” may be of sufficient magnitude to constitute a risk of electric shock. The external wiring connected to the terminals requires installation by an instructed person or the use of ready-made leads or cords.

WARNING: To prevent fire or shock hazard, do not expose this equipment to rain or moisture.

WARNING: An apparatus with Class I construction shall be connected to a mains socket-outlet with a protective earthing connection.

2. IMPORTANT SAFETY INSTRUCTIONS

1. Read these instructions.
2. Keep these instructions.
3. Heed all warnings.
4. Follow all instructions.
5. Do not use this apparatus near water.
6. Clean only with dry cloth.
7. Do not block any ventilation openings. Install in accordance with the manufacturer’s instructions.
8. Do not install near any heat sources such as radiators, heat registers, stoves, or other apparatus (including amplifiers) that produce heat.

9. Do not defeat the safety purpose of the polarized or grounding type plug. A polarized plug has two blades with one wider than the other. A grounding type plug has two blades and a third grounding prong. The wide blade or the third prong are provided for your safety. If the provided plug does not fit into your outlet, consult an electrician for replacement of the obsolete outlet.
10. Protect the power cord from being walked on or pinched particularly at the plugs, convenience receptacles, and at the point where they exit from the apparatus.
11. Only use attachments/accessories specified by the manufacturer.
12. Unplug the apparatus during lightening sorts or when unused for long periods of time.
13. Refer all servicing to qualified personnel. Servicing is required when the apparatus has been damaged in any way, such as power supply cord or plug is damaged, liquid has been spilled or objects have fallen into the apparatus, the apparatus has been exposed to rain or moisture, does not operate normally, or has been dropped.
14. Disconnecting from mains: Switching off the POWER switch all the functions and light indicators of the amplifier will be stopped, but fully disconnecting the device from mains is done unplugging the power cord from the mains input socket. For this reason, it always shall remain readily operable.
15. Equipment is connected to a socket-outlet with earthing connection by means of a power cord.
16. The marking information is located at the bottom of apparatus.
17. The apparatus shall not be exposed to dripping or splashing and that no objects filled with liquids, such as vases, shall be placed on apparatus.

NOTE: This equipment has been tested and found to comply with the limits for a Class A digital device, pursuant to part 15 of the FCC Rules. These limits are designed to provide reasonable protection against harmful interference when the equipment is operated in a commercial environment. This equipment generates, uses, and can radiate radio frequency energy and, if not installed and used in accordance with the instruction manual, may cause harmful interference to radio communications. Operation of this equipment in a residential area is likely to cause harmful interference in which case the user will be required to correct the interference at his own expense.



WARNING: This product must not be discarded, under any circumstance, as unsorted urban waste. Take to the nearest electrical and electronic waste treatment centre.

NEEC AUDIO BARCELONA, S.L. accepts no liability for any damage that may be caused to people, animal or objects due to failure to comply with the warnings above.

3. IMPORTANT NOTE

Thank you for choosing our Ecler **WPa Wall-mounted Analogue Remote Control!**

It is **VERY IMPORTANT** to carefully read this manual and to fully understand its contents before any connection in order to maximize your use and get the best performance from this equipment.

To ensure optimal operation of this device, we strongly recommend that its maintenance be carried out by our authorised Technical Services.

All ECLER products are covered by warranty, please refer to www.ecler.com or the warranty card included with this product for the period of validity and conditions.

4. INTRODUCTION

WPa is a series of wall-mounted remote-control panels for equipment, together with audio signal interconnection. It is a development of its predecessor, the WPm series, with an up-to-date aesthetics, elegant and discrete and designed in collaboration with Italdesign Giugiaro. Surface-mounted installation box is included in the full WPa series.



5. VOLUME CONTROLS / SOURCE SELECTION

5.1. WPaVOL / UBWPaVOL, WPaVOLUS (USA model)

WPaVOL / UBWPaVOL / UBWPaVOLUS (USA model) is a wall-mounted remote control for volume management. It is compatible with all devices with 0-10VDC ports. For information of its connection, check the [Connection tables and diagrams](#) chapter.



WPaVOL/ WPaVOLUS and UBWPaVOL

5.2 WPaVOL-J

WPaVOL-J has the same specifications as the WPaVOL, plus a stereo 1/8" jack on the front panel. For information of its connection, check the [Connection tables and diagrams](#) chapter.



WPaVOL-J

5.3 WPaVOL-SR / WPaVOL-SRUS (USA model)

WPaVOL-SR / WPaVOL-SRUS (USA model) is a wall-mounted remote control for volume management and source/pre-adjust selection. It is compatible with all devices with 0-10VDC ports. For information of its connection, check the [Connection tables and diagrams](#) chapter.



WPaVOL-SR / WPaVOL-SRUS

5.4 WPaVOL-SR-J

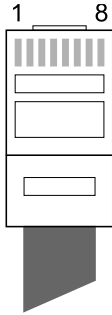
WPaVOL-SR-J has the same specifications as the WPaVOL-SR, plus a stereo mini-jack on the front panel. For information of its connection, check the [Connection tables and diagrams](#) chapter.



WPaVOL-SR-J

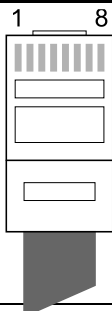
5.5 Connection tables and diagrams

- **RJ-45 Connection Diagram (GENERAL)**

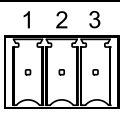
RJ-45 Diagram for GENERAL connection			
Pin 1	White Orange	GND	
Pin 2	Orange	REMOTE VOL (10V÷0V → MIN÷MAX)	
Pin 3	White Green	GND	
Pin 4	Blue	N.C.	
Pin 5	White Blue	N.C.	
Pin 6	Green	VCC (+12V/+10V)	
Pin 7	White Brown	GND	
Pin 8*	Brown	REMOTE ZONE (0, 3, 5, 7, 10V → OFF, Z1, Z2, Z3, Z4)	

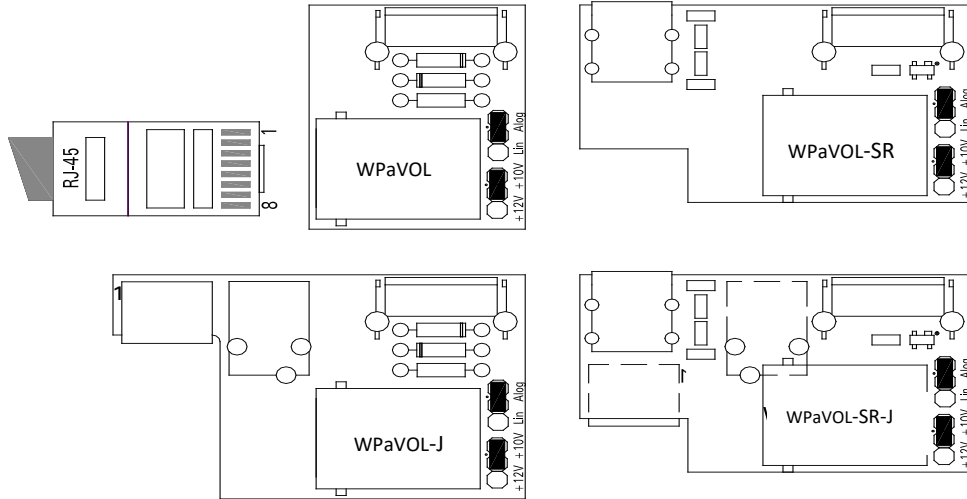
*Only WPaVOL-SR / WPaVOL-SRUS and WPaVOL-SR-J

- **RJ-45 Connection Diagram (HADA Series)**

RJ-45 Diagram for HADA Series connection			
Pin 1	White Orange	VCC (+3,3V)	
Pin 2	Orange	REMOTE VOL (0V÷ +3,3V → MIN÷MAX)	
Pin 3	White Green	VCC (+3,3V)	
Pin 4	Blue	N.C.	
Pin 5	White Blue	N.C.	
Pin 6	Green	GND	
Pin 7	White Brown	VCC (+3,3V)	
Pin 8	Brown	Not available	

- **Mini-jack connection diagram**

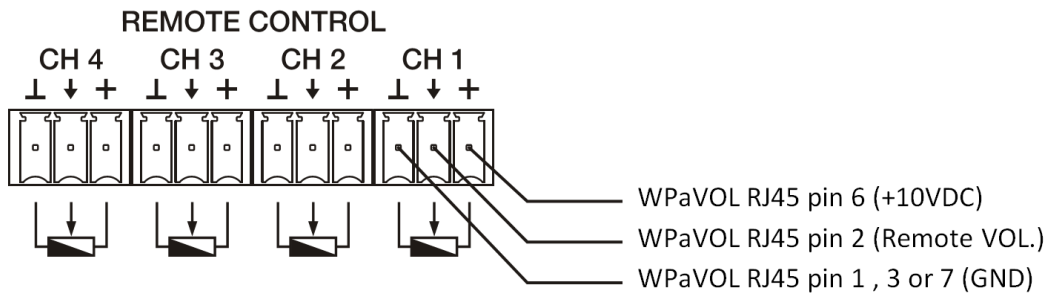
Terminal Block Diagram (mini-Jack)		
Pin 1	SLEEVE	
Pin 2	RING	
Pin 3	TIP	



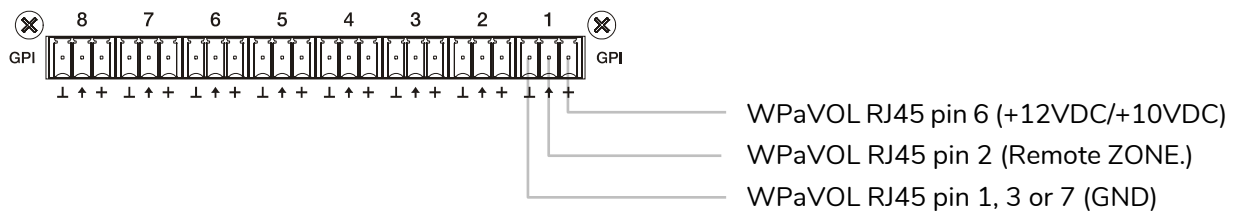
FACTORY DEFAULT: ALOG
+10V

ALOG for analog devices / LIN for digital devices
+12V for MIMO88 GPI's / +10V for other REMOTE ports

Internal jumpers

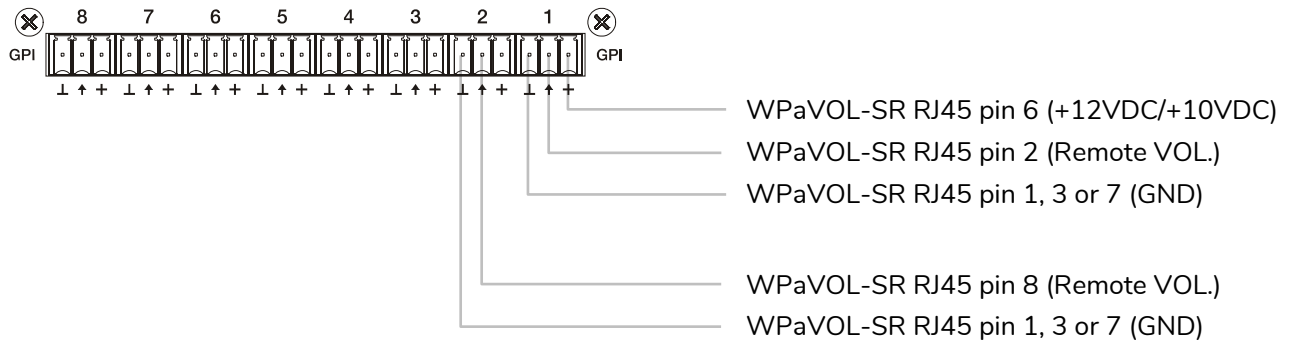


WPaVOL / WPaVOLUS / WPaVOL-SR / WPaVOL-SRUS connection to remote-control ports



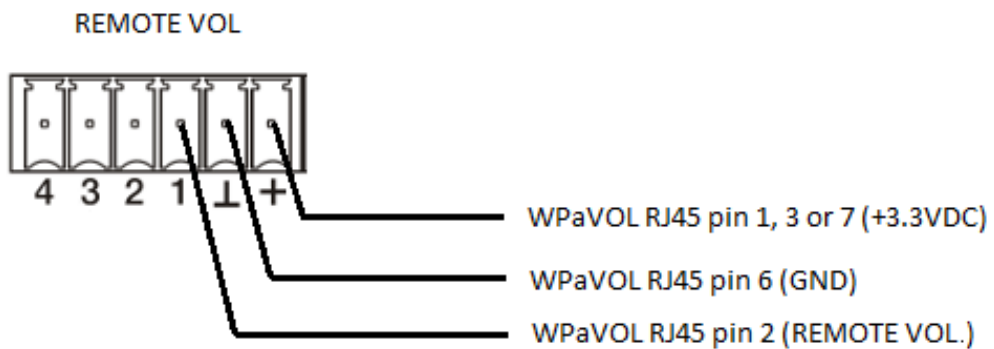
Jumpers position: ALOG / LIN → **LIN position**
+12 / +10 → **+12 position**

WPaVOL/ WPaVOLUS connection to MIMO serial GPI ports



Jumpers position: ALOG / LIN → **LIN position**
 +12 / +10 → **+12 position**

WPaVOL-SR/ WPaVOL-SRUS connection to MIMO serial GPI ports



WPaVOL / WPaVOL-J connection to HADA Series ports

6. REMOTE ATTENUATORS

6.1 WPaH-AT6

The WPaH-AT6 is a 70/100 V line attenuator, with an integrated 24 VDC priority relay.
Maximum output power: 6 W

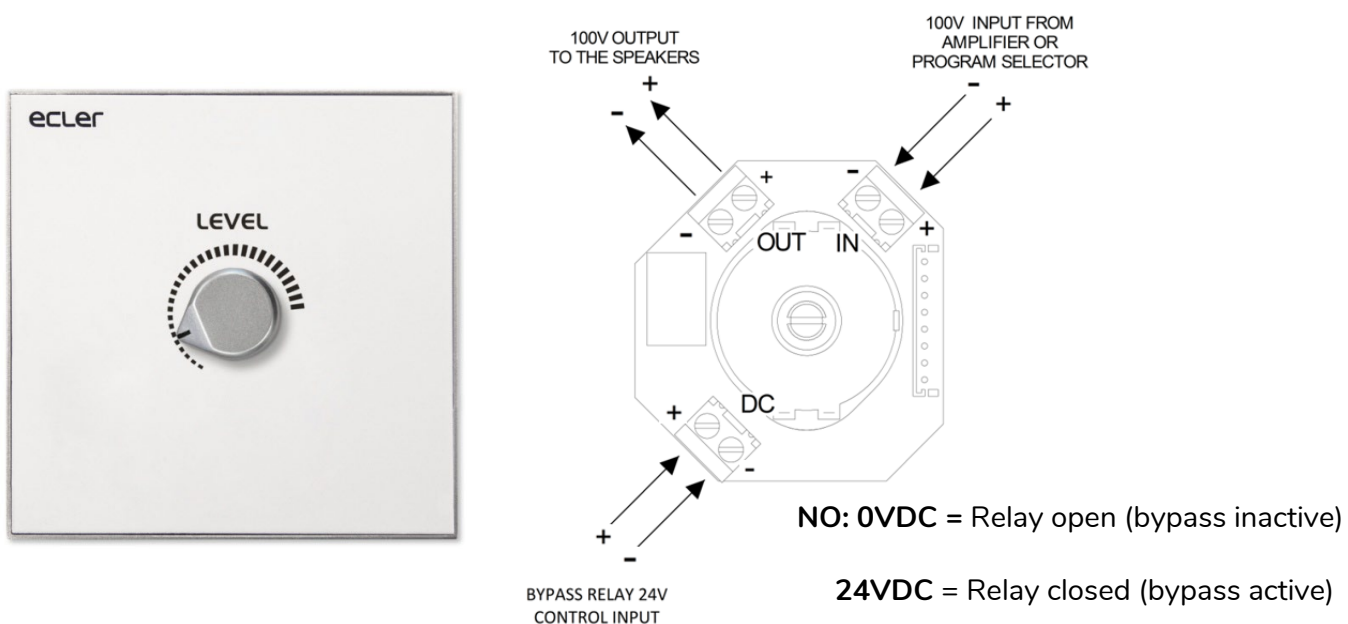


WPaH-AT6 and its connection diagram

6.2 WPaH-AT40

WPaH-AT40 is a 70 / 100V line attenuator with an integrated 24VDC priority relay.
Maximum power output: 40W.

Note: This panel, unlike the rest, has a depth of 50mm



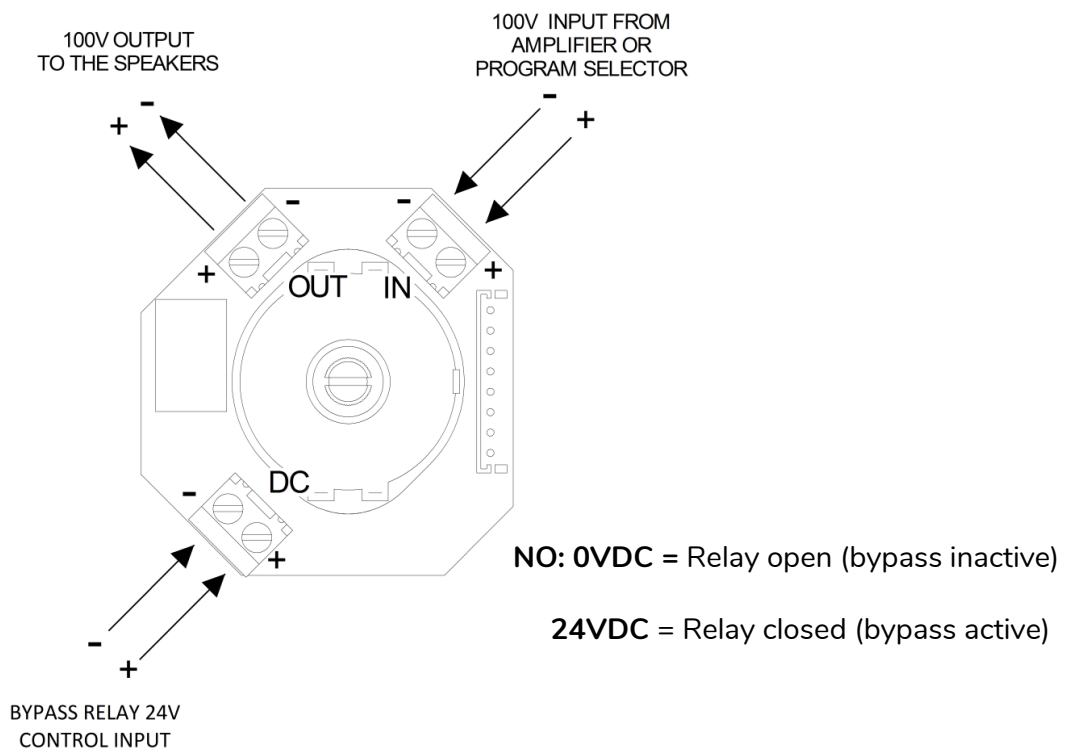
WPaH-AT40 and its connection diagram

6.3 WPaH-AT100

The WPaH-AT100 is a 70/100V line attenuator, with an integrated 24 VDC priority relay.
 Maximum output power: 100 W



WPaH-AT100



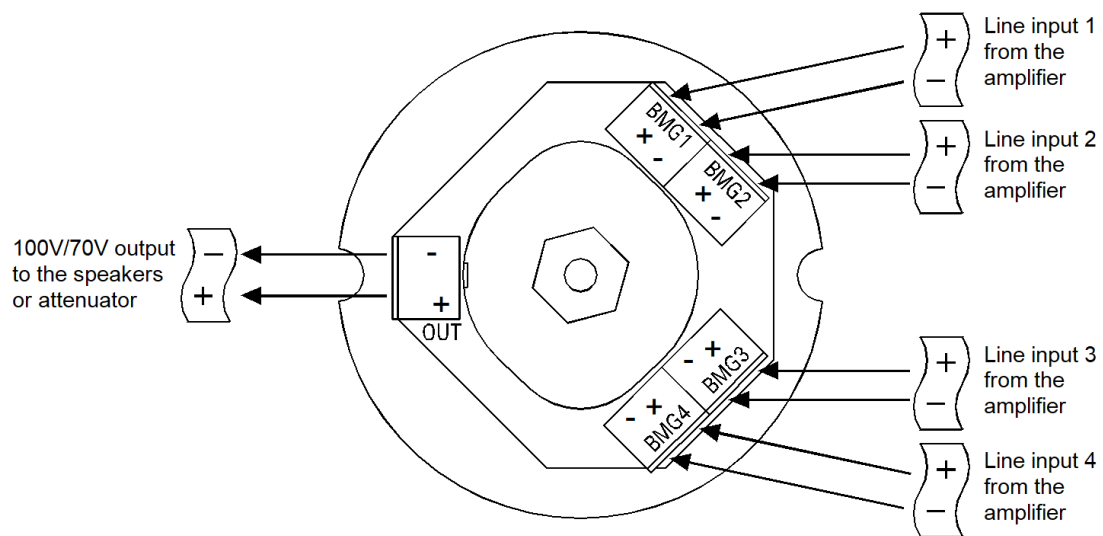
WPaH-AT100 connection diagram

6.4 WPaH-SL4

The WPaH-SL4 is a 70/100V line selector (it selects one of the four music programmes).



WPaH-SL4



WPaH-SL4 connection diagram

7. WPaMIX-T / WPaMIX-TUS (USA model)

The WPaMIX-T / WPaMIX-TUS (USA model) is a two-channel micro-mixer with the standard WPa series wall panel format. It allows an unbalanced stereo signal (RCA) to be mixed with a microphone signal (XLR) to produce a balanced mono signal output.

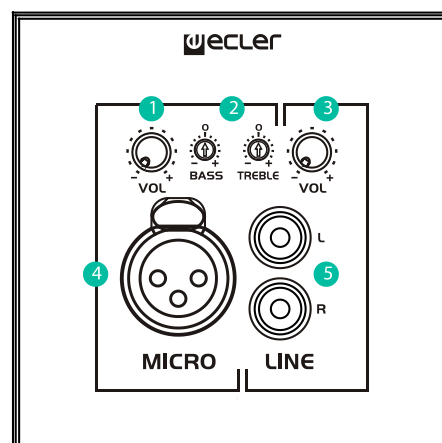
The microphone input includes a two-band equaliser (Bass/Treble) and can operate with priority on the line signal when the microphone exceeds the preset detection threshold.



WPaMIX-T/ WPaMIX-TUS

7.1. Function diagram

1. Volume control at the microphone input
2. Bass (100 Hz) and treble (10kHz) tone controls at the microphone input (± 10 dB).
3. Volume control at the line input
4. XLR connector at the microphone input (balanced signal)
 - Sensitivity: -20 to -40 dBV
5. RCA line input connectors (unbalanced signal)
 - Sensitivity: -10 dBV.

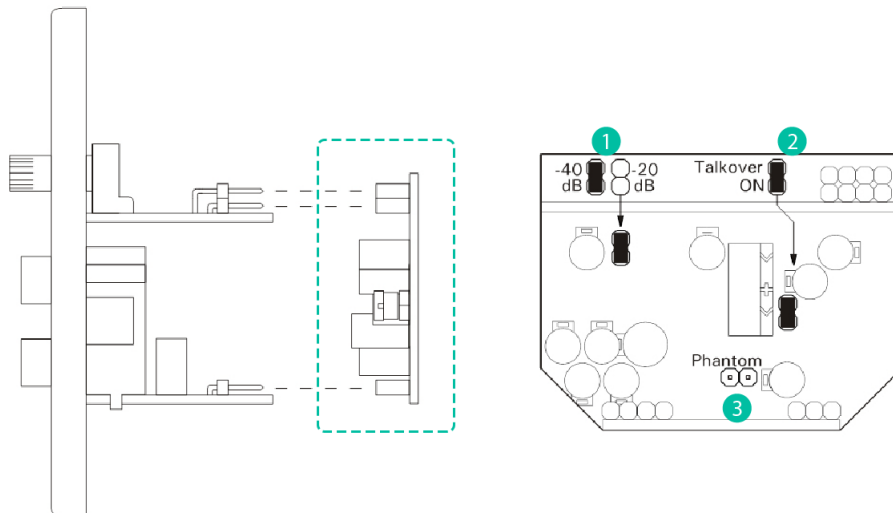


WPaMIX-T / WPaMIX-TUS functions diagram

The Line and Microphone signals are mixed with relative levels depending on their respective VOL volume controls. This mixing is available at the Euroblock connector output terminals of the unit (unbalanced signal, line level is 0 dBV). Furthermore, the microphone signal may use the Talkover function in order to automatically attenuate the line signal when the microphone signal reaches the Talkover detection threshold (see 06.2 for details of Talkover activation)

7.2. Configuration diagram

1. MIC sensitivity selection -20 dBV (jumper removed) or -40 dBV (jumper installed - default position)
2. Talkover function (*): ON (jumper installed - default position) / OFF (jumper removed).
3. Phantom power supply for the MICRO input: ON (jumper installed) / OFF (jumper removed- default position).



WPaMIX-T / WPaMIX-TUS configuration

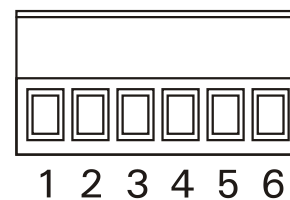
In order to access the configuration jumpers, the circuit must be removed from the rear of the unit by simply pulling on it to unplug it from its connectors and then reinsert it after making the required changes. This operation must be performed with the unit power supply switched off.

(*) Talkover attenuation over the line input: 30 dB

Talkover maintenance time three seconds

7.3. Connection terminal block diagram

1. Balanced audio output + terminal
2. Balanced audio output earth terminal
3. Balanced audio output – terminal
4. Power supply input: 0VDC terminal – (**)
5. Power supply input: +24VDC terminal + (**)
6. Power supply input: +15VDC terminal + (**)



(**) The WPaMIX-T / WPaMIX-TUS requires an external 24VDC power supply (connected to terminals 4 and 5, min 30mA) or 15VDC (connected to terminals 4 and 6, min 30mA). We suggest using the Ecler WP24-PSU, which can power up to twenty WPaMIX-T / WPaMIX-TUS units (depending on voltage losses caused by cable lengths and sections).

Recommendation: Since the WPaMIX-T / WPaMIX-TUS does not incorporate any electromagnetic shielding, we strongly recommend that it is installed well away from power sources and high-voltage cables.

For the installation of an eMCONTROL1 unit next to a WPaMIX-T wall panel or eMCONTROL1US unit next to a WPaMIX-TUS , on surface or flush mounting, see the eMCONTROL1 user manual.


8. REMOTE CONNECTORS

8.1. WPaCNX-CBO

WPaCNX-CBO is a wall-mounted remote control, with an XLR female, 3-pin + stereo jack (combo connector). This connector can be screwed at the rear (does not require any soldering).



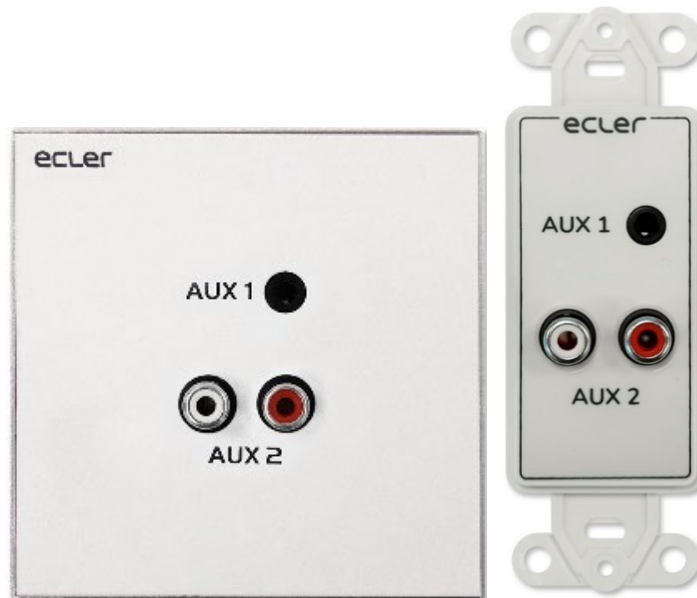
WPaCNX-CBO

Terminal Block Diagram (combo connector)		
Pin 1	SLEEVE/GND	
Pin 2	RING/COLD	
Pin 3	TIP/HOT	

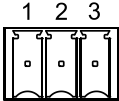
Combo connector connection

8.2. WPaCNX-JRCA / UBWPaCNXJRC

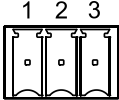
WPaCNX-JRCA / UBWPaCNXJRC is a wall-mounted remote control, with a stereo 1/8" plug connector + two RCA connectors. This connector can be screwed at the rear (does not require any soldering).



WPaCNX-JRCA and UBWPaCNXJRC

Terminal Block Diagram (mini-jack / AUX1)		
Pin 1	SLEEVE	
Pin 2	RING	
Pin 3	TIP	

Mini-jack connection

Terminal Block Diagram (RCA / AUX2)		
Pin 1	GND (earth)	
Pin 2	RIGHT CHANNEL	
Pin 3	LEFT CHANNEL	

RCA connection

9. TECHNICAL SPECIFICATIONS

WPa	
Finished colour	White (RAL 9016)
Dimensions with surface-mount box (W x H x D)	
WPa series:	86 x 86 x 38 mm / 3.39 x 3.39 x 1.50 in.
WPaH-AT40:	86 x 86 x 50 mm / 3.39 x 3.39 x 1.97 in.
WPaH-AT100:	172 x 86 x 38 mm / 6.77 x 3.39 x 1.50 in.
WpaVOLUS	116.5 x 114.8 x 30.8 mm / 4.6 x 4.5 x 1.21 in.
WpaVOL-SRUS	116.5 x 114.8 x 31.3 mm / 4.6 x 4.5 x 1.23 in.

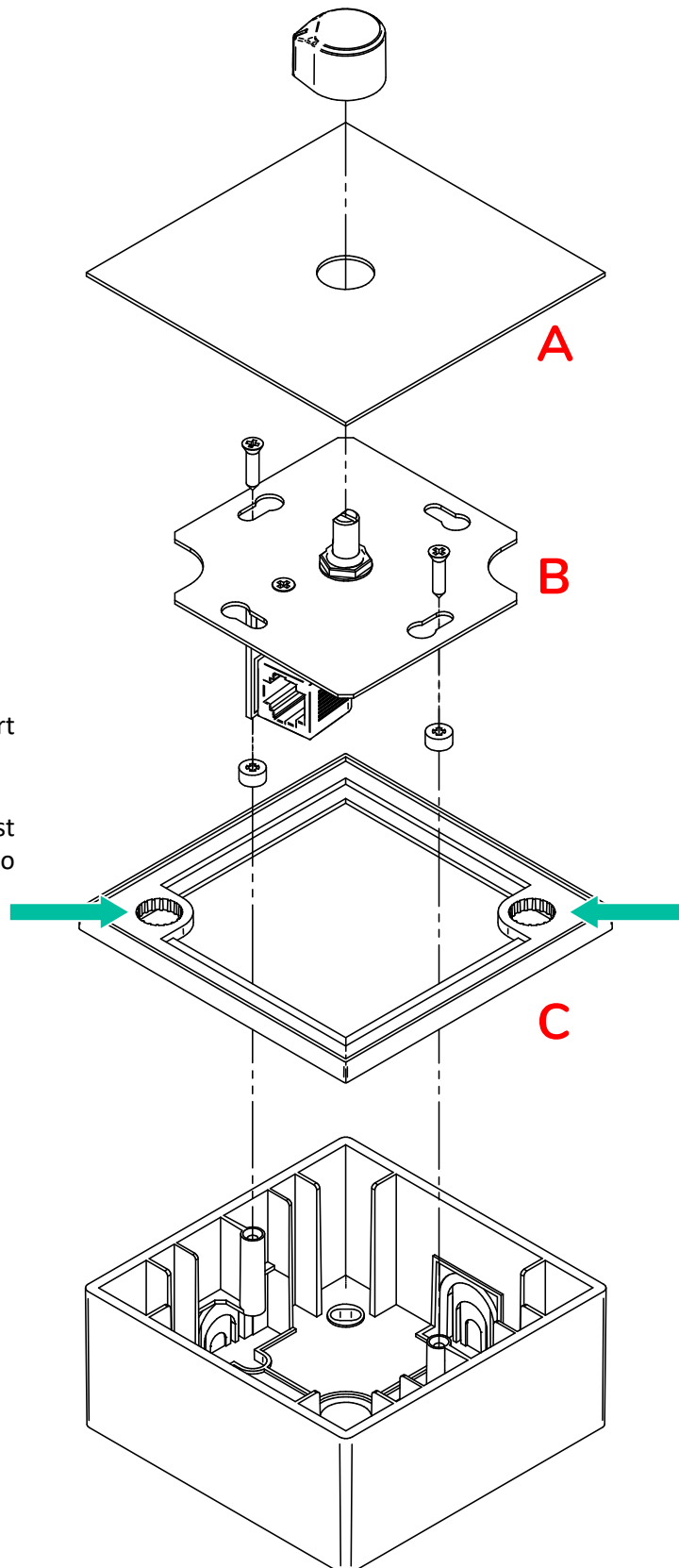
WPaMIX-T / WPaMIX-TUS	
Input Sensitivity/Impedance	LINE: -10dBV / 10k Ω MIC: -40 or -20dBV* / >1k Ω
Output Level/ Minimum Load	0dBV / 600 Ω (max. +17dBV)
Frequency Response	LINE: 5Hz – 30kHz MIC: 10Hz – 40kHz
THD	LINE:<0.005% MIC: <0.01%
CMRR	MIC: >55dB @ 1kHz
Signal Noise Ratio	LINE: >105dB MIC: >90dB
Tone Control	BASS: 100Hz \pm 10dB TREBLE: 10kHz \pm 10dB
Talk-over	-30dB/ 3s approx.
Phantom voltage	+15VDC
External power supply	15VDC (min. 30mA) or 24VDC (min. 30mA) Recommended external power supply: Ecler WP24-PSU
Power Consumption	25mA
Finished colour	White (RAL 9016)
Dimensions (WxHxD)	WPaMIX-T: 86 x 86 x 30 mm / 3.2 x 3.2 x 1.2 in. WPaMIX-TUS : 116.5 x 114.8 x 30 mm / 4.6 x 4.5 x 1.2 in.
Weight	125g.

UBWPaCNX-JRC	
Format	NEMA Single gang
Connectors	Euroblock 3-pin
Finished Colour	White (RAL 9003)
Dimensions	35x65x35mm / 1.4x2.5x1.4 in (WxHxD)
Weight	30 grs / 0.07 lb.

UBWPaVOL	
Format	NEMA Single gang
Potentiometer value	20k Ω
Connectors	RJ45
Finished Colour	White (RAL 9003)
Dimensions	35x65x35mm / 1.4x2.5x1.4 in (WxHxD)
Weight	30 grs / 0.07 lb.

10. MOUNTING DRAWINGS

10.1. WPaVOL, WPaVOLUS, WPaVOL-J, WPaVOL-SR, WPaVOL-SRUS,
 WPaVOL-SR-J, WPaMIX-T, WPaMIX-TUS, WPaCNX-CBO and WPaCNX-JRCA

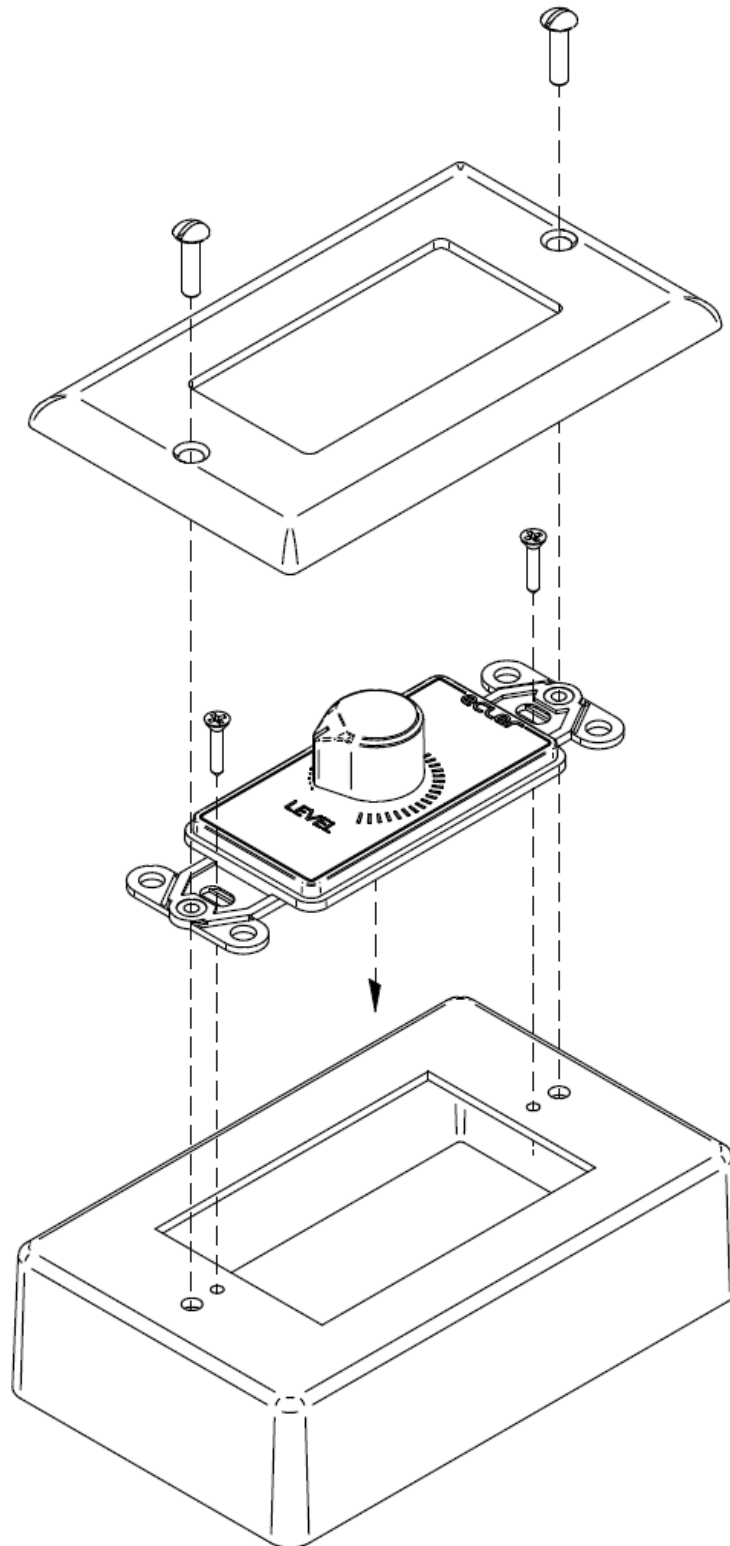


ATTENTION

The **C** frame magnets exert considerable force.

The assembly of parts **A** and **B** must be done with caution in order to avoid damaging the **C** frame lining.

10.2. UBWPaVOL, UBWPaCNXJRC

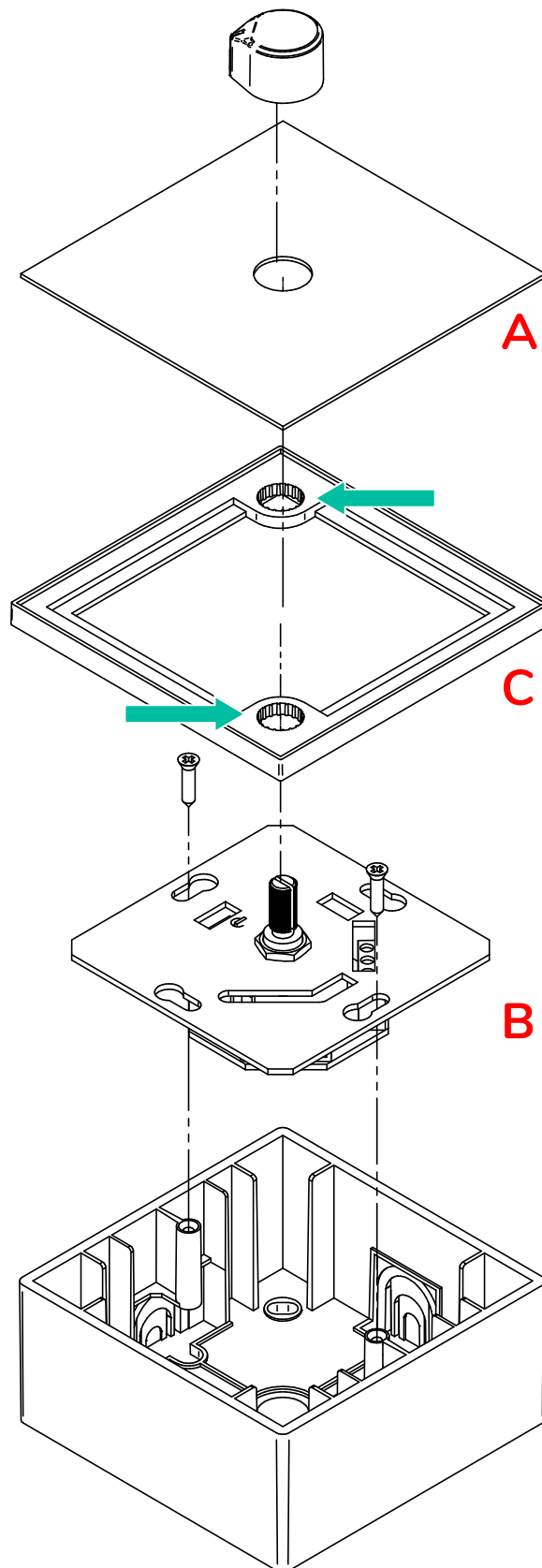


10.3. WPaH-AT6, WPa-SL4

ATTENTION

The **C** frame **magnets** exert considerable force.

The assembly of parts **A** and **B** must be done with caution in order to avoid damaging the **C** frame lining.



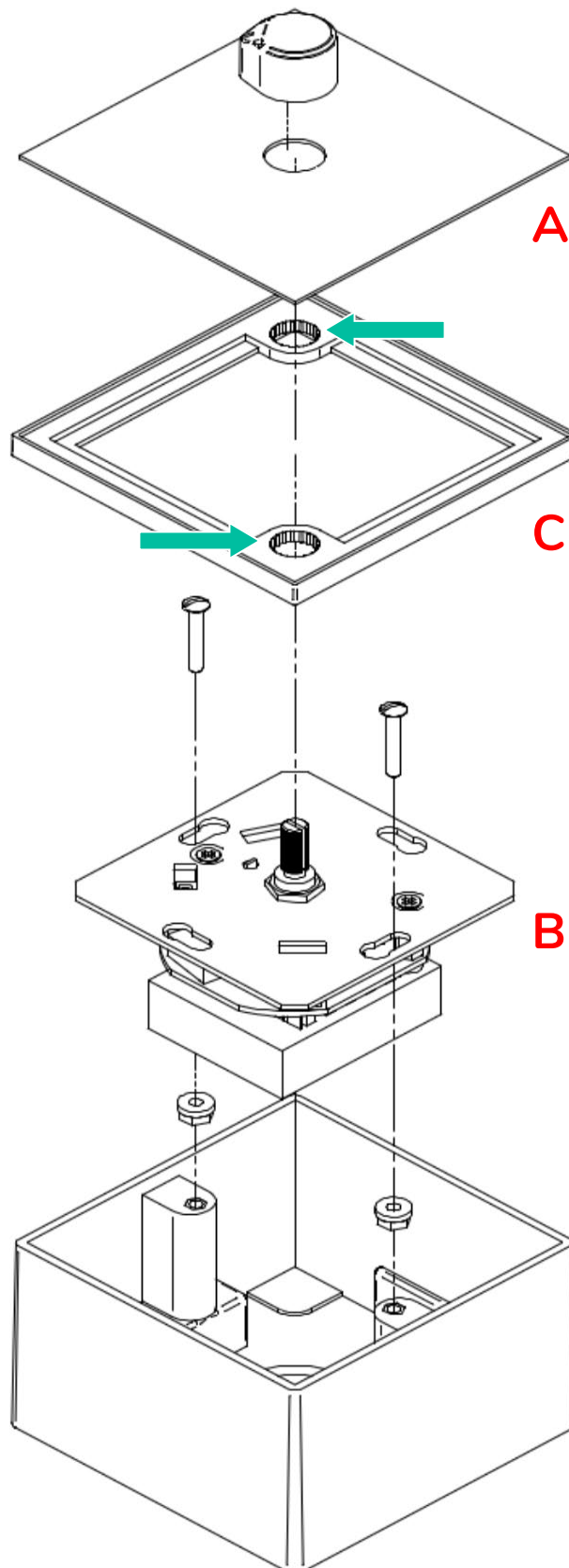
10.4. WPaH-AT40



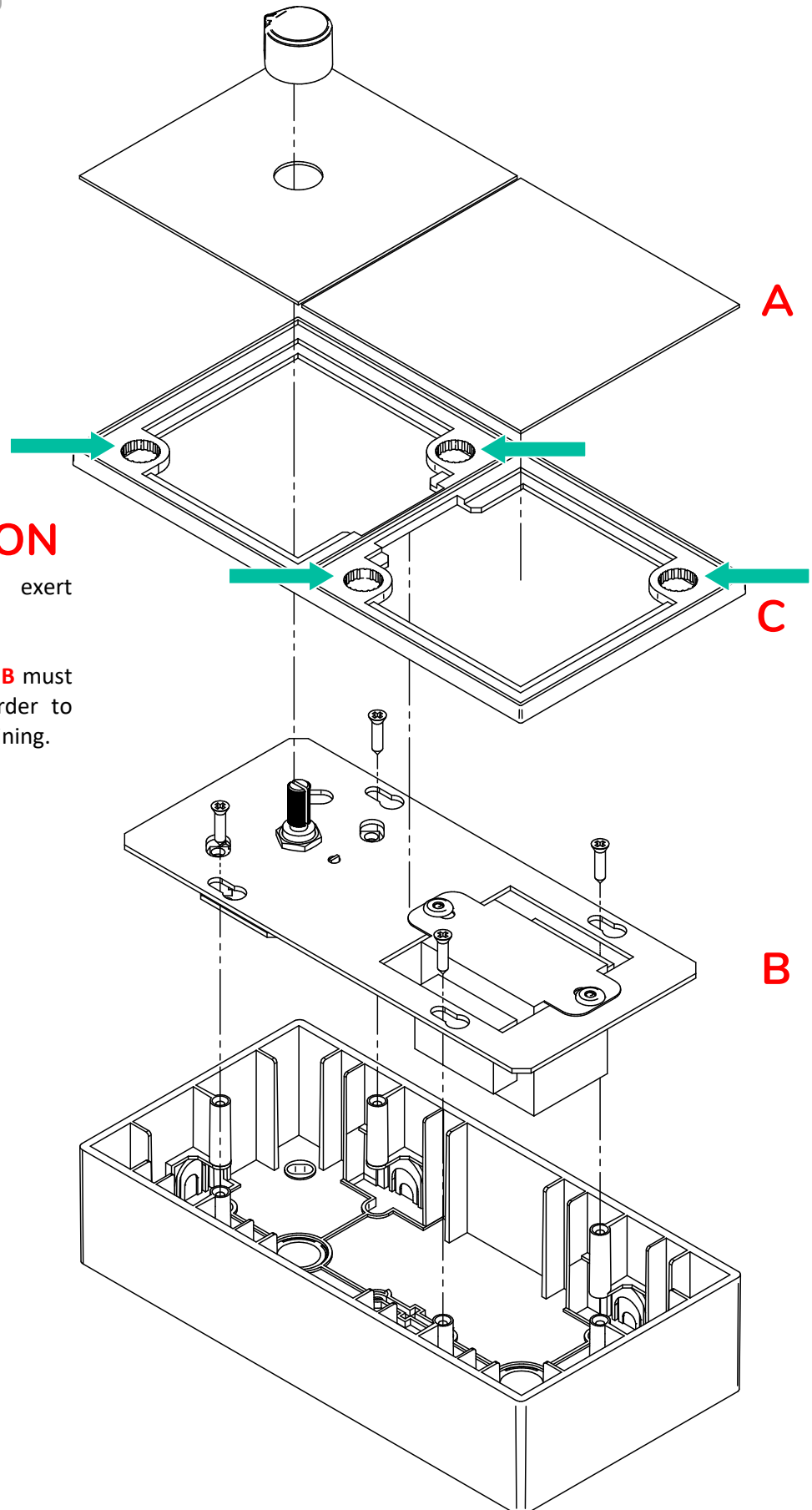
ATTENTION

The **C** frame magnets exert considerable force.

The assembly of parts **A** and **B** must be done with caution in order to avoid damaging the **C** frame lining.



10.5. WPaH-AT100



ATTENTION

The **C** frame magnets exert considerable force.

The assembly of parts **A** and **B** must be done with caution in order to avoid damaging the **C** frame lining.

All product characteristics are subject to variation due to production tolerances. **NEEC AUDIO BARCELONA S.L.** reserves the right to make changes or improvements in the design or manufacturing that may affect these product specifications.

For technical queries contact your supplier, distributor or complete the contact form on our website, in [Support / Technical requests](#).

Motors, 166-168 08038 Barcelona - Spain - (+34) 932238403 | information@ecler.com | www.ecler.com