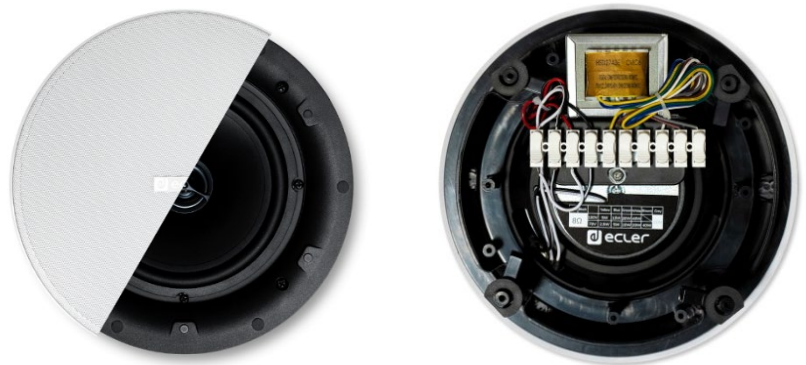


VIC6

CEILING LOUDSPEAKERS

In-ceiling Loudspeaker w/ Back Can & Tile Bridge



PRODUCT OVERVIEW

VIC6 is an in-ceiling loudspeaker with a great sound performance. It features a 6.5" woofer + 0.5" steerable tweeter, 40WRMS @ 8ohm nominal power and 70/100V line transformer with 40/20/10/5/2,5W power connections. The VIC series features a sleek, minimalist design with a magnetic grille that easily attaches to the speaker. This not only makes installation easy, but also allows the grille to be painted to match the décor of the space. VIC series provide a careful selection of components in a user-friendly design that seeks speed and versatility of installation on any surface, while maintaining excellent sound quality.

KEY FEATURES

- 2-way cabinet, 6,5" woofer and 0,5" steerable tweeter
- 40WRMS @ 8Ω
- Power selector: 40 / 20 / 10 / 5 / 2,5W @ 70V
40 / 20 / 10 / 5W @ 100V
8Ω position
- Sensitivity (1W/1m): 89 dB SPL
- Paintable magnetic metal alloy grille
- Diameter: 232mm
- Depth: 105mm
- Colour: White, RAL9010

APPLICATIONS

- Corporate and residential buildings
- Commercial premises
- Leisure centres
- Health and sport centres
- Auditorium, museums
- Meeting and conference rooms

ACCESSORIES AND COMPATIBLE DEVICES

- VIC8/VIC8X & VICSB8/VICSB8X
- AVICSG
- AVICCAN6L

TECHNICAL SPECIFICATIONS

VIC6

System	
Effective frequency range ¹	61 Hz-20 kHz
Coverage angle ²	124° conical
Power handling	40 W RMS / 160 W Peak
Sensitivity ³	89 dB (1W/1m)
Maximum SPL ⁴	105 dB continuous / 111 dB peak
Power options	100V: 40W / 20W / 10W / 5W / 8Ω 70V: 40W / 20W / 10W / 5W / 2,5W / 8Ω
Recommended amplifier power	80 W RMS
Transducers	
Ways	2
Low frequency driver	6,5" woofer
High frequency driver	0,5" steerable tweeter
Nominal impedance	8Ω
Physical	
Installation options	Ceiling
Environmental	IPX4 rated
Grille material	Magnetic, paintable metal alloy
External diameter	232 mm / 9.13"
Internal diameter	205 mm / 8.07"
Recommended cut out diameter	206 mm / 8,11"
Required depth	110 mm / 4.33"
Finished color	White (RAL 9010)
Ceiling thickness	10mm / 0.39" min 50mm / 1.97" max
Dimensions (ØxD)	232x105mm / 8.07"x4.13"
Weight	1.8 kg / 3.97 lb

¹10dB below the sound pressure level at specified sensitivity

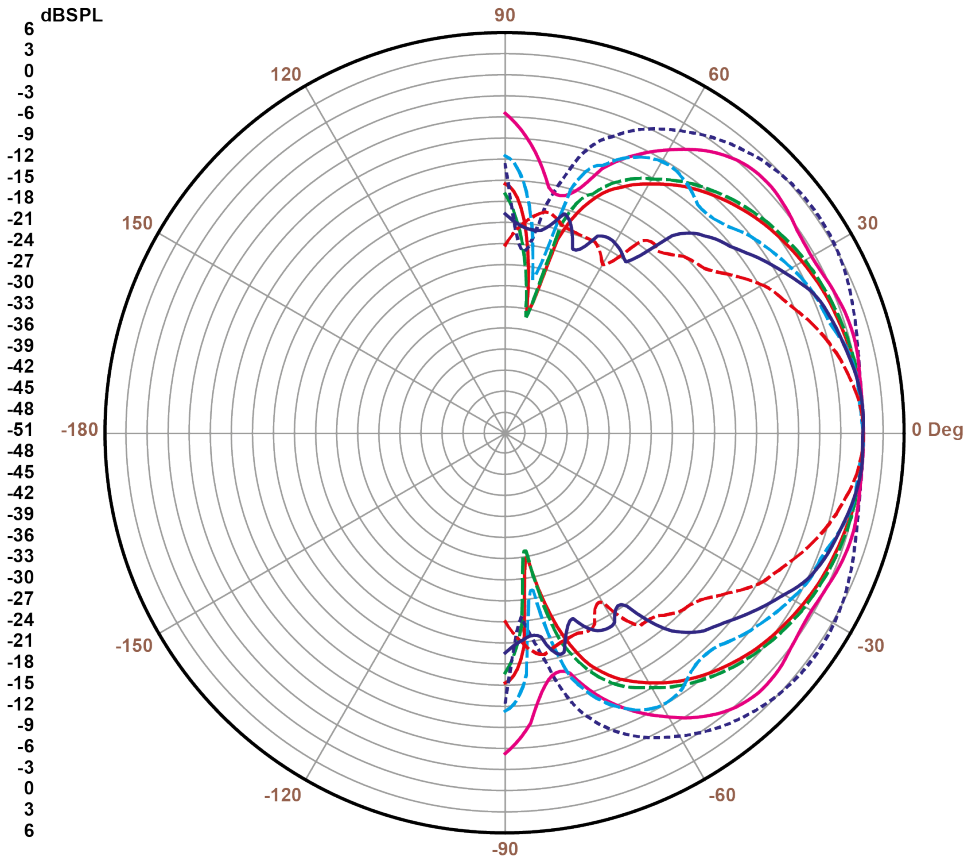
²6dB below the sound pressure level than that at the direction of maximum level, Average from 1 kHz to 4 kHz.

³Measured on-axis, far field and referenced to 1 meter by inverse square law. Average from 100 Hz to 10 kHz.

⁴Calculated from sensitivity and power handling specifications, exclusive of power compression

POLAR DIAGRAMS

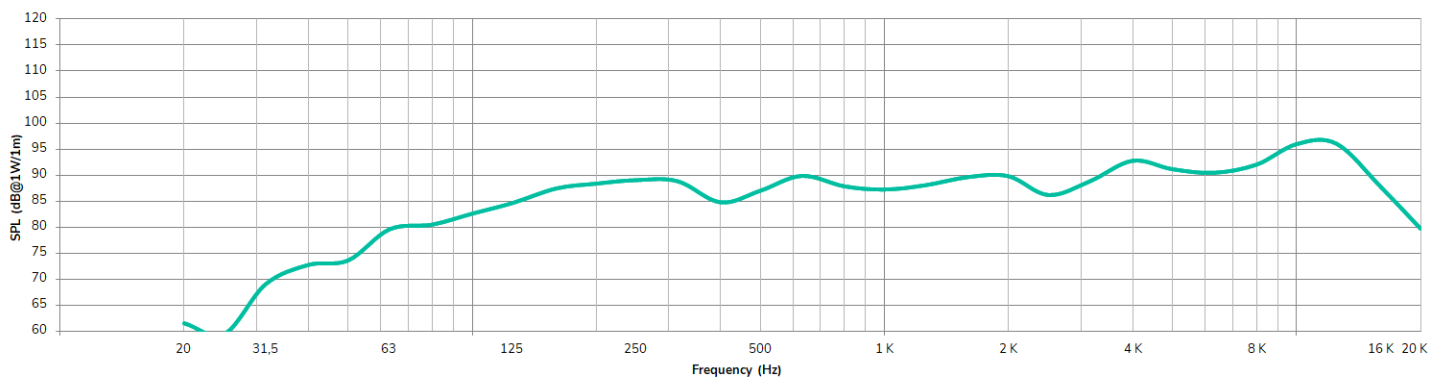
VIC6



Curve	Freq	BW	Q	DI
—	125.00	98	3.7	5.7
- - -	250.00	102	3.5	5.5
· · ·	500.00	140	2.6	4.1
—	1.00K	124	2.9	4.6
- - -	2.00K	75	4.8	6.8
· · ·	4.00K	45	8.0	9.0
—	8.00K	63	5.7	7.5

FREQUENCY RESPONSE

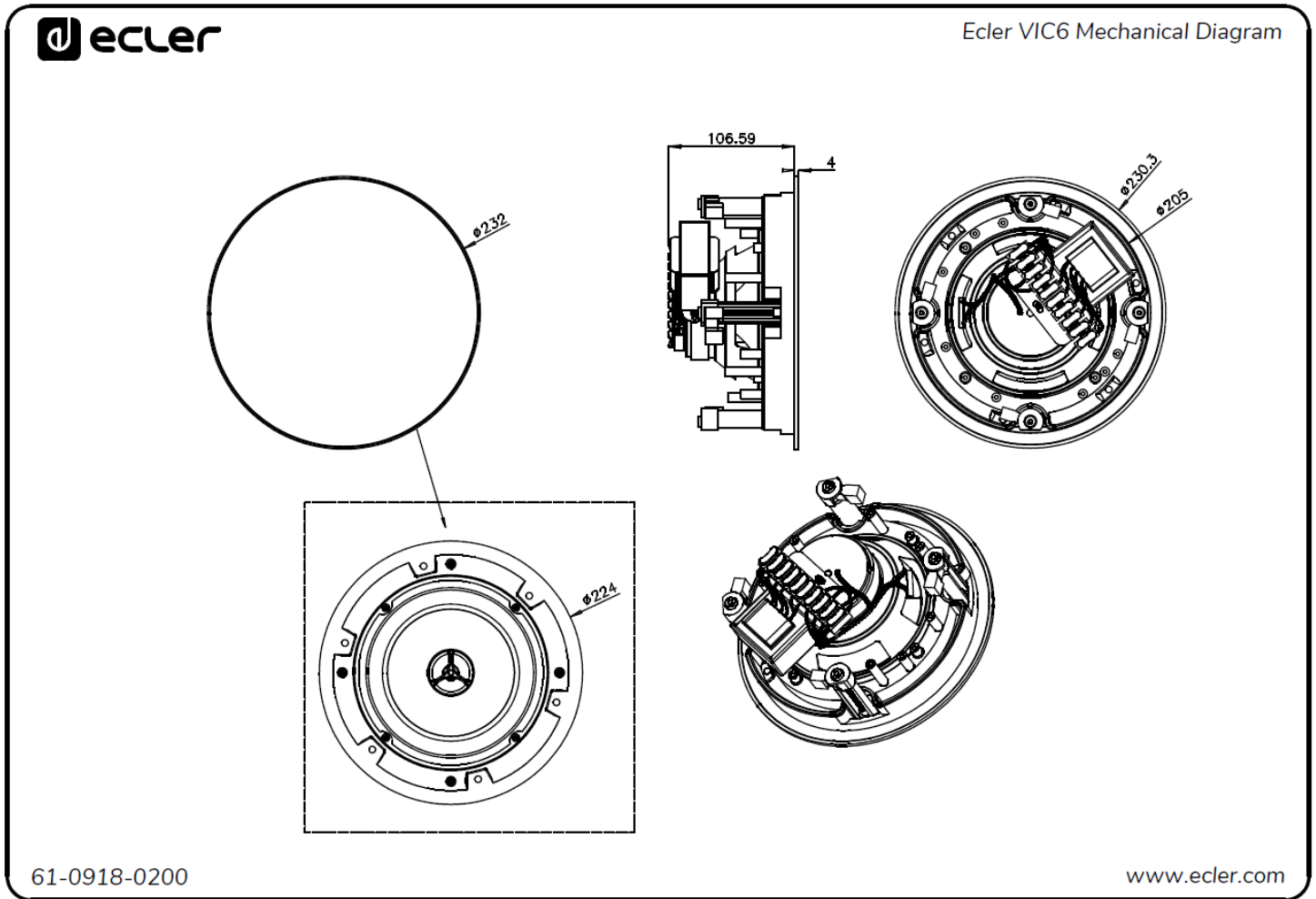
VIC6



MECHANICAL DIAGRAMS

Measurements indicated in mm.

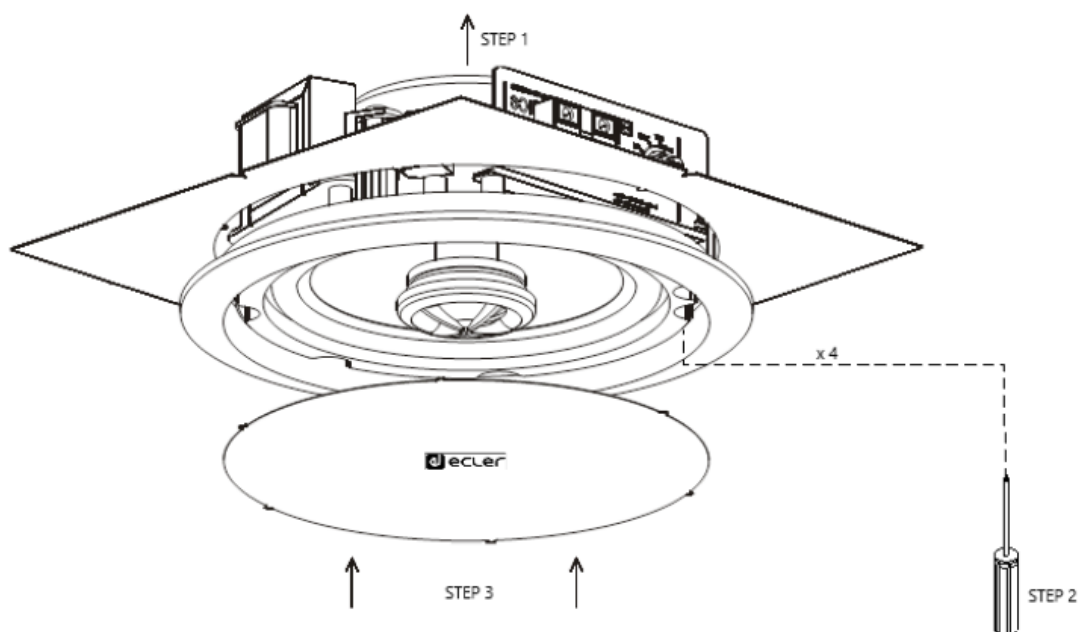
VIC6



61-0918-0200

www.ecler.com

MOUNTING DIAGRAM



All product characteristics are subject to variation due to production tolerances. **NEEC AUDIO BARCELONA S.L.** reserves the right to make changes or improvements in the design or manufacturing that may affect these product specifications.

For technical queries contact your supplier, distributor or complete the contact form on our website, in [Support / Technical requests](#).

Motors, 166-168 -08038 Barcelona - Spain-(+34) 932238403 | information@ecler.com | www.ecler.com