

NXA4-200

DIGITAL AUDIO MANAGERS

Powered Digital Audio Manager



PRODUCT OVERVIEW

NXA4-200 is a 4 channel self-powered digital manager that stays halfway between a digital matrix and a multichannel amplifier. An "all-in-one" digital audio device that becomes a complete audio solution, including several remote control options and a long list of smart features.

KEY FEATURES

- 4 analogue audio inputs x 4 powered audio outputs
- Class D amplifiers (eco friendly)
- Auto stand-by function (eco friendly)
- 100% silent (fanless convection cooling system)
- Health self-test mode function, with FAULT RELAY (for an external redundancy system)
- Integrated anti-clip system
- Integrated DSP processor. Main features:
 - Inputs mixer independent per channel (all inputs available)
 - VOLUME, MUTE, SOLO, PHASE INVERSION, MAX. VOL limit and MIN.VOL limit, LP and HP Crossover filters, parametric EQ filters bank, Ducker, Delay, Compressor and more settings configurable per channel.
 - Ethernet interface, compatible with EclerNet Manager platform and UCP remote control system
 - TP-NET third-party remote control (compatible with CRESTRON®, AMX®, RTI®, VITY®, etc.)

APPLICATIONS

- Live sound
- Centralized, distributed or hybrid fixed installation
- Integration in installation global control systems
- Big Public Address zoned systems
- Installations requiring remote supervision, diagnostic and adjustment via Internet

TECHNICAL SPECIFICATIONS

NXA4-200

Power 20Hz-20kHz 1% THD	
1 Channel @ 4Ω	202 WRMS
1 Channel @ 8Ω	121 WRMS
All Channels @ 4Ω	168 WRMS
All Channels @ 8Ω	107 WRMS
1 Bridge channel @ 8Ω	383 WRMS
Overall Voltage Gain	+26 / +32 dB
Frequency response (-1dB, -3dB)	10Hz – 25kHz
THD + Noise @ 1kHz Full power	<0.08%
Noise Floor (FFT) 20Hz – 20KHz	>100dB (110dB typ.)
Damping factor 1kHz @ 8Ω	>400
Channel Crosstalk @ 1kHz	>75dB
Input connectors	Terminal block (Symmetrical)
Input CMRR/ref. Max. PWR	>50dB
Signal present indicator	Lit at -40dBV
Output connectors	Terminal block
Anticlip limiter	Soft / Mid / Hard
Volume remote control	(0-10VDC) (0.1A max.) 0V = no attenuation / +10V = full attenuation
Remote control connectors	Terminal block
Mains	115V/230V. Voltage changed internally (NOT BY SWITCH)
Power consumption	
(pink noise, 1/8 power @ 4ohm)	225VA
(pink noise, 1/3 power @ 4ohm)	489VA
Stand-by mains consumption	<3W
Processing	
A/D & D/A	24 bit, 48kHz. 115dB AKM Codec
DSP	32/64 bits
Latency	2ms
Analog Input headroom	+18 dBV = +21dBu
Digital Input attenuator	Stepless from -∞ to +0dB
Input Impedance	Balanced, 22kΩ
Maximum Delay	1s (343.4m) for each channel
Delay resolution	20.8μs (6mm)
Compressor / Limiter	
Threshold	from -36dBV to +18dBV
Ratio	1:1 to ∞:1 (limiter)
Attack time	Auto or from 0.1ms to 500ms.
Release time	Auto or from 1ms to 5s.
Output peak voltage limiter	
Peak voltage upon model (auto settings)	From 10Vpk to 70Vpk
High & Low pass Crossover filters	Butterworth in 6/12/18/24dB/oct. Bessel in 12/18/24dB/oct. Linkwitz-Riley in 12/24dB/oct.

Parametric Eq types (8 max. per output)	Bypass / On-Off all channels Param. Eq. 20Hz-20kHz; -60/+12dB; Q from 0.3 to 200 Low & High Shelf 6/12 dB/oct Low & High Pass 6/12 dB/oct. All-Pass 1/2 order
Built In signal generator	Sine (20Hz to 20kHz) Polarity (10/20Hz to 10/20kHz) White Pink
Signal Mute	Yes
Signal Polarity Invert	Yes
Connectivity	Ethernet Base-Tx 10/100Mb, Auto X-Over, Cat5 RS232 57600 (fixed)-8-N-1-N

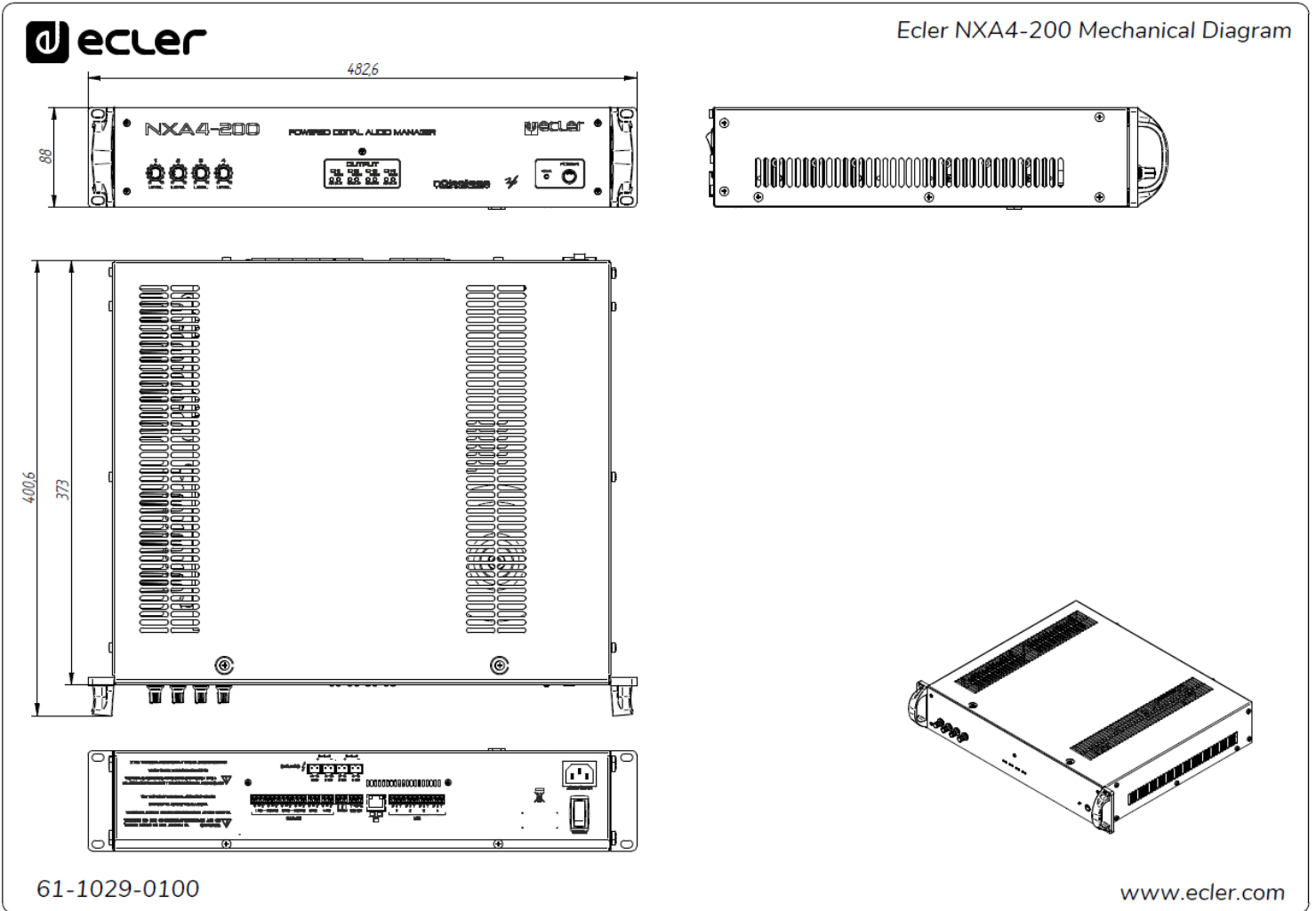
Software

EclerNet Software	Realtime full GUI of all functions and controls through Ethernet with interactive graphical display Grouping mode channels or devices Automated report generation Remote power on with programmable delay. Up to 256 devices on same net. Autodiscovery devices feature Routing capability through NAT gateways. Real time metering at input/output (DSP) Device "Finder" feature Save & Recall setup and preset functions Firmware update capability thru Ethernet Password protection Default Network configuration: IP: 192.168.0.100 Mask: 255.255.255.0 Gate: 192.168.0.1 UDP Port: 2210
Operating System	Windows®: XP Prof. (SP3); Vista (SP1); W7(SP1), W8, W10 and W11.
Minimum EclerNet System Requirements	Pentium IV ® 2GHz 500MB RAM 100MB HDD free space 1024x768 pixels & 16bits color display 10/100/1000 Ethernet Network card

General

Panel Dimensions	482.6 x 88 mm / 19 x 3.46 in.
Depth (Handles and knobs excluded)	373 mm / 14.69 in.
Weight	11.1 kg / 24.47 lb

MECHANICAL DIAGRAM



All product characteristics are subject to variation due to production tolerances. **NEEC AUDIO BARCELONA S.L.** reserves the right to make changes or improvements in the design or manufacturing that may affect these product specifications.

For technical requests address to your supplier, distributor or fill the contact form in our website, at [Support / Technical Request](#).

Motors, 166-168 08038 Barcelona - Spain - (+34) 932238403 | information@ecler.com | www.ecler.com