

EDGE-SB110P

LOUDSPEAKERS

Subwoofers



PRODUCT OVERVIEW

Powerful bass sound in a compact size. EDGE subwoofer is perfectly designed for small available spaces like underneath restaurant seats or wall-mounted in a corner with the included bracket. This powered subwoofer of 181 mm high incorporates a 10" driver, 50Hz to 250Hz variable low pass filter, phase inverter and an amplified power output of 120W.

KEY FEATURES

- Ultra compact powered subwoofer.
- 10" driver.
- 120 W amplified power output.
- Balanced (Euroblock) and unbalanced (RCA) input.
- Balanced (Euroblock) and unbalanced (RCA) Stack Output.
- 50Hz to 250Hz variable low pass filter.
- Auto-standby.
- Phase inverter.
- Available in black colour (RAL9005).
- Several installation options (flat tabletop, underneath seats, vertical, wall-mounted...).
- [EASE files available](#)



APPLICATIONS

- Retail
- Hospitality
- Corporate
- Leisure
- Sports and Wellness

TECHNICAL SPECIFICATIONS

EDGE-SB110P

SYSTEM	
Effective Freq. Range ¹	23Hz - 465Hz (-10dB)
Power handling	120W RMS / 480W Peak
Sensitivity ²	97dB (1W/1m)
Maximum SPL ³	118dB continuous / 124dB peak
TRANSDUCERS	
Ways	Subwoofer
Low frequency driver	10" woofer
Nominal impedance	8Ω
FILTERS	
Low-Pass filter selector	50Hz to 250Hz variable low pass filter
Crossover filter	No
PHYSICAL	
Connection type	RCA & Euro Terminal Block
Installation options	Surface, Wall mounting
Enclosure material	MDF
Mounting system	Wall support system & Supports-legs
Operating temperature	Min: -10°C ; 14°F Max: 40°C ; 104°F
Operating humidity	<85% HR
Storage temperature	Min: -10°C ; 14°F Max: 40°C ; 104°F
Storage humidity	<90% HR
Included accessories	Wall support system / Supports-legs / RCA cables
Finished colour	Black (RAL 9005)
Dimensions (WxHxD)	635 x 181 x 414 mm / 25 x 7.13 x 16.30 in.
Weight	10.35 Kg / 22.82 lb
Pieces per box	1 piece
Shipping dimensions (WxHxD)	758 x 268 x 515 mm / 29.84 x 10.55 x 20.28 in.
Shipping weight	12,9 Kg / 28.44 lb

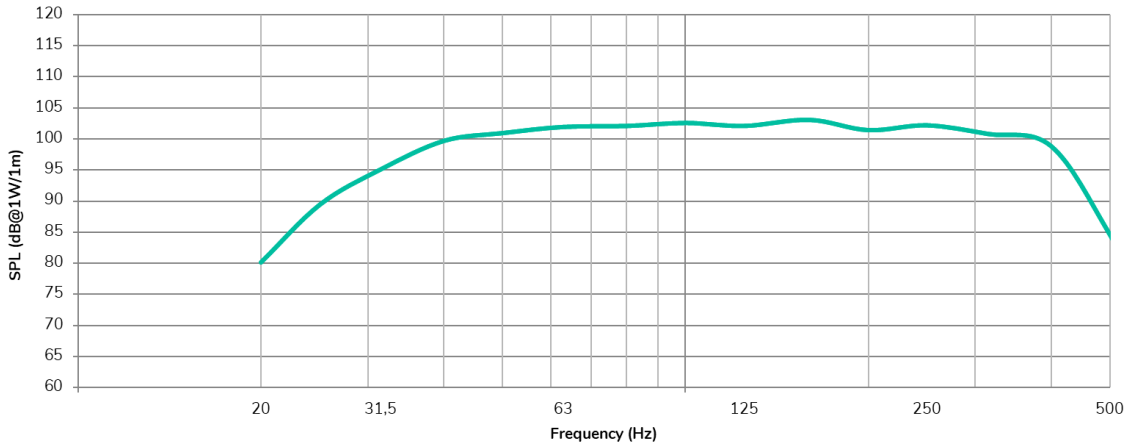
¹ Below the sound pressure level at specified sensitivity

² Measured on-axis, far field and referenced to 1 meter by inverse square law. Average from 100 Hz to 1 kHz.

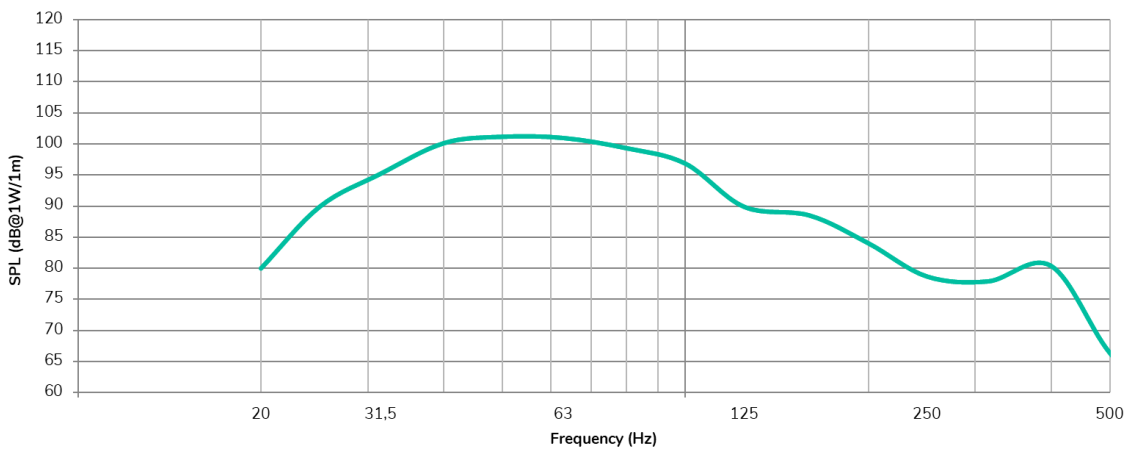
³ Calculated from sensitivity and power handling specifications, exclusive of power compression

FREQUENCY RESPONSE ON-AXIS

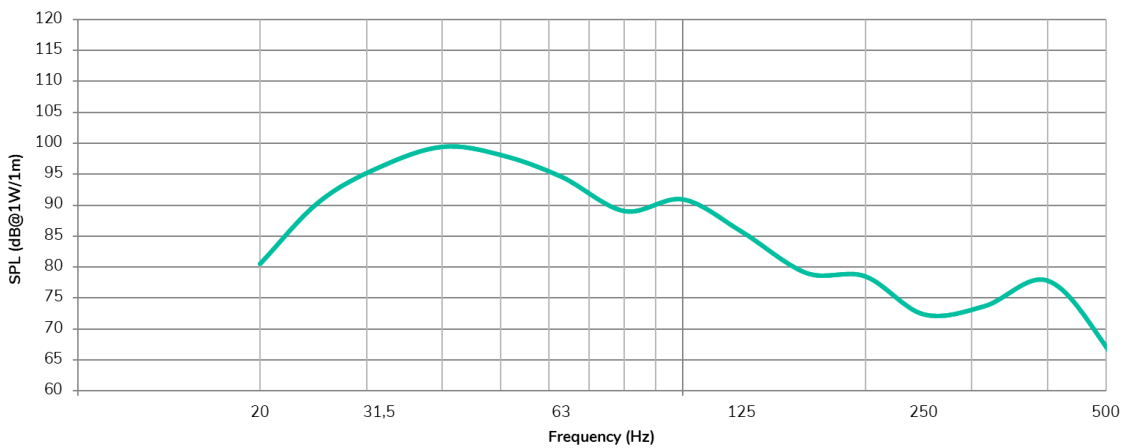
LPF=250Hz



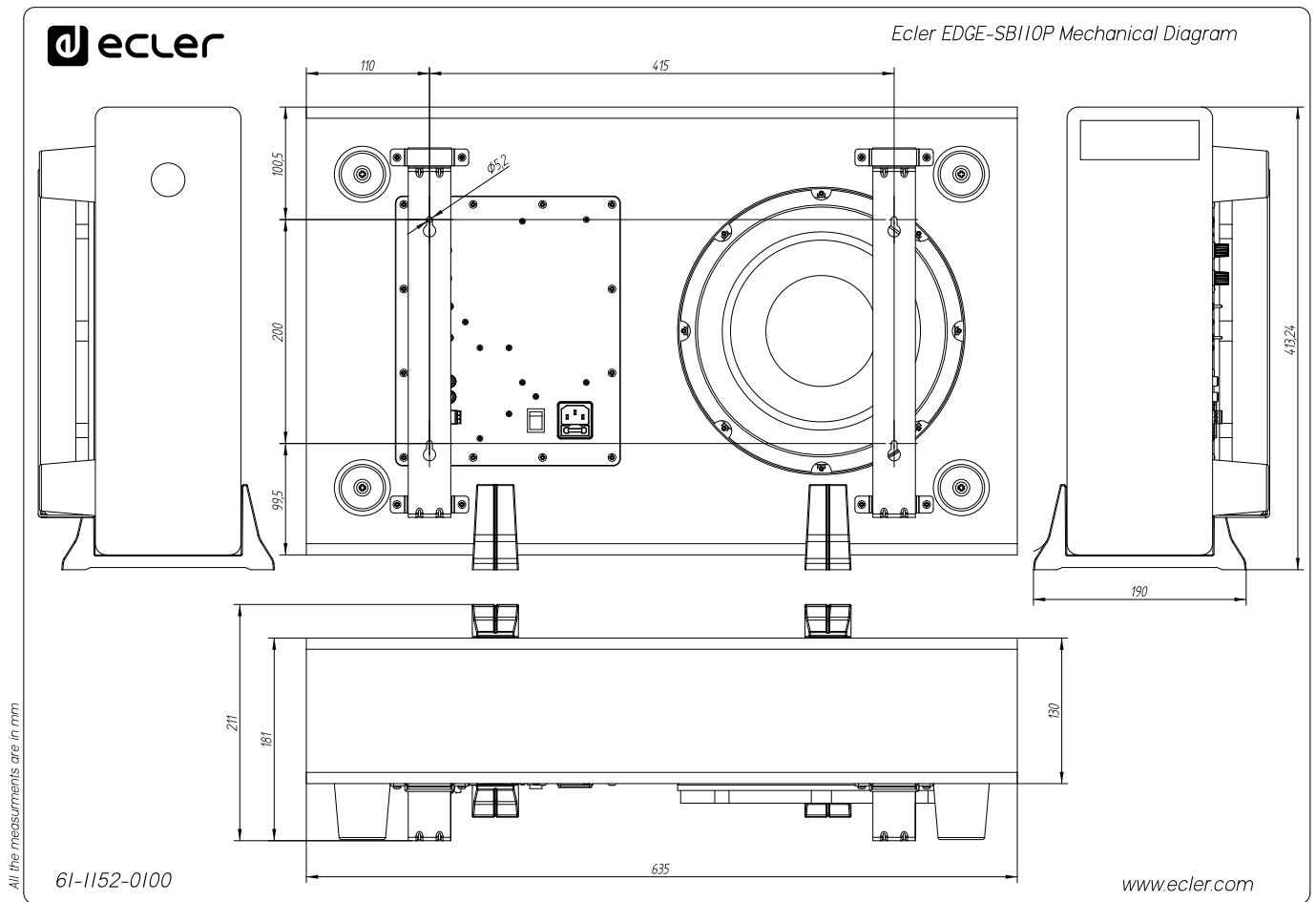
LPF=150Hz



LPF=50Hz



MECHANICAL DIAGRAM



A&E SPECIFICATIONS

The loudspeaker shall be a 1-way wooden powered subwoofer cabinet, incorporating high-efficiency 1x10" woofer. It shall have an RMS power handling of 120 W with a peak power handling of 480 W and the effective frequency range (± 10 dB) shall be from 23Hz-465Hz. The sensitivity shall be 97 dB when measuring with an input signal of 1 Watt at a distance of 1 meter, while the maximum continuous sound pressure level shall be 118 dB. The loudspeaker shall have a nominal impedance of 8 Ω . It shall have an enclosure constructed out of MDF wood. Other functions such as auto-standby, stack output and variable low pass filter shall also be implemented. Input connections shall be implemented using RCA and 3-pin terminal block connectors, and stack outputs shall be available with both balanced and unbalanced connectors. The full range system's enclosure shall be 635mm wide, 181mm high and 414mm deep and the weight shall not exceed 10.35Kg.

The loudspeaker shall be the EDGE-SB110P.



All product characteristics are subject to variation due to production tolerances. **NEEC AUDIO BARCELONA S.L.** reserves the right to make changes or improvements in the design or manufacturing that may affect these product specifications.

For technical queries contact your supplier, distributor or complete the contact form on our website, in [Support / Technical requests](#).

Motors, 166-168 - 08038 Barcelona - Spain | Tel. (+34) 932238403 | information@ecler.com | www.ecler.com