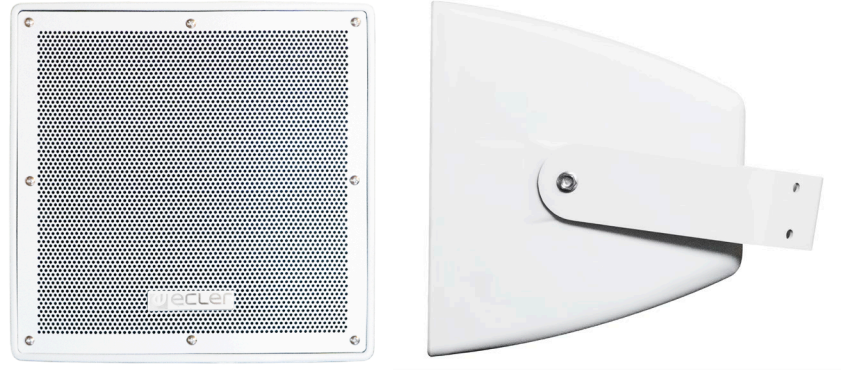


eCMP8

SPECIALIZED LOUDSPEAKERS

Musical Projector



PRODUCT OVERVIEW

eCMP8 is a 150W high efficiency musical projector ready for outdoor applications due to its waterproof and sun screening building material (IP56). It performs an 8" LF driver and 1,4" HF coaxial driver, 150W @ 8 Ω nominal power and 70/100V line transformer with 37, 5/75/150W/ 8 Ω power options.

KEY FEATURES

- Weatherproof 2-way music projector.
- 150 W @ 8 Ω
- Power options 100V: 37,5/75/150W/OFF and 8 Ω
- Power options 70V: 18,75/37,5/75W/OFF and 8 Ω
- Max SPL (Peak) :125dB.
- Frequency response (-10dB): 87Hz – 20kHz.
- Dispersion (HxV): 135° x 135°.
- Wheather-resistant IP56 rating.
- Input & output connection via terminal block.
- Matrerial: Polypropylene, aluminium (grille), hot-dipped. galvanized steel (U-bracket).

APPLICATIONS

- Commercial
- Hospitality
- Education
- Corporate
- Sports and wellness
- House of worship
- Leisure

TECHNICAL SPECIFICATIONS

eCMP8

System	
Effective frequency range ¹	87 Hz-20 kHz
Coverage angle ²	135°x135° (HxV)
Power handling	150 W RMS / 600 W Peak
Sensitivity ³	97dB (1W/1m)
Maximum SPL ⁴	119 dB continuous / 125 dB peak
Power options	100V: 150W / 75W / 37,5W / OFF and 8Ω 70V: 75W / 37,5W / 18,75W / OFF and 8Ω
Recommended amplifier power	300 W RMS
Transducers	
Ways	2-ways long throw
Low Frequency driver	8"
High Frequency driver	1,4" coaxial
Nominal impedance	8Ω
Filters	
Crossover filter	2,1 kHz
Physical	
Connection type	Terminal block (input+output)
Environmental	IP56
Enclosure material	Polypropylene
Grille material	Aluminium
Mounting system	Hot-dipped galvanized steel U-bracket
Operating temperature	Min: -10°C; 14°F Max: 40°C; 104°F
Operating humidity	<85% HR
Storage temperature	Min: -10°C; 14°F Max: 40° ; 104°F
Storage humidity	<90% HR
Finished color	Grey (RAL 538C)
Dimensions (WxHxD)	300 x 302 x 280 mm /11.8 x 11.9 x 11.02 in. (If the mounting bracket is added the total depth will be 334mm / 13.2")
Weight	11.0 kg / 24.3 lb
Shipping Dimensions (WxHxD)	360 x 355 x 335 mm / 14.17 x 13.98 x 13.19 in
Shipping Weight	11.7 kg / 25.79 lb

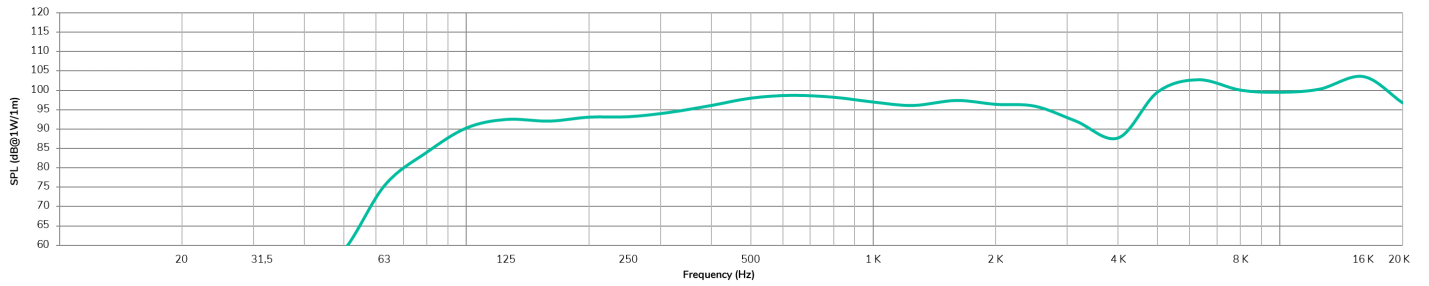
¹10dB below the sound pressure level at specified sensitivity

²6dB below the sound pressure level than that at the direction of maximum level, Max. angle between 1 kHz and 4 kHz.

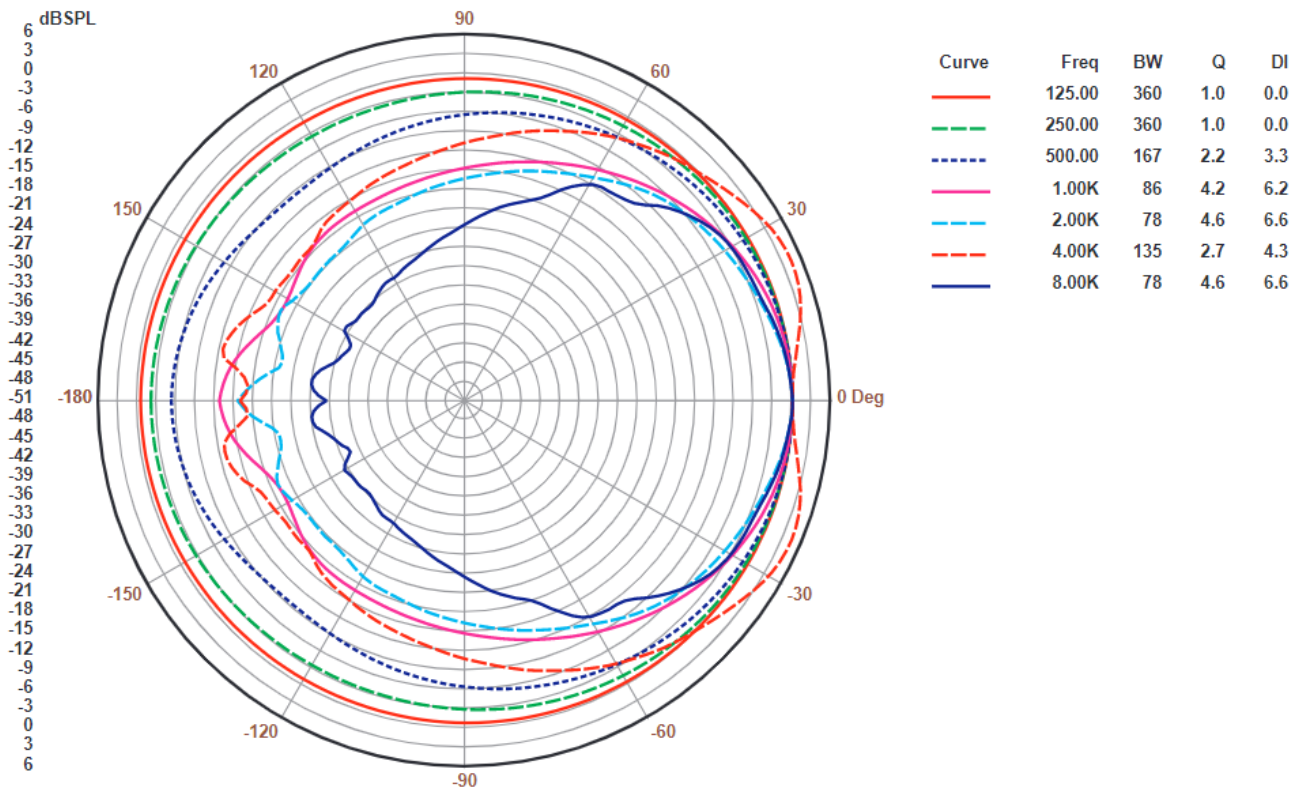
³Measured on-axis, far field and referenced to 1 meter by inverse square law. Average from 100 Hz to 10 kHz.

⁴Calculated from sensitivity and power handling specifications, exclusive of power compression

FREQUENCY RESPONSE ON-AXIS



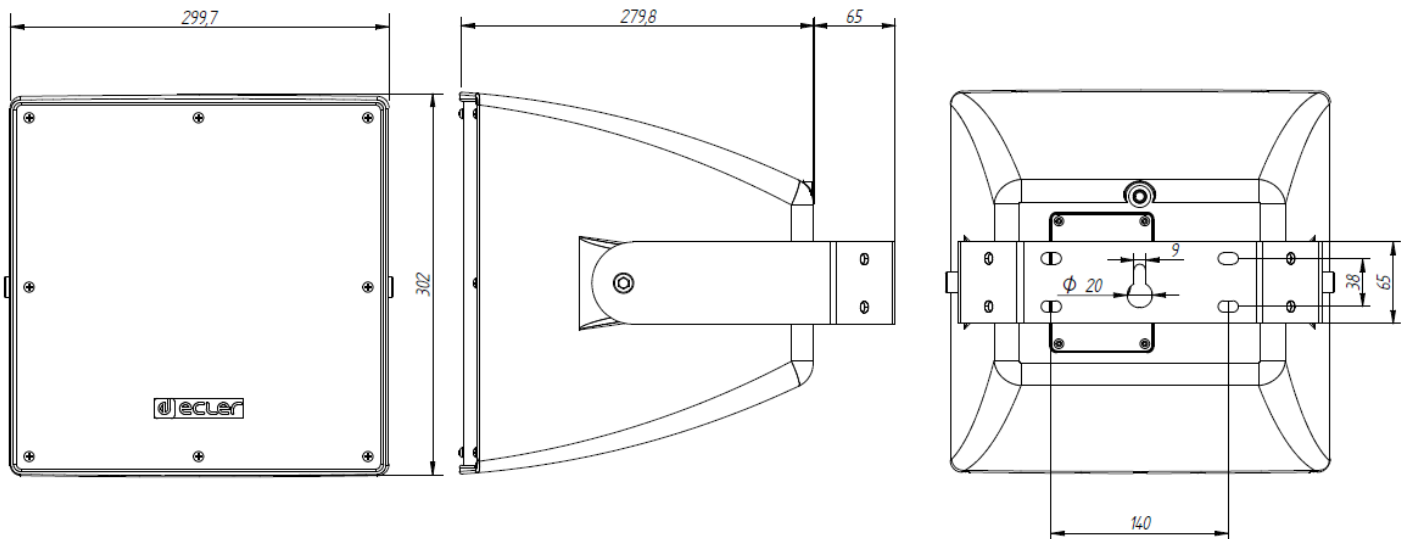
POLAR DIAGRAMS



MECHANICAL DIAGRAMS



Ecler eCMP8 Mechanical Diagram



All the measurements are in mm

61-1075-0100

www.ecler.com



All product characteristics are subject to variation due to production tolerances. **NEEC AUDIO BARCELONA S.L.** reserves the right to make changes or improvements in the design or manufacturing that may affect these product specifications

For technical queries contact your supplier, distributor or complete the contact form on our website, in [Support / Technical requests](#).

Motors, 166-168 08038 Barcelona - Spain - (+34) 932238403 | information@ecler.com | www.ecler.com