

## eIC52

### CEILING LOUDSPEAKERS


#### Ceiling Loudspeakers



#### PRODUCT OVERVIEW

eIC52 is a 2 way cost-effective in-ceiling loudspeaker with a great sound performance. It features a 5.25" woofer and a 0.75" tweeter, 20 WRMS @ 8 ohm nominal power and 100V line transformer with 3 and 6 W power selections.

#### KEY FEATURES

- Two-way ABS speaker, 20 WRMS
- 5,25" woofer + 0,75" tweeter
- Built-in audio transformer for 70/100 V use
- Clip-type input terminals and low impedance / high impedance power tap selector
- EASE Win file available 

#### APPLICATIONS

- Corporate and residential buildings
- Commercial premises
- Leisure centres
- Health and sports centres
- Meeting and conference rooms
- Auditoriums, museums

## TECHNICAL SPECIFICATIONS

## eIC52

System	
Effective frequency range <sup>1</sup>	65 Hz-20 kHz
Coverage angle <sup>2</sup>	151°x151° (HxV)
Power handling	20 W RMS / 80 W Peak
Sensitivity <sup>3</sup>	89 dB (1W/1m)
Maximum SPL <sup>4</sup>	102dB continuous / 108dB peak
Power options	100V: 6W / 3W / 8Ω 70V: 6W / 3W / 8Ω
Recommended amplifier power	40 W RMS
Transducers	
Ways	2
Low frequency driver	5,25" woofer
High frequency driver	0,75" tweeter
Nominal impedance	8Ω
Physical	
Connection type	Clip-type input terminals
Power type selector	Power tap selector
Installation options	In-ceiling, in-wall
Enclosure material	ABS
External diameter	202 mm / 7.95"
Internal diameter	164 mm / 6.46"
Recommended cut out diameter	165 mm / 6.50"
Finished colour	White (RAL 9003)
Required depth	65 mm / 2.56"
Ceiling thickness	5mm / 0.19" min 30mm / 1.18" max
Weight	1.0 kg / 2.2 lb

<sup>1</sup>10dB below the sound pressure level at specified sensitivity

<sup>2</sup>6dB below the sound pressure level than that at the direction of maximum level. Max. angle between 1 kHz and 4 kHz.

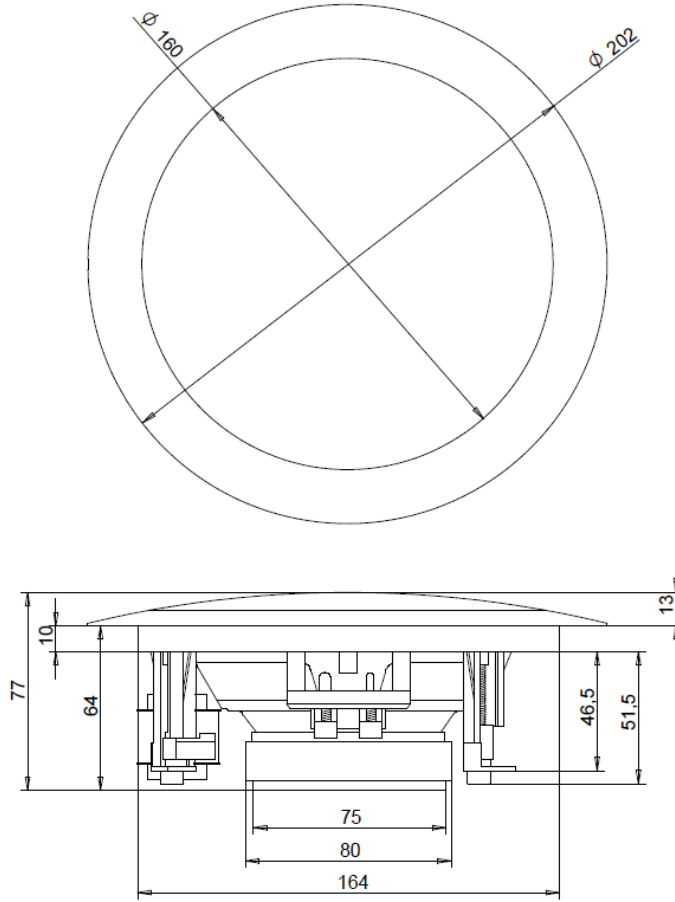
<sup>3</sup>Measured on-axis, far field and referenced to 1 meter by inverse square law. Average from 100 Hz to 10 kHz.

<sup>4</sup>Calculated from sensitivity and power handling specifications, exclusive of power compression

MECHANICAL DIAGRAM



Ecler eIC52 Mechanical Diagram

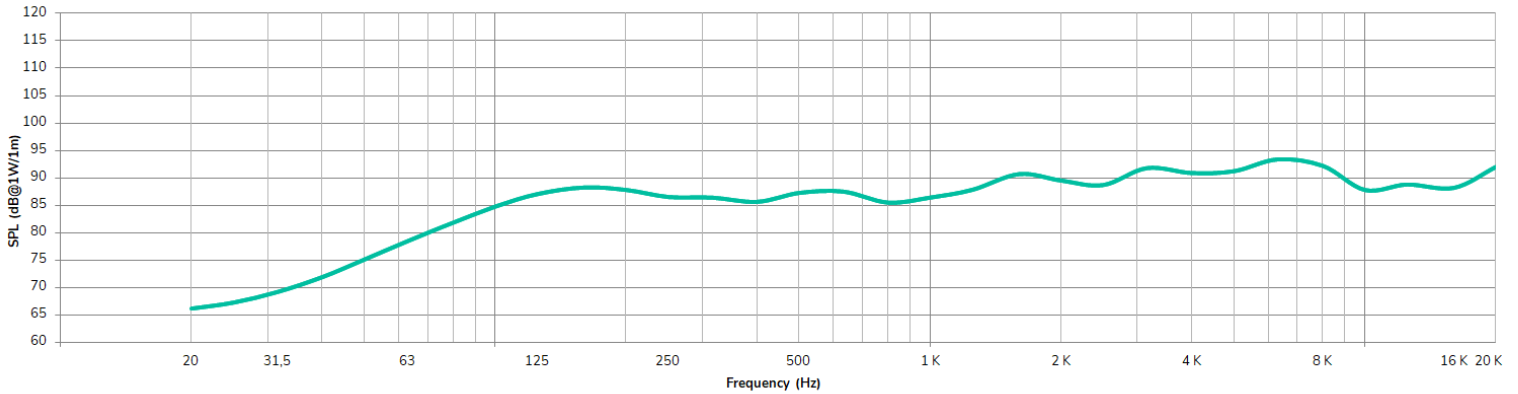


All the measurements are in mm

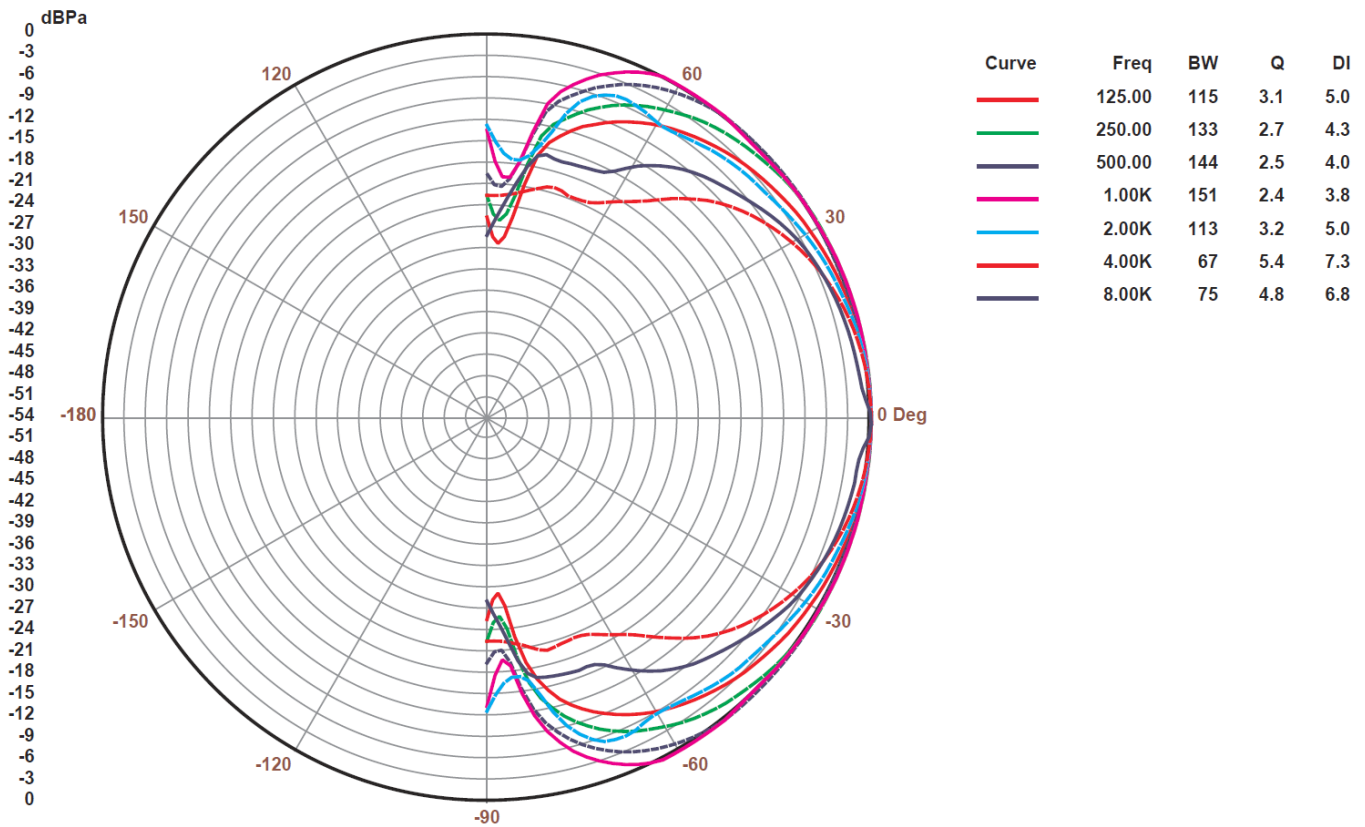
61-1074-0100

[www.ecler.com](http://www.ecler.com)

### FREQUENCY RESPONSE



### POLAR DIAGRAMS



All product characteristics are subject to variation due to production tolerances. **NEEC AUDIO BARCELONA S.L.** reserves the right to make changes or improvements in the design or manufacturing that may affect these product specifications.

For technical requests address to your supplier, distributor or fill the contact form in our website, at [Support / Technical Request](#).

Motors, 166-168 08038 Barcelona - Spain - (+34) 932238403 | [information@ecler.com](mailto:information@ecler.com) | [www.ecler.com](http://www.ecler.com)