

ePHS30Ti

SPECIALIZED LOUDSPEAKERS

Horn loudspeaker



PRODUCT OVERVIEW

ePHS30Ti is a 30W horn loudspeaker, carefully selected for the most widespread 70/100V applications: paging and background music. It offers durability and an optimal voice and music reproduction. It is made of reinforced ABS and IP66 certified, ideal for high performance outdoors.

KEY FEATURES

- Water-resistant ABS horn loudspeaker
- 30WRMS @ 8Ω
- Power selector @ 100V: 30W / 15W / 7,5W / 3,75W / OFF & 8Ω
- Power selector @ 70V: 15W / 7,5W / 3,75W / 1,9W & 8Ω
- IP66 certified
- Connection by bare wire
- Light grey colour (RAL 7035)

APPLICATIONS

- Commercial
- Corporate
- Leisure

TECHNICAL SPECIFICATIONS

ePHS30Ti

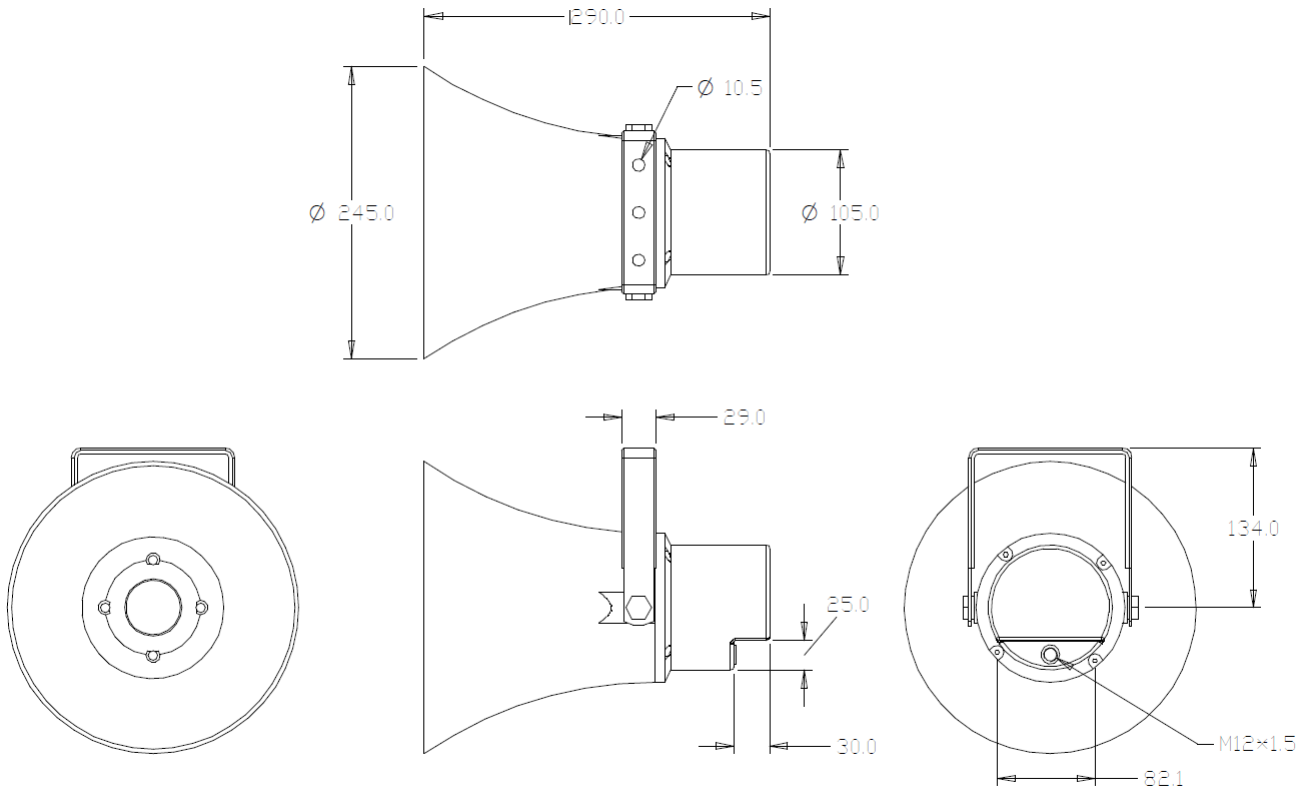
Power	30WRMS @ 8Ω
Power options @ 100V	30W / 15W / 7,5W / 3,75W / OFF & 8Ω
Power options @ 70V	15W / 7,5W / 3,75W / 1,9W & 8Ω
Frequency response (-10dB) ¹	300 Hz-10 kHz
Coverage angle ²	107°x107° (HxV)
Sensitivity 1W/1m ³	104 dB
IP rating	IP66 (IEC60529 Certified)
Finished color	Light grey (RAL 7035)
Material	ABS Horn
Operating and storage conditions	Min -20°C (-4°F); Max +60°C (+140°F)
Cord length	350mm / 13.8"
Dimensions (Ø x L)	Ø 246 x 292mm / Ø 9.7" x 11.5"
Weight	2,4 kg. / 5.3 lb. (including accessories)

¹ 10dB below the sound pressure level at specified sensitivity

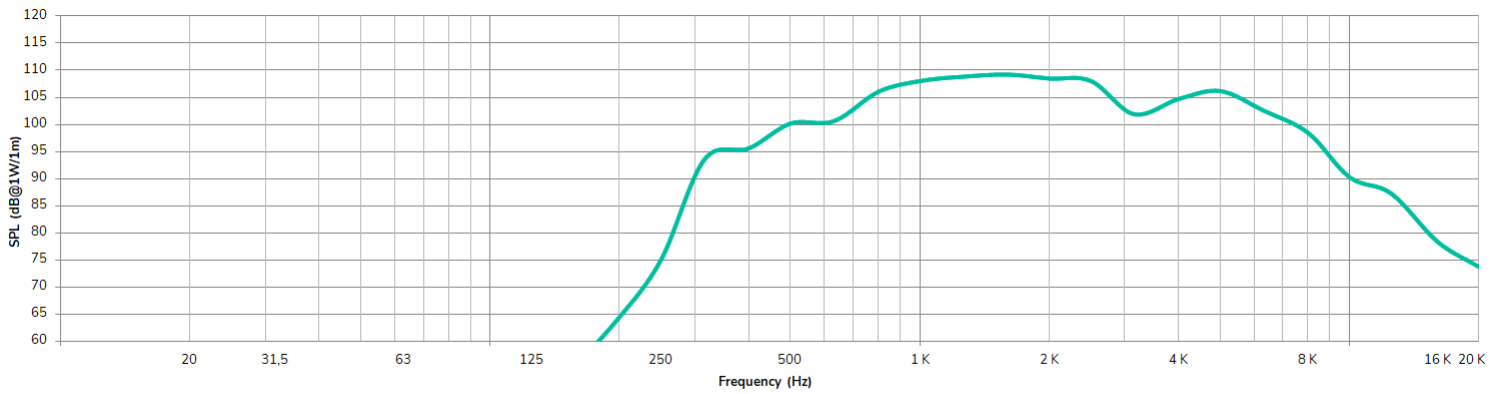
² 6dB below the sound pressure level than that at the direction of maximum level. Max. angle between 1 kHz and 4 kHz.

³ Measured on-axis, far field and referenced to 1 meter by inverse square law. Average from 100 Hz to 10 kHz.

MECHANICAL DIAGRAMS

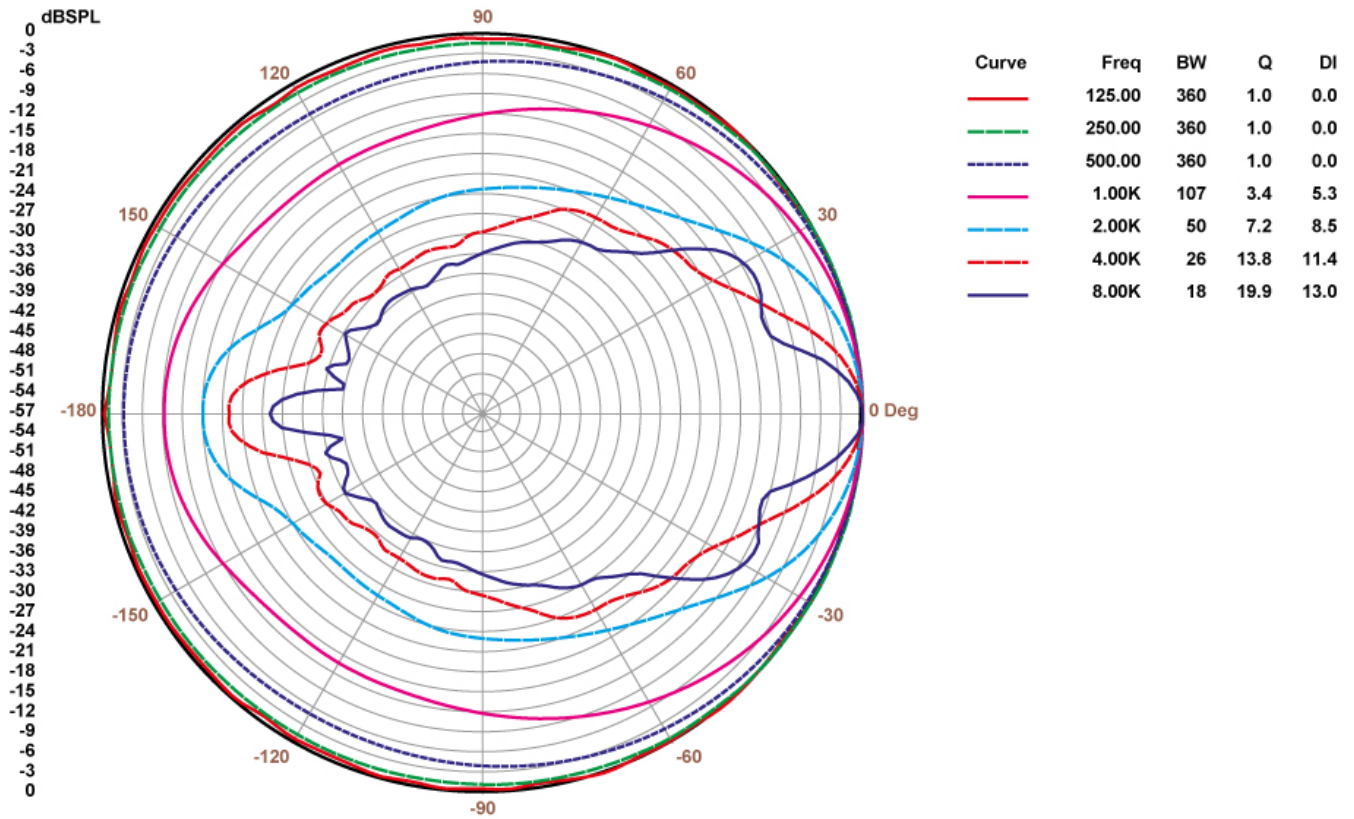


FREQUENCY RESPONSE DIAGRAMS



POLAR DIAGRAMS

SPL vs Angle



All product characteristics are subject to variation due to production tolerances. **NEEC AUDIO BARCELONA S.L.** reserves the right to make changes or improvements in the design or manufacturing that may affect these product specifications

For technical queries contact your supplier, distributor or complete the contact form on our website, in [Support / Technical requests](#).

Motors, 166-168 08038 Barcelona - Spain - (+34) 932238403 | information@ecler.com | www.ecler.com