

ePRS10Ti

SPECIALIZED LOUDSPEAKERS

Sound projector



PRODUCT OVERVIEW

ePRS10Ti is a 10W sound projector, carefully selected for the most widespread 70/100V applications: paging and background music. It offers durability and an optimal voice and music reproduction. It is made of reinforced ABS and IP55 certified, ideal for high performance outdoors.

KEY FEATURES

- Water-resistant ABS sound projector
- Power options @ 100V: 10W / 5W / 2,5W
- Power options @ 70V: 5W / 2,5W / 1,25W
- IP55 certified
- Connection by bare wire
- White colour (RAL 9016)

APPLICATIONS

- Commercial
- Corporate
- Leisure

TECHNICAL SPECIFICATIONS

ePRS10Ti

Drivers	5"
Power options @ 100V	10W / 5W / 2,5W
Power options @ 70V	5W / 2,5W / 1,25W
Frequency response (-3dB) ¹	158 Hz-19 kHz
Coverage angle ²	235°x235° (HxV)
Sensitivity 1W/1m ³	90 dB
IP rating	IP55 (IEC60529 Certified)
Finished color	White (RAL 9016)
Material	ABS + Aluminum grill
Operating and storage conditions	Min -20°C (-4°F); Max +60°C (+140°F)
Cord length	350mm / 13.8"
Dimensions (Ø x L)	Ø 138 x 205mm / Ø 5.4" x 8.1"
Weight	1,6 kg. / 3.5 lb. (including accessories)

¹ 10dB below the sound pressure level at specified sensitivity

² 6dB below the sound pressure level than that at the direction of maximum level. Max. angle between 1 kHz and 4 kHz.

³ Measured on-axis, far field and referenced to 1 meter by inverse square law. Average from 100 Hz to 10 kHz.

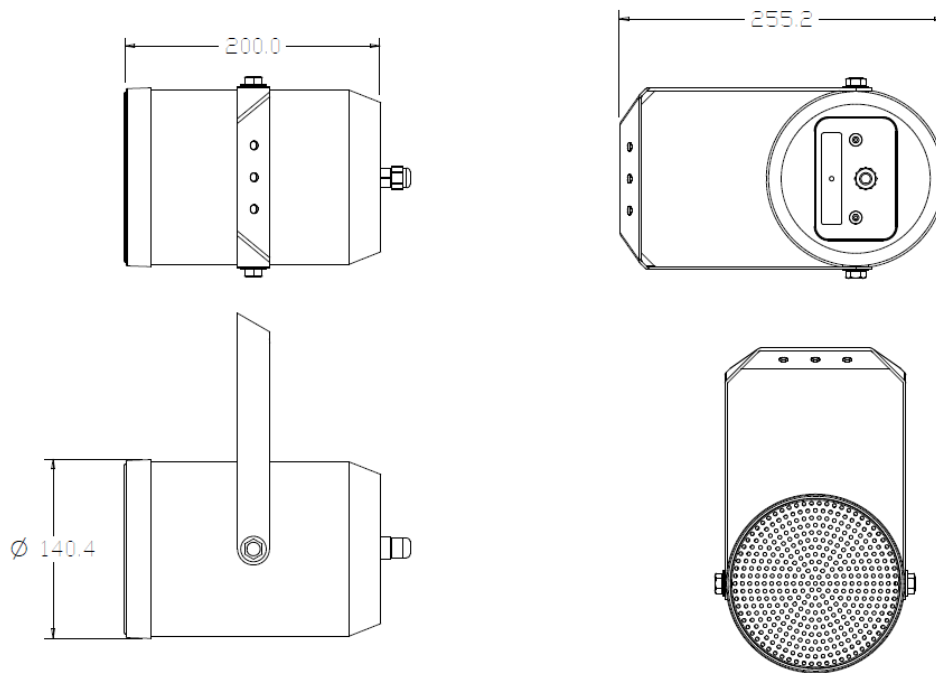
WIRING CODE

COLOR	@100V	@70V
RED	10W	5W
YELLOW	5W	2,5W
GREEN	2,5W	1,25W
BLUE	COM	COM

MECHANICAL DIAGRAM



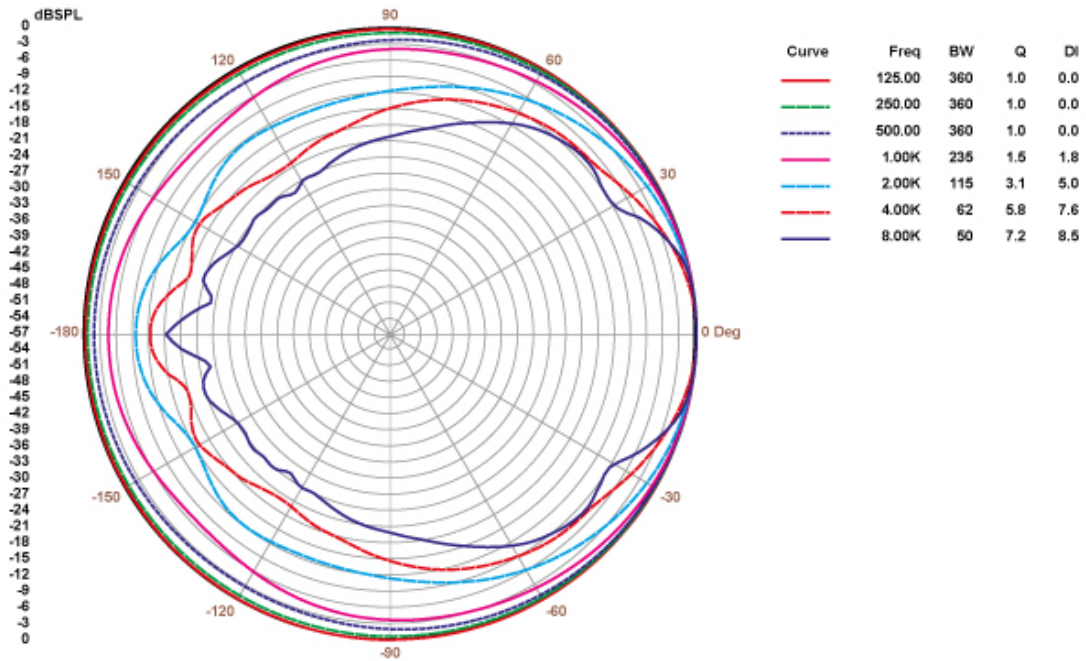
Ecler ePRS10Ti Mechanical Diagram



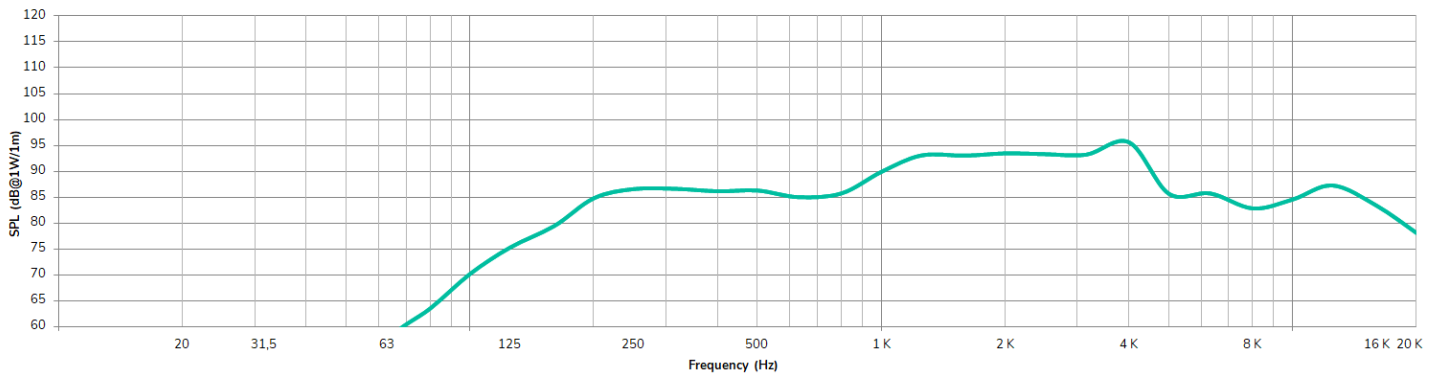
61-1068-0100

www.ecler.com

POLAR DIAGRAM



FREQUENCY RESPONSE DIAGRAM



All product characteristics are subject to variation due to production tolerances. **NEEC AUDIO BARCELONA S.L.** reserves the right to make changes or improvements in the design or manufacturing that may affect these product specifications

For technical queries contact your supplier, distributor or complete the contact form on our website, in [Support / Technical requests](#).

Motors, 166-168 08038 Barcelona - Spain - (+34) 932238403 | information@ecler.com | www.ecler.com