

IG108

SPECIALIZED LOUDSPEAKERS

In-ground Loudspeaker



USER MANUAL

INDEX

| | |
|--|---|
| 1. IMPORTANT REMARK..... | 3 |
| 2. IMPORTANT SAFETY INSTRUCTIONS | 4 |
| 3. IMPORTANT NOTE..... | 5 |
| 4. INTRODUCTION | 5 |
| 5. ASSEMBLY AND INSTALLATION..... | 6 |
| 6. CONNECTIONS..... | 7 |
| 7. TECHNICAL CHARACTERISTICS | 7 |

1. IMPORTANT REMARK




WARNING: SHOCK HAZARD - DO NOT OPEN
AVIS: RISQUE DE CHOC ÉLECTRIQUE - NE PAS OUVRIR



The lightning flash with arrowhead symbol, within an equilateral triangle, is intended to alert the user to the presence of uninsulated “dangerous voltage” within the product’s enclosure that may be of sufficient magnitude to constitute a risk of electric shock to persons.



The exclamation point within an equilateral triangle is intended to alert the user to the presence of important operating and maintenance (servicing) instructions in the literature accompanying the appliance.

WARNING (If applicable): The terminals marked with symbol of “” may be of sufficient magnitude to constitute a risk of electric shock. The external wiring connected to the terminals requires installation by an instructed person or the use of ready-made leads or cords.

WARNING: To prevent fire or shock hazard, do not expose this equipment to rain or moisture.

WARNING: An apparatus with Class I construction shall be connected to a mains socket-outlet with a protective earthing connection.

2. IMPORTANT SAFETY INSTRUCTIONS

1. Read these instructions.
2. Keep these instructions.
3. Heed all warnings.
4. Follow all instructions.
5. Do not use this apparatus near water.
6. Clean only with dry cloth.
7. Do not block any ventilation openings. Install in accordance with the manufacturer's instructions.
8. Do not install near any heat sources such as radiators, heat registers, stoves, or other apparatus (including amplifiers) that produce heat.
9. Do not defeat the safety purpose of the polarized or grounding type plug. A polarized plug has two blades with one wider than the other. A grounding type plug has two blades and a third grounding prong. The wide blade or the third prong are provided for your safety. If the provided plug does not fit into your outlet, consult an electrician for replacement of the obsolete outlet.
10. Protect the power cord from being walked on or pinched particularly at the plugs, convenience receptacles, and at the point where they exit from the apparatus.
11. Only use attachments/accessories specified by the manufacturer.
12. Unplug the apparatus during lightening sorts or when unused for long periods of time.
13. Refer all servicing to qualified personnel. Servicing is required when the apparatus has been damaged in any way, such as power supply cord or plug is damaged, liquid has been spilled or objects have fallen into the apparatus, the apparatus has been exposed to rain or moisture, does not operate normally, or has been dropped.
14. Disconnecting from mains: When switching off the POWER switch, all the functions and light indicators of the unit will be stopped, but fully disconnecting the device from mains is done by unplugging the power cable from the mains input socket. For this reason, it always shall remain easily accessible.
15. Equipment is connected to a socket-outlet with earthing connection by means of a power cord.
16. The marking information is located at the bottom of the unit.
17. The apparatus shall not be exposed to dripping or splashing and that no objects filled with liquids, such as vases, shall be placed on apparatus.



WARNING: This product must not be discarded, under any circumstance, as unsorted urban waste. Take to the nearest electrical and electronic waste treatment centre.

NEEC AUDIO BARCELONA, S.L. accepts no liability for any damage that may be caused to people, animal or objects due to failure to comply with the warnings above.

3. IMPORTANT NOTE

Thank you for choosing our Ecler **IG108 in-ground loudspeaker!**

It is **VERY IMPORTANT** to carefully read this manual and to fully understand its contents before any connection in order to maximize your use and get the best performance from this equipment.

To ensure optimal operation of this device, we strongly recommend that its maintenance be carried out by our authorised Technical Services.

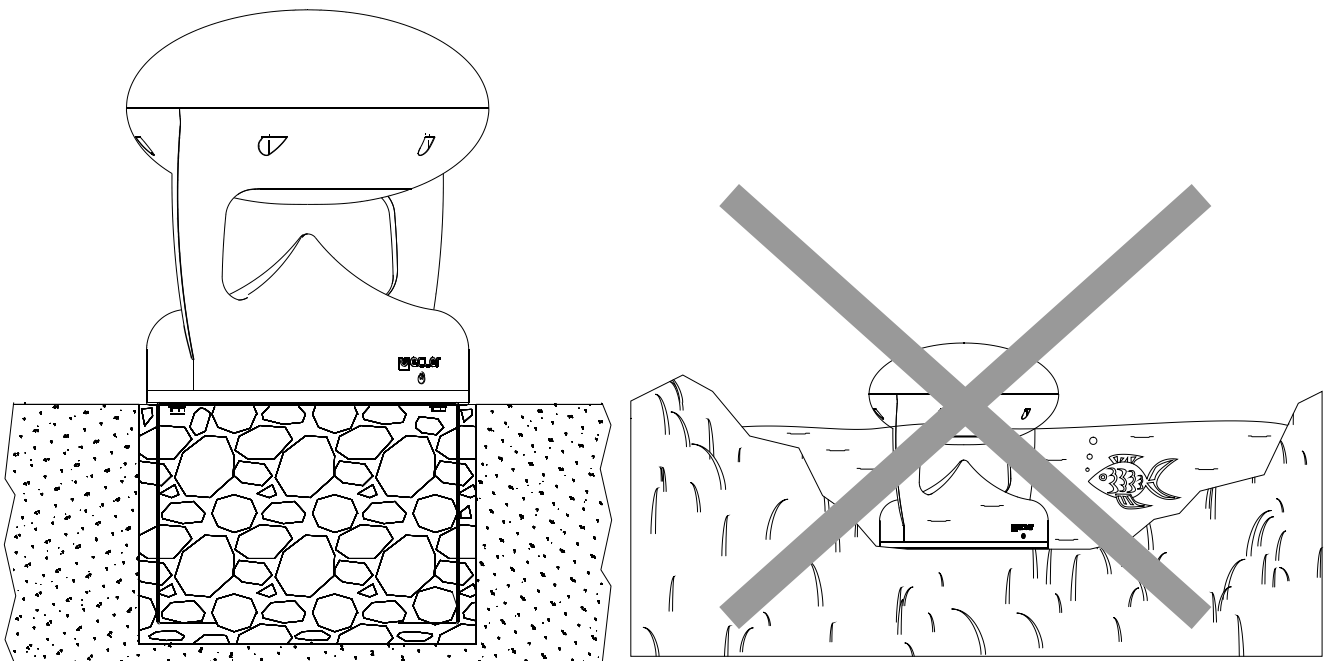
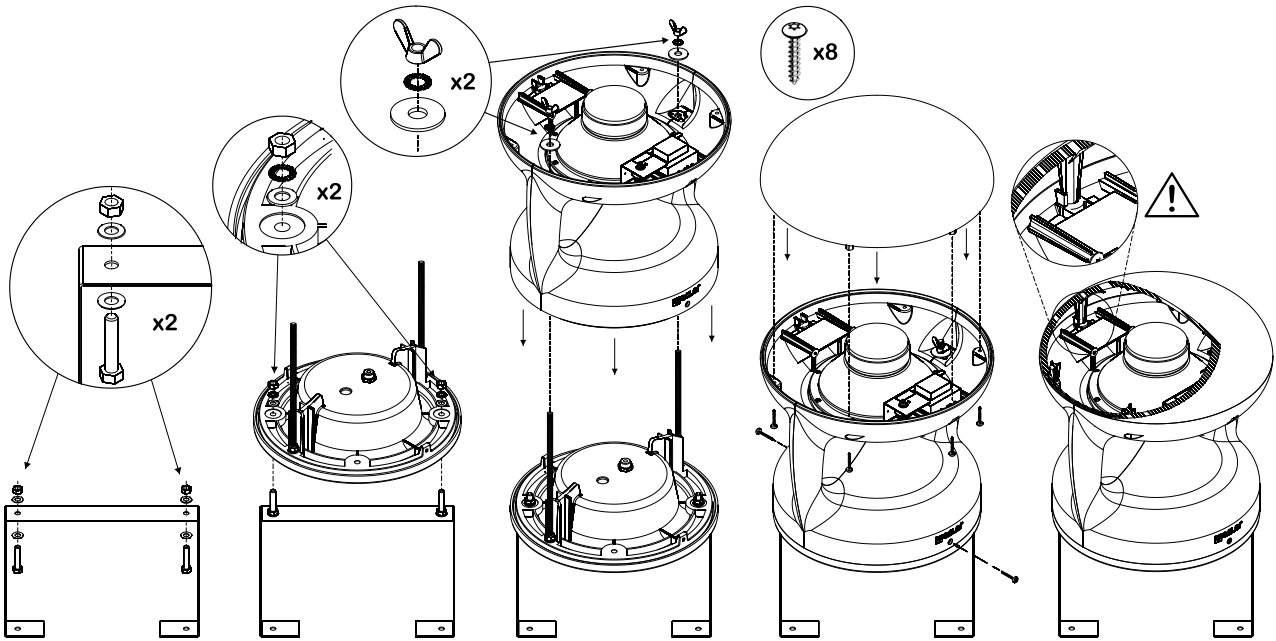
All ECLER products are covered by warranty, please refer to www.ecler.com or the warranty card included with this product for the period of validity and conditions.

4. INTRODUCTION

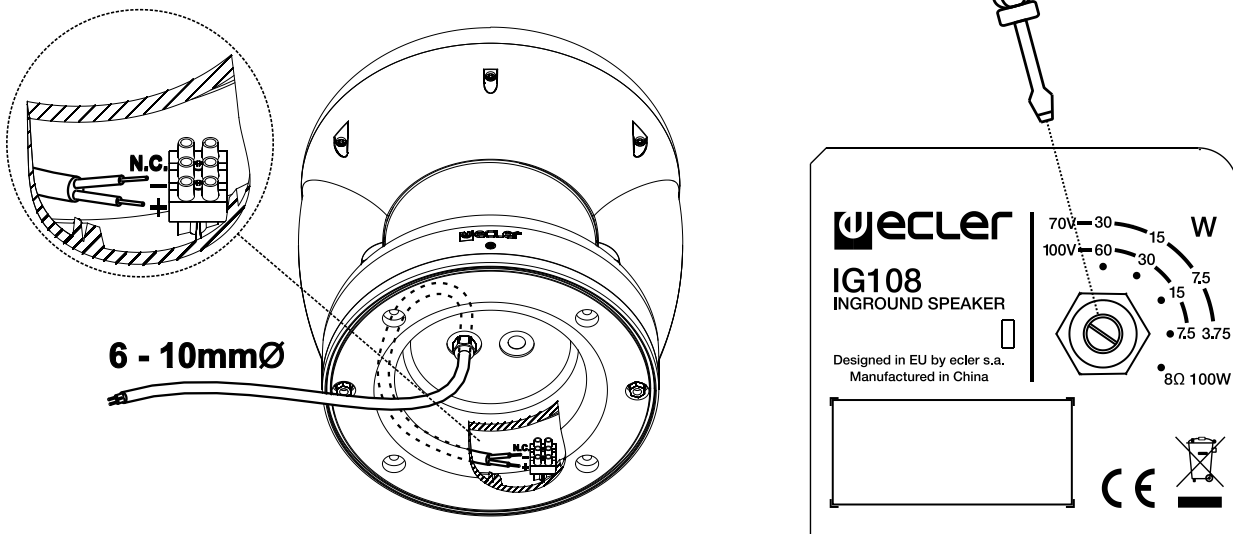
The IG108 is an in-ground weatherproof loudspeaker (IP65) with an omni-directional horizontal dispersion pattern (360°). It is ideal for music and message applications in outdoor areas, where a reliable yet high quality sound system is required.

- IP65 outdoor rated loudspeaker
- 8 ohm and 70/100 V (7,5, 15, 30 o 60 W tap switch)
- 8" Kevlar woofer and 1" ACCW silk dome tweeter
- Frequency response (-10 dB): 50 Hz-23 kHz
- Omni directional horizontal coverage pattern (a circular area with an average radius of 4 to 6 meters can be covered by one unit, in a standard application)
- Available in green (RAL 6005)

5. ASSEMBLY AND INSTALLATION



6. CONNECTIONS



7. TECHNICAL CHARACTERISTICS

IG108

| System | |
|--|---|
| Effective frequency range ¹ | 50 Hz-23 kHz |
| Coverage angle ² | 360°x229° (HxV) |
| Power handling | 100 W RMS / 400 W Peak |
| Sensitivity ³ | 92 dB (1W/1m) |
| Maximum SPL ⁴ | 112 dB continuous / 118 dB peak |
| Power options | 100V: 60W / 30W / 15W / 7,5W / 8Ω 70V: 30W / 15W / 7,5W / 3,75W / 8Ω |
| Recommended amplifier power | 200 W RMS |
| Transducers | |
| Ways | 2 |
| Low frequency driver | 8" Kevlar woofer |
| High frequency driver | 1" ACCW silk dome tweeter |
| Nominal impedance | 8Ω |
| Physical | |
| Power type selector | Tap switch |
| Installation options | In-ground |
| Environmental | IP65 rated |
| Operating temperature | Min: -40°C; -40°F Max: 70°C; 158°F |
| Storage temperature | Min: -40°C; -40°F Max: 70°C; 158°F |
| Included accessories | Security gound bracket |
| Finished colour | Green (RAL 6005) |
| Dimensions (ØxD) | 360 x 392.5 mm / 14.17"x15.95" |
| Weight | 8.5 kg / 18.74 lb |

¹10dB below the sound pressure level at specified sensitivity

²6dB below the sound pressure level than that at the direction of maximum level. Max. angle between 1 kHz to 4 kHz.

³Measured on-axis, far field and referenced to 1 meter by inverse square law. Average from 100 Hz to 10 kHz.

⁴Calculated from sensitivity and power handling specifications, exclusive of power compression

All product characteristics are subject to variation due to production tolerances. **NEEC AUDIO BARCELONA S.L.** reserves the right to make changes or improvements in the design or manufacturing that may affect these product specifications.

For technical queries contact your supplier, distributor or complete the contact form on our website, in [Support / Technical requests](#).

Motors, 166-168 08038 Barcelona - Spain - (+34) 932238403 | information@ecler.com | www.ecler.com