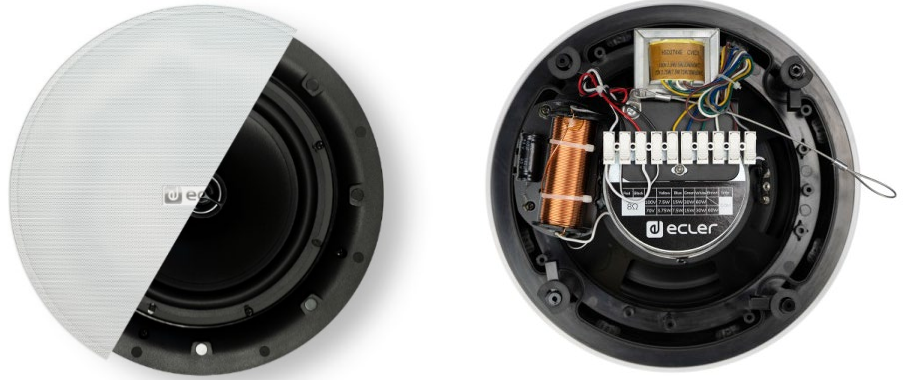


## VICSB8

### CEILING LOUDSPEAKERS

In-ceiling Subwoofer w/ Back Can & Tile Bridge



### PRODUCT OVERVIEW

VICSB8 is an in-ceiling subwoofer reinforcement loudspeaker with a great sound performance. It features an 8" woofer, 80WRMS @ 8ohm nominal power and 70/100V line transformer with 60/30/15/7.5/3.75W power connections and it integrates a crossover filter. The VIC series features a sleek, minimalist design with a magnetic grille that easily attaches to the speaker. This not only makes installation easy, but also allows the grille to be painted to match the décor of the space. VIC series provide a careful selection of components in a user-friendly design that seeks speed and versatility of installation on any surface, while maintaining excellent sound quality.

### KEY FEATURES

- 8" subwoofer
- 80WRMS @ 8Ω
- Power selector: 60 / 30 / 15 / 7.5 / 3.75W @ 70/100V & 8Ω position
- Sensitivity (1W/1m): 76 dB SPL
- Paintable magnetic metal alloy grille
- Diameter: 282mm
- Depth: 135mm
- Colour: White, RAL9010

### APPLICATIONS

- Corporate and residential buildings
- Commercial premises
- Leisure centres
- Sound reinforcement in clubs, bars, etc.
- Health and sport centres
- Auditorium, museums
- 5.1 and 7.1 surround systems

### ACCESSORIES AND COMPATIBLE DEVICES

- VIC6/ VIC6X & VIC8/ VIC8X
- AVICSG
- AVICCAN8L

## TECHNICAL SPECIFICATIONS

## VICSB8

System	
Effective frequency range <sup>1</sup>	72Hz-410 Hz
Power handling	80 W RMS / 320 W Peak
Sensitivity <sup>2</sup>	76 dB (1W/1m)
Maximum SPL <sup>3</sup>	95 dB continuous / 101 dB peak
Power options	100V: 60W / 30W / 15W / 7.5W / 8Ω 70V: 60W / 30W / 15W / 7.5W / 3.75W / 8Ω
Recommended amplifier power	160 W RMS
Transducers	
Ways	1-way subwoofer
Driver	LF 8" woofer
Nominal impedance	8Ω
Physical	
Installation options	Ceiling
Environmental	IPX4 rated
Grille material	Magnetic, paintable metal alloy
External diameter	282 mm / 11.10"
Internal diameter	245 mm / 9.64"
Recommended cut out diameter	246 mm/9.69"
Required depth	135 mm / 5.31"
Finished color	White (RAL 9010)
Ceiling thickness	10mm / 0.39" min 50mm / 1.97" max
Dimensions (ØxD)	282x135mm / 11.1"x5.3"
Weight	3.2 kg / 7.05 lb

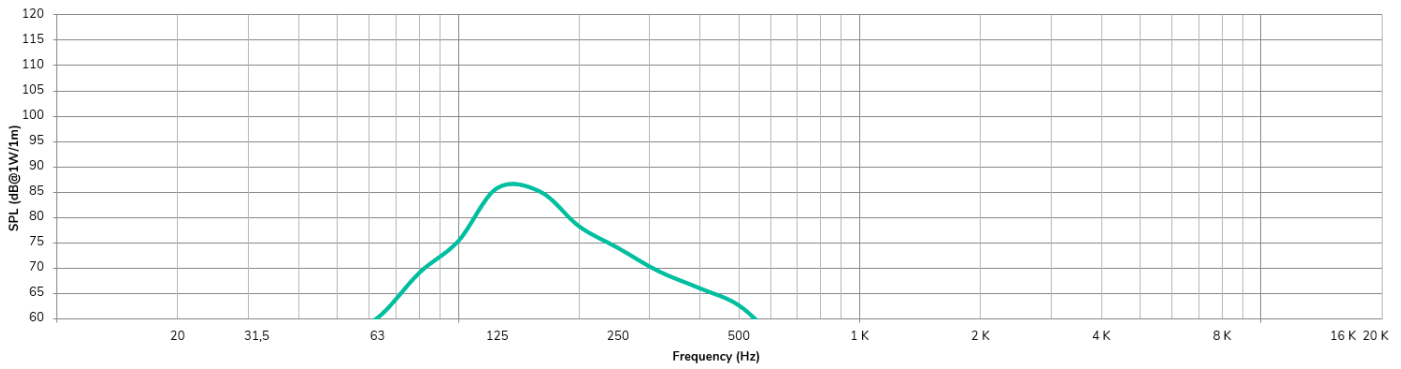
<sup>1</sup>10dB below the sound pressure level at specified sensitivity

<sup>2</sup>Measured on-axis, far field and referenced to 1 meter by inverse square law. Average from 100 Hz to 10 kHz.

<sup>3</sup>Calculated from sensitivity and power handling specifications, exclusive of power compression

### FREQUENCY RESPONSE

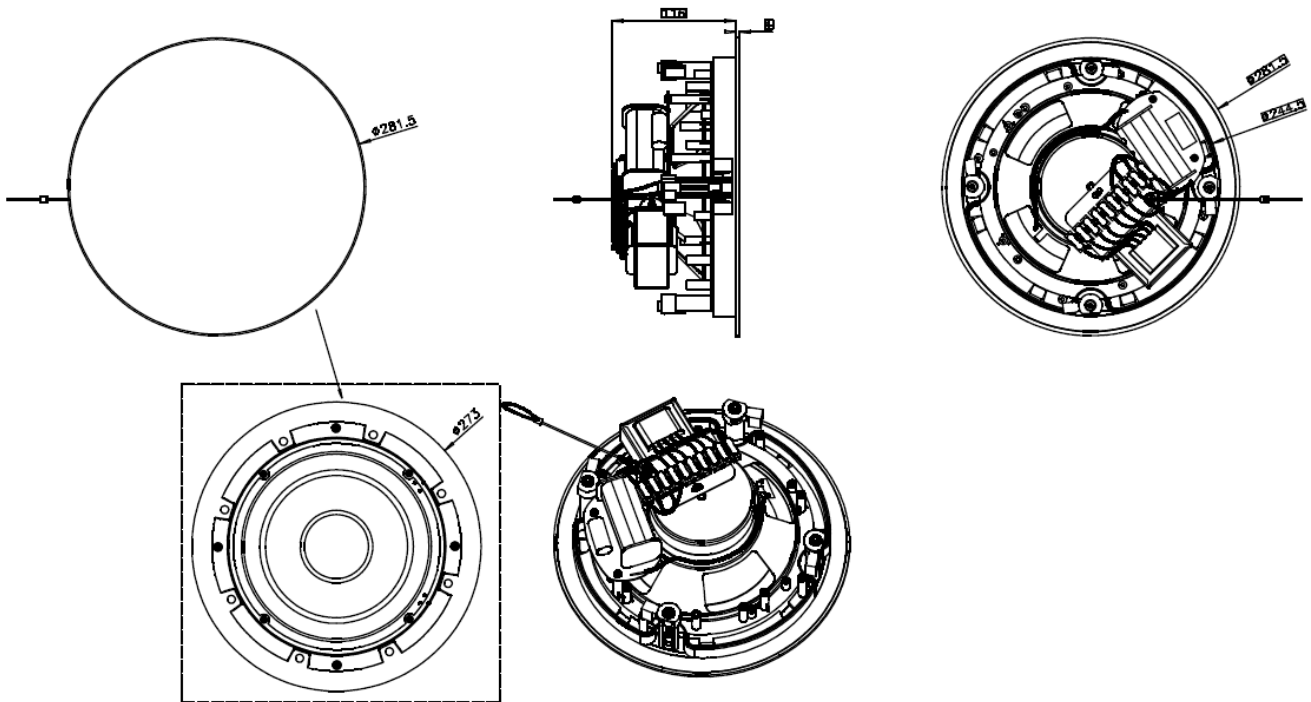
VICSB8



### MECHANICAL DIAGRAMS



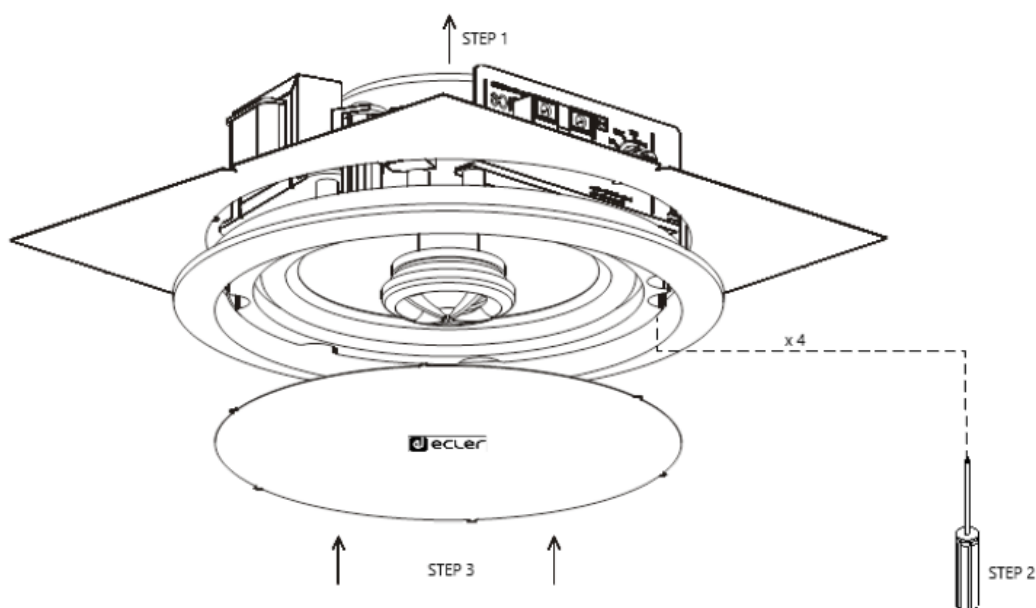
Ecler VICSB8 Mechanical Diagram



61-1101-0100

[www.ecler.com](http://www.ecler.com)

## MOUNTING DIAGRAM



All product characteristics are subject to variation due to production tolerances. **NEEC AUDIO BARCELONA S.L.** reserves the right to make changes or improvements in the design or manufacturing that may affect these product specifications.

For technical requests address to your supplier, distributor or fill the contact form in our website, at Support / Technical Request.

Motors, 166-168 08038 Barcelona - Spain - (+34) 932238403 | [information@ecler.com](mailto:information@ecler.com) | [www.ecler.com](http://www.ecler.com)