

IW103

CEILING LOUDSPEAKERS

In-ceiling / In-wall Loudspeakers



PRODUCT OVERVIEW

IW103 is a 3" in-ceiling / in-wall installation loudspeaker featuring a rectangular and discreet design, and including a high impedance transformer unit with 15 and 30 W power selections @ 100V line level.

KEY FEATURES

- Rectangular shaped loudspeaker for in-ceiling/in-wall installation
- 3" woofer
- 15W/30W @ 100V selector
- Spring loaded input terminals
- White finish (RAL 9003)
- EASE Win file available



APPLICATIONS

- Corporate and residential buildings
- Commercial premises
- Leisure centres
- Sound reinforcement in clubs, bars, etc.
- Health and sports centres
- Meeting and conference rooms
- 5.1 and 7.1 surround systems
- Auditoriums, museums

TECHNICAL SPECIFICATIONS

IW103

System	
Effective frequency range ¹	83 Hz-20 kHz
Coverage angle ²	158°x158° (HxV)
Power handling	30 W RMS / 120 W Peak
Sensitivity ³	84 dB (1W/1m)
Maximum SPL ⁴	99 dB continuous / 105 dB peak
Power options	100V: 30W / 15W
Recommended amplifier power	60 W RMS
Transducers	
Ways	1
Driver	3" woofer
Nominal impedance	667Ω / 333Ω
Physical	
Connection type	Spring terminals
Power type selector	Changing the position of the terminals
Installation options	Wall or false ceiling
Enclosure material	ABS
Grille material	Aluminium, paintable
Finished color	White (RAL 9003)
Recommended cut out diameter	147 x 95 mm / 5.79"x3.74"
Required depth	80 mm / 3,14"
Ceiling thickness	2mm / 0.078" min 40mm / 1.57" max
Dimensions (WxHxD)	110 x 165 x 80 mm / 4.33 x 6.5 x 3.15 in.
Weight	0.9 kg / 1.98 lb

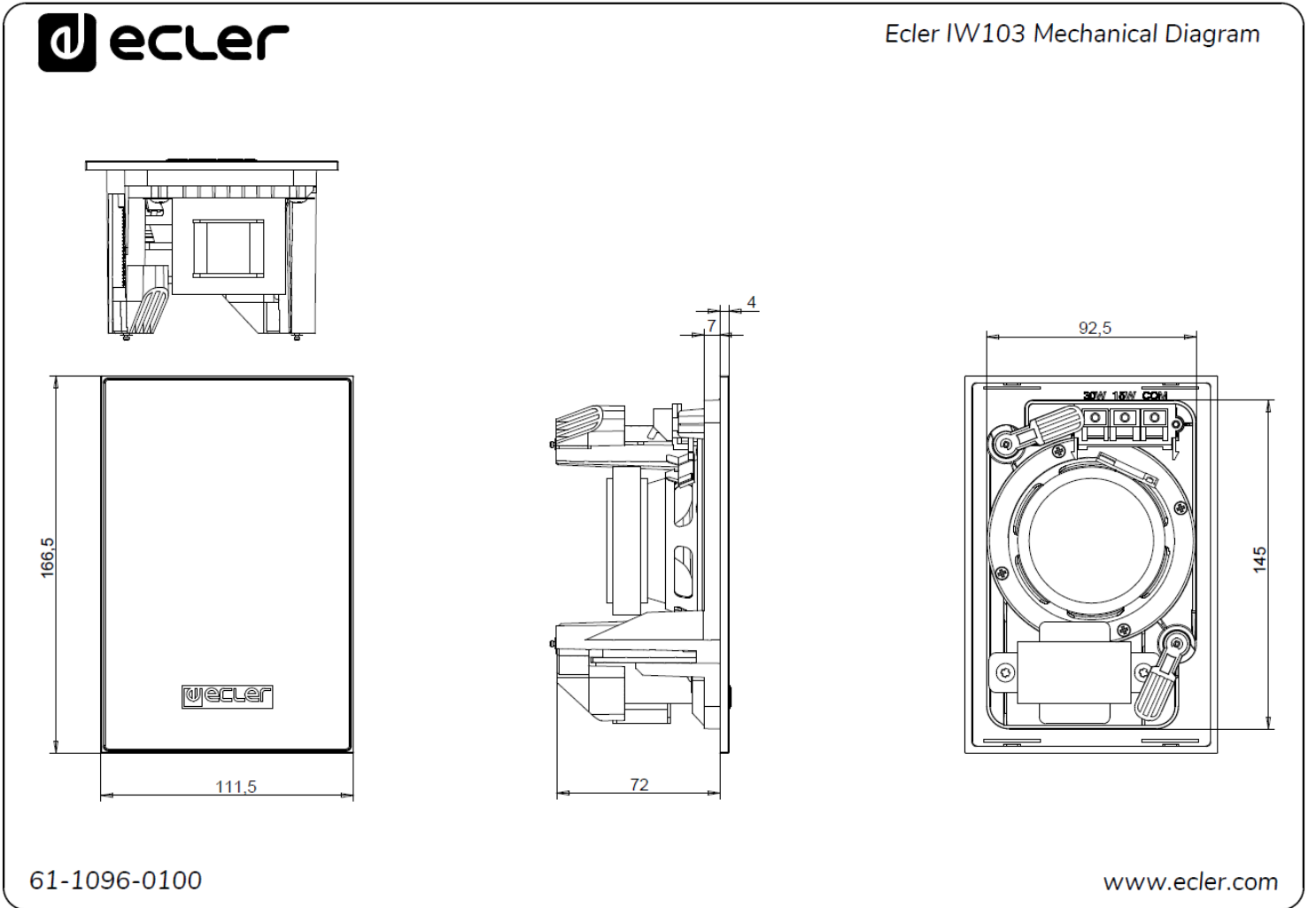
¹10dB below the sound pressure level at specified sensitivity

²6dB below the sound pressure level than that at the direction of maximum level. Max. angle between 1 kHz to 4 kHz.

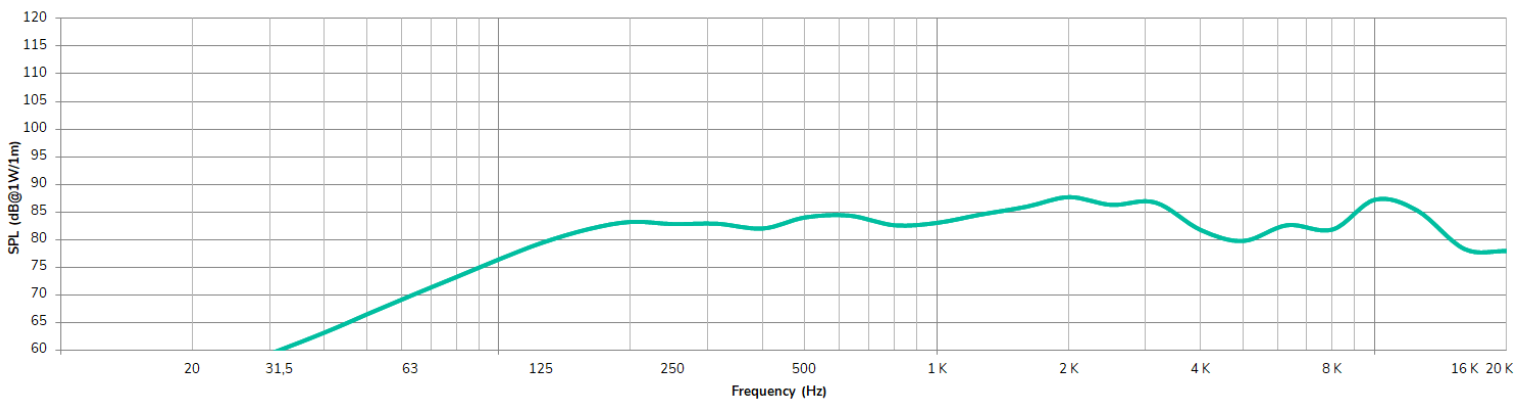
³Measured on-axis, far field and referenced to 1 meter by inverse square law. Average from 100 Hz to 10 kHz.

⁴Calculated from sensitivity and power handling specifications, exclusive of power compression

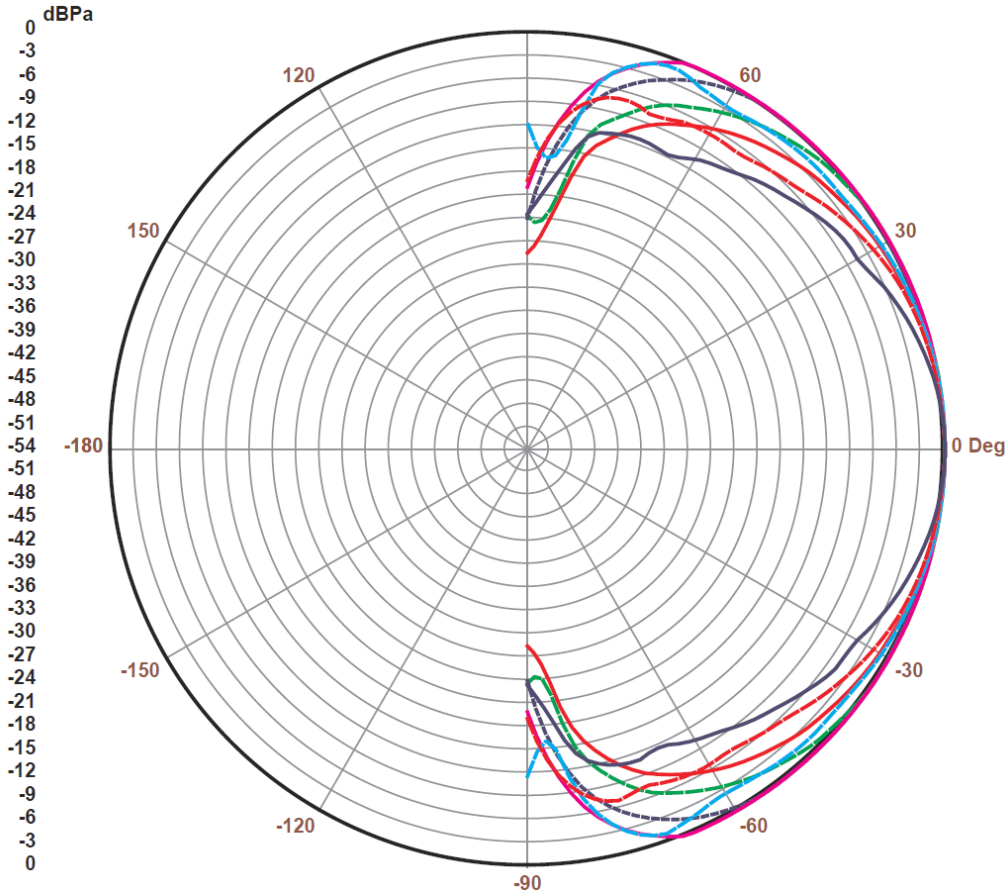
MECHANICAL DIAGRAM



FREQUENCY RESPONSE



POLAR DIAGRAMS



Curve	Freq	BW	Q	DI
—	125.00	118	3.0	4.8
—	250.00	133	2.7	4.3
—	500.00	151	2.4	3.8
—	1.00K	158	2.3	3.6
—	2.00K	156	2.3	3.6
—	4.00K	93	3.9	5.9
—	8.00K	78	4.6	6.6

All product characteristics are subject to variation due to production tolerances. **NEEC AUDIO BARCELONA S.L.** reserves the right to make changes or improvements in the design or manufacturing that may affect these product specifications.

For technical requests address to your supplier, distributor or fill the contact form in our website, at Support / Technical Request.

Motors, 166-168 08038 Barcelona - Spain - (+34) 932238403 | information@ecler.com | www.ecler.com