

DROP6i

HIGH-PERFORMANCE LOUDSPEAKERS
Pendant Loudspeaker




USER MANUAL



| |
|----------------------------|
| PRECAUTIONS |
| WARRANTY & ENVIRONMENT |
| PACKAGE CONTENTS |
| DESCRIPTION & FEATURES |
| CONNECTORS |
| RECOMMENDED AMPLIFIER |
| POSITIONING & INSTALLATION |
| TECHNICAL DATA |

TABLE OF CONTENTS

| | |
|--|-----------|
| 1. PRECAUTIONS | 3 |
| 1.1 <i>Important Notice</i> | 3 |
| 1.2 <i>Key Safety Directions</i> | 4 |
| 1.3 <i>Cleaning Directions</i> | 4 |
| 2. WARRANTY & ENVIRONMENT | 5 |
| 3. PACKAGE CONTENTS | 5 |
| 4. DESCRIPTION & FEATURES | 6 |
| 4.1 <i>Main Features</i> | 6 |
| 5. CONNECTIONS | 7 |
| 6. RECOMMENDED AMPLIFIER | 8 |
| 7. POSITIONING & INSTALLATION | 8 |
| 7.1 <i>Positioning</i> | 8 |
| 7.2 <i>Installation</i> | 8 |
| 8. TECHNICAL DATA | 12 |
| 8.1 <i>Technical Specifications</i> | 12 |
| 8.2 <i>Mechanical Diagram</i> | 13 |

| |
|---|
|  |
| PRECAUTIONS |
| WARRANTY & ENVIRONMENT |
| PACKAGE CONTENTS |
| DESCRIPTION & FEATURES |
| CONNECTIONS |
| RECOMMENDED AMPLIFIER |
| POSITIONING & INSTALLATION |
| TECHNICAL DATA |

1. PRECAUTIONS

1.1 Important Notice



WARNING: SHOCK HAZARD - DO NOT OPEN

AVIS: RISQUE DE CHOC ÉLECTRIQUE - NE PAS OUVRIR



The flashing light with an arrowhead symbol inside an equilateral triangle on it is intended to alert the user of the presence of non-insulated “dangerous voltage” within the enclosure, which might be of sufficient magnitude to pose a risk of electric shock to users.



The exclamation mark within an equilateral triangle is intended to alert the user of the requirement for important operating and maintenance (servicing), for which instructions may be found in the literature accompanying the appliance.

WARNING (If applicable): Terminals marked with symbol “⚡” may be of sufficient magnitude to pose a risk of electric shock. The external wiring connected to terminals requires installation by a technician, or the use of ready-made leads or cords.

WARNING: To prevent fire or shock hazard, do not expose this equipment to rain or humidity.

WARNING: A device with Class I manufacturing ought to be connected to a mains socket outlet with a protective earthing connection.



WARNING: Ecler products have a long lifetime of more than 10 years. This product must never be discarded as unsorted urban waste, but must be taken to the nearest electrical and electronic waste treatment centre.

| | |
|--|----------------------------|
| | PRECAUTIONS |
| | WARRANTY & ENVIRONMENT |
| | PACKAGE CONTENTS |
| | DESCRIPTION & FEATURES |
| | CONNECTORS |
| | RECOMMENDED AMPLIFIER |
| | POSITIONING & INSTALLATION |
| | TECHNICAL DATA |

1.2 Key Safety Directions


1. Read the following directions.
2. Keep the following directions.
3. Observe all warnings.
4. Follow all instructions.
5. Do not use this device in proximity to water.
6. Clean only with a dry cloth.
7. Do not block any ventilation openings. Install in accordance with the manufacturer's instructions.
8. Do not install near any heat sources such as radiators, heat registers, stoves, or other devices (including amplifiers) that may release heat.
9. Do not defeat the safety purpose of the polarized or grounding type plug. A polarized plug has two blades, with one being wider than the other. A grounding type plug has two blades and a third grounding prong. The wide blade or the third prong are provided for your safety. If the provided plug does not fit into your outlet, contact a qualified electrician for a replacement of the obsolete outlet.
10. Protect the power cord from being walked on or pinched, particularly at the plugs, convenience receptacles, and at the point of exit from the device.
11. Only use attachments/accessories specified by the manufacturer.
12. Unplug the device during lightning storms or when unused for long periods.
13. Refer all servicing to qualified personnel. Servicing is required when the device has been damaged in any way, such as power supply cord or plug damage, liquid spillage or objects onto the device, the device has been exposed to rain or humidity, does not operate normally, or has been dropped.
14. Disconnecting from mains: When switching off the POWER switch, all the functions and light indicators of the unit will be stopped, but fully disconnecting the device from mains is done by unplugging the power cable from the mains input socket, therefore, it should always remain easily accessible
15. Equipment is connected to a socket-outlet with an earthing connection by means of a power cord.
16. The marking information is located at the top, rear or bottom of the unit.
17. The device shall not be exposed to dripping or splashing liquids, and no liquid-filled objects, such as a filled up glass, shall be placed on top of the device.

1.3 Cleaning Directions



Clean the unit with a soft, dry clean cloth or slightly wet with water and neutral liquid soap only, then dry it with a clean cloth. Be careful that water never gets into the unit through any hole. Never use alcohol, benzine, solvents or abrasive substances to clean this unit.

NEEC AUDIO BARCELONA, S.L. accepts no liability for any damage that may be caused to people, animal, or objects due to failure to comply with the warnings above.

| | |
|---|----------------------------|
|  | PRECAUTIONS |
| | WARRANTY & ENVIRONMENT |
| | PACKAGE CONTENTS |
| | DESCRIPTION & FEATURES |
| | CONNECTIONS |
| | RECOMMENDED AMPLIFIER |
| | POSITIONING & INSTALLATION |
| | TECHNICAL DATA |

2. WARRANTY & ENVIRONMENT

**Thank you for choosing our Ecler DROP6i !
We greatly value your trust.**

It is **VERY IMPORTANT** to carefully read this manual and to fully understand its **contents before any connecting takes place** in order to make the best use of this equipment, as well as to get the best performance from it.

To ensure optimal operation of this device, **we strongly recommend that its maintenance be carried out by our authorised Technical Services.**

All ECLER products are covered by warranty, please refer to www.ecler.com or the warranty card included with this product for the period of validity and conditions.



Ecler is truly committed with the environment and planet sustainability, energy saving and CO₂ emission reduction. Recycling materials and using non-contaminant components are also top priorities in our green crusade.

Ecler has deeply evaluated and analyzed the environmental impacts of all the processes involved in the production of this product, including packaging, and has alleviated, reduced and/or compensated for them.

3. PACKAGE CONTENTS

- 1x DROP6i unit.
- 2x Steel wire (5m.)
- 2x Euroblock connectors.
- 1x First Steps Guide.
- 1x Warranty card.



PRECAUTIONS

WARRANTY & ENVIRONMENT

PACKAGE CONTENTS

DESCRIPTION & FEATURES

CONNECTIONS

RECOMMENDED AMPLIFIER

POSITIONING & INSTALLATION

TECHNICAL DATA

4. DESCRIPTION & FEATURES

DROP6i is a 2-way full-range 6.5" pendant loudspeaker delivering 75W @ 8Ω, designed with a sleek, discreet aesthetic. It features a 70/100V line transformer with selectable 60/30/15/7.5W power taps and is available in both high- and low-impedance configurations.

4.1 Main Features

- Two-way full-range pendant loudspeaker.
- 75 W RMS @ 8 Ω.
- 6.5" woofer / 1" Silk Dome tweeter.
- Compatible for use in high impedance (70V or 100V line) and low impedance (8Ω).
- Power selector: 4 options of 60W/30W/15W/7.5W in high impedance or one 75W option in low impedance.
- IP53 rated.
- ABS reinforced with fibreglass.
- Paintable grill and speaker (white).
- INPUT/LINK double connector, Euroblock type.
- Cable length: 5m (includes 2 height adjustable steel cords).
- Available in white (RAL9003) and black (RAL9005).
- [EASE files available.](#)



PRECAUTIONS

WARRANTY & ENVIRONMENT

PACKAGE CONTENTS

DESCRIPTION & FEATURES

CONNECTIONS

RECOMMENDED AMPLIFIER

POSITIONING & INSTALLATION

TECHNICAL DATA

5. CONNECTIONS

The DROP6i loudspeaker is shipped from factory with the switch in the 60W (100V/70V) position. If it is connected to a low-impedance (8Ω) amplifier, the speaker will not be damaged but will operate significantly below its full potential.

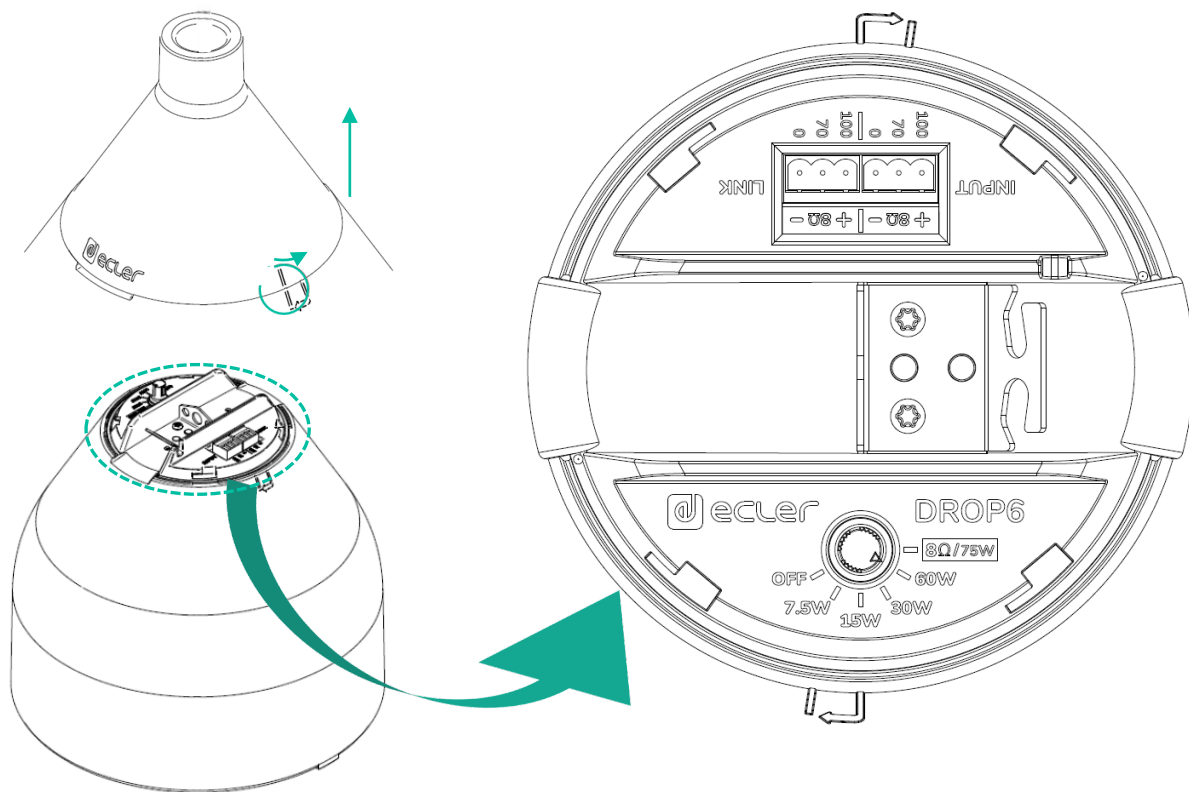
! If the speaker is accidentally connected to a 100V/70V line in the 8Ω position, it will be severely damaged.

💡 If the loudspeaker is used in installations at 70V, the corresponding powers for the 100V position will be reduced to half.

! Always respect the polarity.

The DROP6i connection is of the Euroblock type, to be connected directly to the wiring line coming from the power amplifier.

The power selector located on the top of the loudspeaker allows you to select the mode and power of the unit by means of a switch.



Connect the cables accordingly.
Adjust the power selector to the required position.



PRECAUTIONS

WARRANTY
&
ENVIRONMENT

PACKAGE
CONTENTS

DESCRIPTION
&
FEATURES

CONNECTORS

RECOMMENDED
AMPLIFIER

POSITIONING
&
INSTALLATION

TECHNICAL
DATA

6. RECOMMENDED AMPLIFIER

The output power of the recommended amplifier for DROP6i is 150W RMS.

7. POSITIONING & INSTALLATION

7.1 Positioning

Consider following general rules:

Suspend the loudspeaker from a solid, structurally ceiling using an appropriate mounting system, as detailed in the following section of this manual.

No obstacles should stand between the enclosures and the audience. The high frequencies are very directive compared to the low frequencies, so that any obstacle will impair their response. In case large audiences must be addressed, a better long distance sound propagation will be achieved if the enclosures are flown high enough.



Download all EASE files by clicking on the image:



7.2 Installation

Each DROP6i unit contains 2 steel cords for suspension of the 5-metre unit, plus 2 Euroblock connections.



Ensure that both the ceiling structure and the mounting system are capable of safely supporting the weight of the loudspeaker.



To ensure proper speaker installation, see detailed installation diagram on next pages.



PRECAUTIONS

WARRANTY
&
ENVIRONMENT

PACKAGE
CONTENTS

DESCRIPTION
&
FEATURES

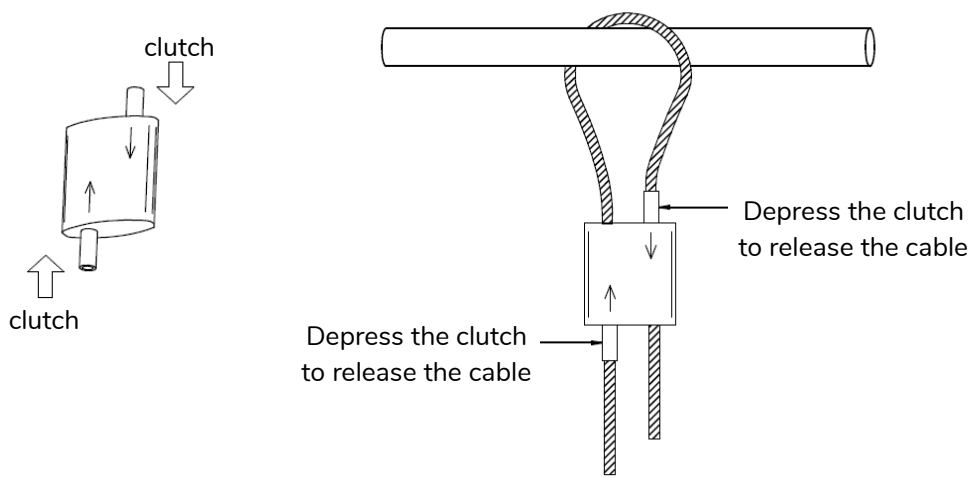
CONNECTORS

RECOMMENDED
AMPLIFIER

POSITIONING
&
INSTALLATION

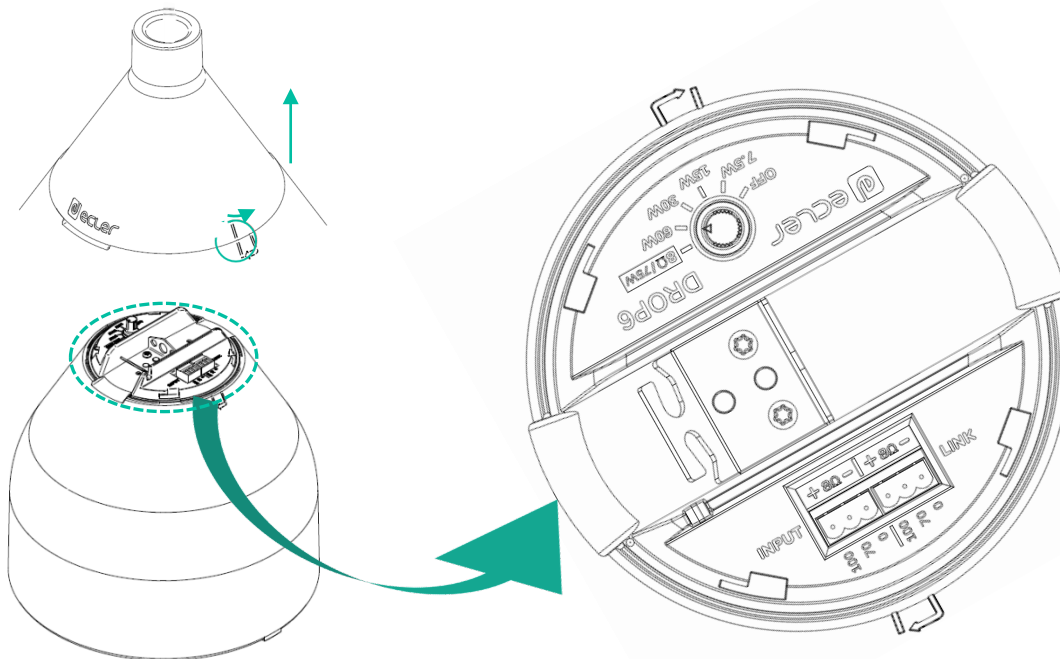
TECHNICAL
DATA

1



Insert the steel suspension cords and fasten them to the bracket and to the desired height.

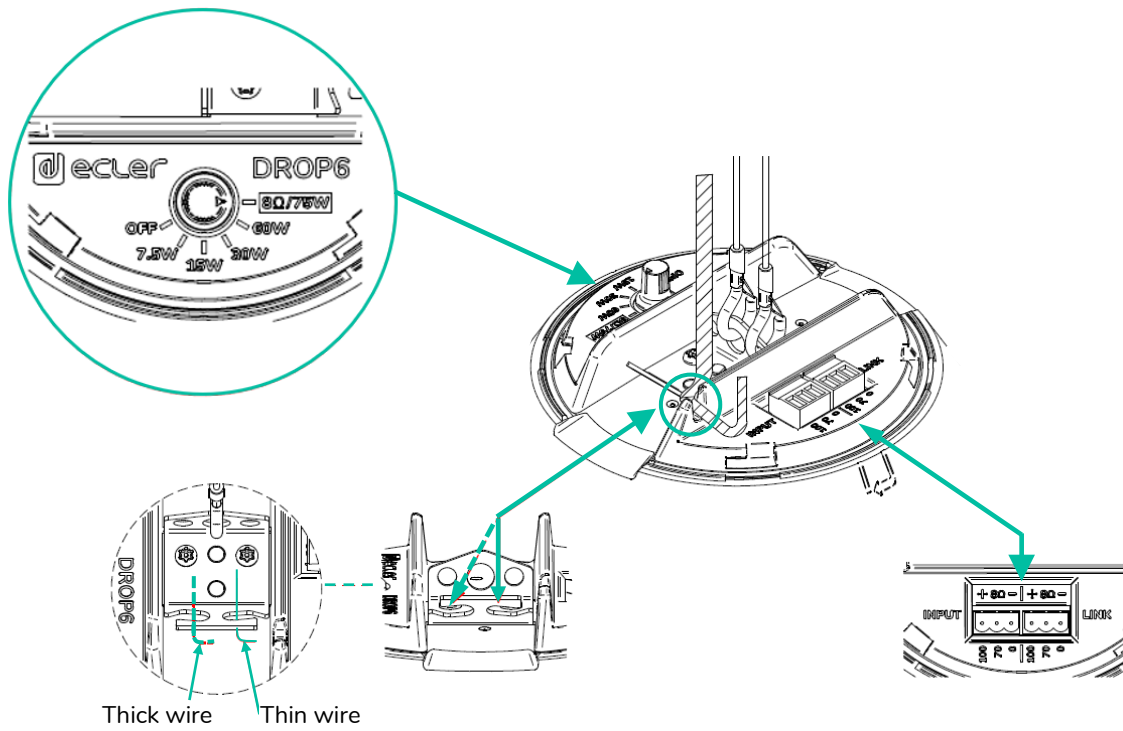
2



Remove the top of the speaker enclosure to reveal the connection panel.

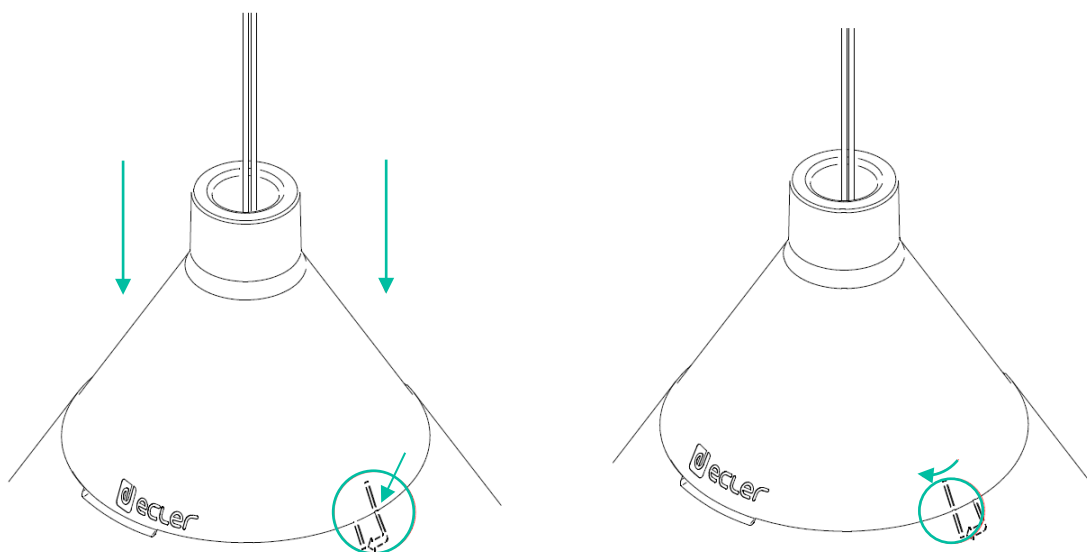
| | |
|--|----------------------------|
| | PRECAUTIONS |
| | WARRANTY & ENVIRONMENT |
| | PACKAGE CONTENTS |
| | DESCRIPTION & FEATURES |
| | CONNECTORS |
| | RECOMMENDED AMPLIFIER |
| | POSITIONING & INSTALLATION |
| | TECHNICAL DATA |

5



Hook the second suspension steel cord in the same way and pass the line cable through the hole to reach the Euroblock connectors. [Select the appropriate power option as detailed in the Connections chapter.](#)

6



Position the conical back cover and rotate it until the locking marks match up

| | |
|--|----------------------------|
| | PRECAUTIONS |
| | WARRANTY & ENVIRONMENT |
| | PACKAGE CONTENTS |
| | DESCRIPTION & FEATURES |
| | CONNECTORS |
| | RECOMMENDED AMPLIFIER |
| | POSITIONING & INSTALLATION |
| | TECHNICAL DATA |

8. TECHNICAL DATA

8.1 Technical Specifications

DROP6i


| SYSTEM | |
|------------------------------------|--|
| Effective Freq. Range ¹ | 70Hz -20KHz (-10dB) |
| Coverage angle ² | 135° Conical |
| Power handling | 75W RMS / 300W Peak |
| Sensitivity ³ | 90 dB (1W/1m) |
| Maximum SPL ⁴ | 109 dB continuous / 115 dB peak |
| Power options | 70V/100V: 7.5W - 15W - 30W - 60W / 75W@8Ω |
| Recommended amplifier power | 150W RMS |
| TRANSDUCERS | |
| Ways | 2-ways full range |
| Driver | 6.5" Woofer + 1" Tweeter |
| Low frequency driver | 6.5" Woofer |
| High frequency driver | 1" Silk Dome Tweeter |
| Nominal impedance | 8Ω |
| FILTERS | |
| Crossover filter | 1,65 KHz |
| PHYSICAL | |
| Connection type | Double INPUT/LINK connector, Euroblock type |
| Power type selector | Back panel tap rotary selector |
| Installation options | Pendant |
| Environmental | IP53 rated |
| Enclosure material | ABS reinforced with fibreglass |
| Grill material | Aluminium |
| Grill fixing system | Bayonet mount system |
| Mounting system | Steel wire hanging |
| Flying points | 2 x Steel wire hanging points |
| Operating temperature | Min: -20°C ; -4°F Max: 70°C ; 158°F |
| Operating humidity | <85% HR |
| Storage temperature | Min: -20°C ; -4°F Max: 70°C ; 158°F |
| Storage humidity | <90% HR |
| Included accessories | 2 x Steel Wire for hanging (5 m), 2 x 3C Euroblock connector |
| Finished colour | White (RAL9003) or Black (RAL9005) |
| Dimensions (Ø xH) | 270mm x 344mm / 10.63 in. x 13.54 in. |
| Weight | 4.2 Kg / 9.26 lb |
| Pieces per box | 1 |
| Shipping dimensions (WxHxD) | 380 x 325 x 370mm / 14.96 x 12.80 x 15.57 in. |
| Shipping weight | 5.5 Kg / 12.13 lbs |

¹10dB below the sound pressure level at specified sensitivity.

²6dB below the sound pressure level than that at the direction of maximum level. Max. angle between 1 kHz and 4 kHz.

³Measured on-axis, far field and referenced to 1 meter by inverse square law. Average from 100 Hz to 10 kHz.

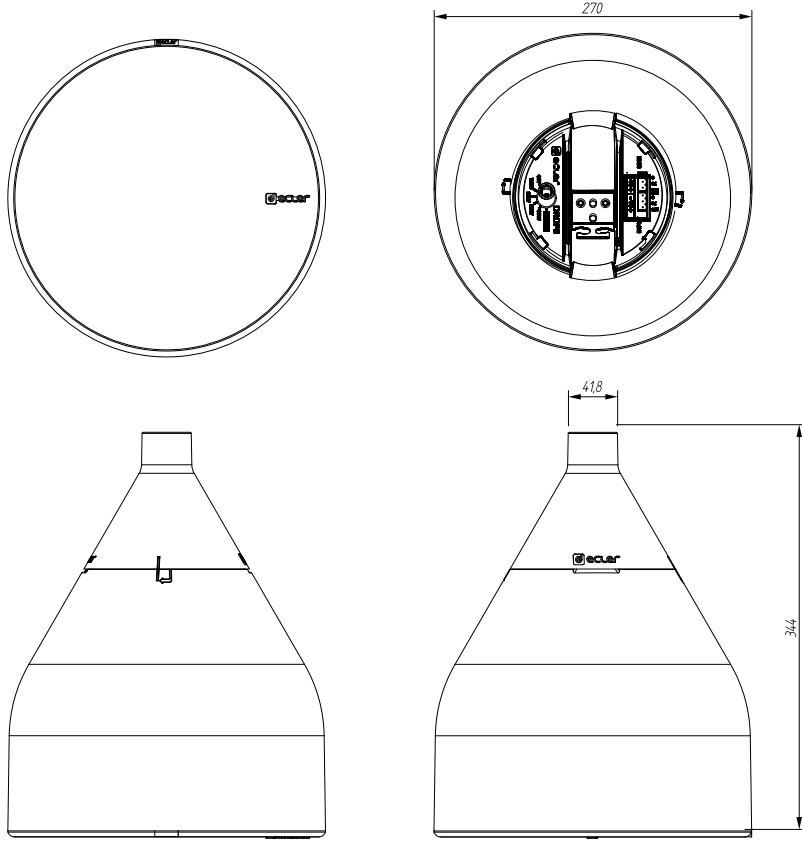
⁴Calculated from sensitivity and power handling specifications, exclusive of power compression.

| |
|---|
|  |
| PRECAUTIONS |
| WARRANTY & ENVIRONMENT |
| PACKAGE CONTENTS |
| DESCRIPTION & FEATURES |
| CONNECTIONS |
| RECOMMENDED AMPLIFIER |
| POSITIONING & INSTALLATION |
| TECHNICAL DATA |

8.2 Mechanical Diagram

All measurements are in mm.

Ecler DROP6i Mechanical Diagram



61-1079-0200

www.ecler.com

All the measurements are in mm



PRECAUTIONS

WARRANTY
&
ENVIRONMENT

PACKAGE
CONTENTS

DESCRIPTION
&
FEATURES

CONNECTORS

RECOMMENDED
AMPLIFIER

POSITIONING
&
INSTALLATION

TECHNICAL
DATA



PRECAUTIONS

WARRANTY
&
ENVIRONMENT

PACKAGE
CONTENTS

DESCRIPTION
&
FEATURES

CONNECTONS

RECOMMENDED
AMPLIFIER

POSITIONING
&
INSTALLATION

TECHNICAL
DATA



All product characteristics are subject to variation due to production tolerances. **NEEC AUDIO BARCELONA S.L.** reserves the right to make changes or improvements in the design or manufacturing that may affect these product specifications.

For technical queries contact your supplier, distributor or complete the contact form on our website, in [Support / Technical requests](#).

Motors, 166-168 | 08038 Barcelona, Spain | Tel. (+34) 932238403 | information@ecler.com | www.ecler.com