

# VIVO-X8D8

## DIGITAL PROCESSORS & MATRIXES

EclerPLEX Matrix



## PRODUCT OVERVIEW

**VIVO-X8D8** is an EclerPLEX Host matrix with 8 analogue and 8 Dante/AES67 audio input ports, 8 analogue and 8 Dante/AES67 audio output ports, scalable thanks to two X-link ports. A BIO-X8 (or BIO-X8G) expansion unit can be connected to each X-link port. VIVO-X8D8, performing as a Host unit in an EclerPLEX deployment, can contain multiple projects running simultaneously and serve user control panels to end users.

## KEY FEATURES

- EclerPLEX ecosystem host matrix unit.
- 8 MIC / LINE analogue audio input ports (+48V Phantom selectable per port).
- 8 LINE analogue audio output ports.
- 8 Dante/AES67 digital input ports (4 flows).
- 8 Dante/AES67 digital output ports (4 flows).
- 8 GPI ports.
- 8 GPO ports.
- 1 microSD card slot (for the 4 players).
- 2 x X-link audio&control expansion ports (each port allows to locally connect an external BIO-X8 BIO-X8G expansion unit).
- Scalable up to a 32x32 audio matrix size, including:
  - 24x24 analogue audio ports (by adding 2x BIO-X8 or BIO-X8G units).
  - 24x24 GPIO ports (by adding 2x BIO-X8 or BIO-X8G units).
  - 8x8 digital audio ports (Dante/AES67).
- 2x Ethernet (NET1 control, NET2 Control + Dante/AES67).
- 1 x RS-232 control port.
- 1 x 1.7" Colour TFT Display.
- Flexible processing structure (allows for custom-size matrix size matrices and custom-DSP power projects).
- Embedded EclerPLEX application that includes:
  - A Workspace, including multiple types of custom-size simultaneous projects running simultaneously, events, calendars, presets and more.
  - An editor, manager and server of User Control Panels
  - Scripting automation & control system.
  - 4 Internal SW audio players.
  - 2 Internal audio generators.
  - EclerCLOUD monitor and control native device.
  - Auto update feature.



**The hardware is designed to support all the features described in this document. Some are available from version 1.0, while others will be enabled progressively through future software updates.**

## APPLICATIONS

- Retail
- Corporate
- Sports & Wellness
- Hospitality

## TECHNICAL SPECIFICATIONS

## VIVO-X8D8

Digital Engine	
Processor	Quad core 64bits 1,5GHz
Audio Converters	
Sampling rate	48 kHz
Resolution	32 bit
Latency	3.87ms
Frequency response	10Hz to 20kHz (-0,5 dB)
Dynamic range	ADC:115dB, DAC: 115dB
Analogue Audio Input Ports	
Number of input ports	8, MIC/LINE level
Connection type	Euroblock, 3-pin, balanced
Input sensitivity	-32,5 dBV to +18,5 dBV -30,3 dBu to +20,7 dBu
Input impedance	8k $\Omega$ (balanced), 4k $\Omega$ (unbalanced)
Max input level	18,5 dBV / 20,7dBu
Mic preamp EIN	<-129,5 dBV <-127,3 dBu
Dynamic range	Gain 0 dB: >110,2 dB Gain 21 dB: >109,5 dB Gain 42 dB: >105,5 dB Gain 51 dB: >99,5 dB
THD + Noise	Gain 0 dB & Vin 0 dBV: 0,0025% Gain 21 dB & Vin -21 dBV: 0,0026% Gain 42 dB & Vin -42 dBV: 0,0044% Gain 51 dB & Vin -51 dBV: 0,0085%  Gain 0 dB & Vin +17 dBV: 0,0010% Gain 21 dB & Vin -4 dBV: 0,0015% Gain 42 dB & Vin -25 dBV: 0,0010% Gain 51 dB & Vin -34 dBV: 0,0015%
CMRR	>70dB typ (1kHz) >60 dB typ (20 Hz - 20kHz)
Phantom power	+48VDC, 10mA per input max
Analogue Audio Output Ports	
Number of output ports	8, LINE level
Connection type	Euroblock, 3-pin, balanced
Max output level	18,5dBV / 20,7dBu
Output impedance	300 $\Omega$ (balanced), 150 $\Omega$ (unbalanced)
Dynamic range	> 112,5 dB
Crosstalk	> 95dB
Audio Over IP	
Protocols	Dante® / AES67 (4/4 flows)
Number of digital input ports	8
Number of digital output ports	8
Interfaces	1 x RJ-45 - NET2

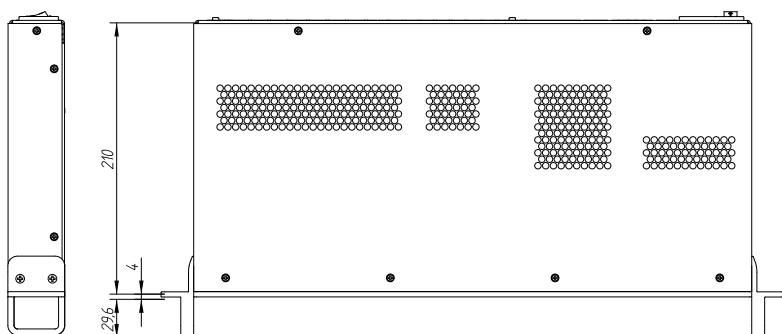
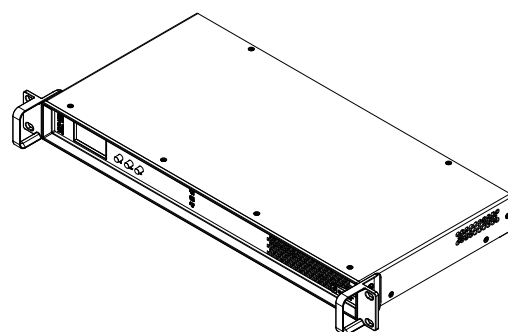
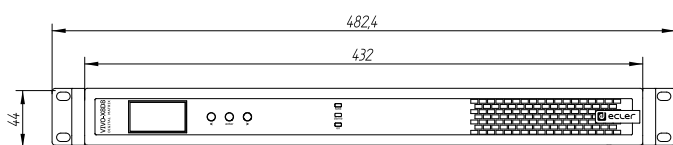
Connectivity		
Ethernet		2, RJ-45 connector NET1 & NET2 (no switch capability) Ethernet Base-Tx 10 /100Mb, 1Gb Auto X-Over
Serial port		RS-232, Euroblock, 3-pin connector
Programming and control		EclerPLEX (Web application), TPNET (UDP/RS232), UCP control panels
X-LINK		2, X-LINK ports. USB-C connector
Remote Control Connections		
GPIs		8, 0 to 12VDC
GPOs		8, 3 poles isolated relay; Contact rating: 2A, 30VDC; 0,5A, 125 VAC
Real-Time Clock		
Retention time		> 5 years
Accuracy		±1 minute / month
Local Storage		
microSD		SDXC
Capacity		Up to 2TB
File system		FAT16, FAT 32, VFAT (read/write) NTFS (read)
Playable audio files		Multi-partition up to 1 mp3, ogg, WAV, FLAC, AIFF
Files analysis		65354 playable folders 65354 playable folders within each folder 65354 playable files within each folder
Folder hierarchy		Up to 8 containing the root directory
Sorting		UNICODE, in alphabetical order Up to 100 folders / files by folder Folders/files over 100 sorted in the FAT order
Electrical		
Power supply		Internal. Universal, regulated switching mode supply
AC mains requirement		100-240 VAC @ 50-60Hz
AC mains connector		IEC C14 inlet
Power consumption		<19 W Typ, <23,5 W Max <36 VA, <41,5 VA Max
Heat load		<65 BTU/h Typ, <80 BTU/h Max
Ventilation		FAN
Physical		
Operating temperature		Min: 0°C ; 32°F Max: 50°C ; 122°F
Operating humidity		5 - 85% RH, non-condensing
Storage temperature		Min: 0°C ; 32°F Max: 50°C ; 122°F
Storage humidity		5 - 85% RH, non-condensing
Installation options		Desktop, 19" racks (1RU)
Included accessories		1x EU Mains cord, 1x Multiplug Mains cord, 4x Washers, 4x Rubber feet, 17x Euroblock connectors (green colour), 16x Euroblock connectors (blue colour), 2 USB holders, 2x Screws.
Dimensions (WxHxD)		482.4 x 44 x 214 mm / 18.99 x 1.73 x 8.43 in.

Weight	3.2 kg / 7.05 lb
Shipping dimensions (WxHxD)	585 x 385 x 75 mm / 23.03 x 15.15 x 2.95 in.
Shipping weight	4.65 kg/ 10.25 lb

MECHANICAL DIAGRAM



Ecler VIVO-X8D8 Mechanical Diagram



All the measurements are in mm

61-1141-0200

[www.ecler.com](http://www.ecler.com)



Motors, 166-168  
08038 – Barcelona - Spain  
[www.ecler.com](http://www.ecler.com)

All product characteristics are subject to variation due to production tolerances  
**NEEC AUDIO BARCELONA S.L.** reserves the right to make changes or improvements in the design or manufacturing that may affect these product specifications.  
For technical queries contact your supplier, distributor or complete the contact form on our website, in **Support / Technical requests**.