

# AURA-4B600

## COMMERCIAL AMPLIFIERS

### Multichannel LoZ & HiZ Amplifier



## PRODUCT OVERVIEW

**AURA-4B600** is a multichannel 4x600 W RMS @4 $\Omega$ , high efficiency amplifier (class D). Compatibility with both Low and Hi impedance configurations and supporting dual or bridge mode (@4/8 $\Omega$ ). AURA Series are built with the highest robustness for long lasting performances with special power supply circuitry designed for optimized electrical consumption with fan cooling system. AURA Series also features the possibility of linking channels to the first input by selecting it on the rear panel, as well as auto stand-by, overload and thermal protection, PFC and anti-clipping system. The front panel volume knobs can be locked using rear panel switches for added security.

## KEY FEATURES

- 4 analogue audio inputs and 4 x600 WRMS @4 $\Omega$  powered audio outputs.
- Low (2, 4 and 8 $\Omega$ ) and high impedance (70/100V) compatibility via rear panel switch.
- Supports dual or bridge mode (@4/8 $\Omega$ ).
- Euroblock input and output connectors.
- Euroblock connectors with anti-pulling locking system.
- Link to input 1 available.
- The front panel volume control knobs can be locked using the rear panel switches for added security.
- High efficiency (Class D).
- Auto Standby function.
- Fan cooling.
- Thermal protection.
- Overload protection.
- Anti-clip system.

## APPLICATIONS

- Leisure
- Hospitality
- Education
- Corporate
- Sports & Wellness
- Retail

## TECHNICAL SPECIFICATIONS

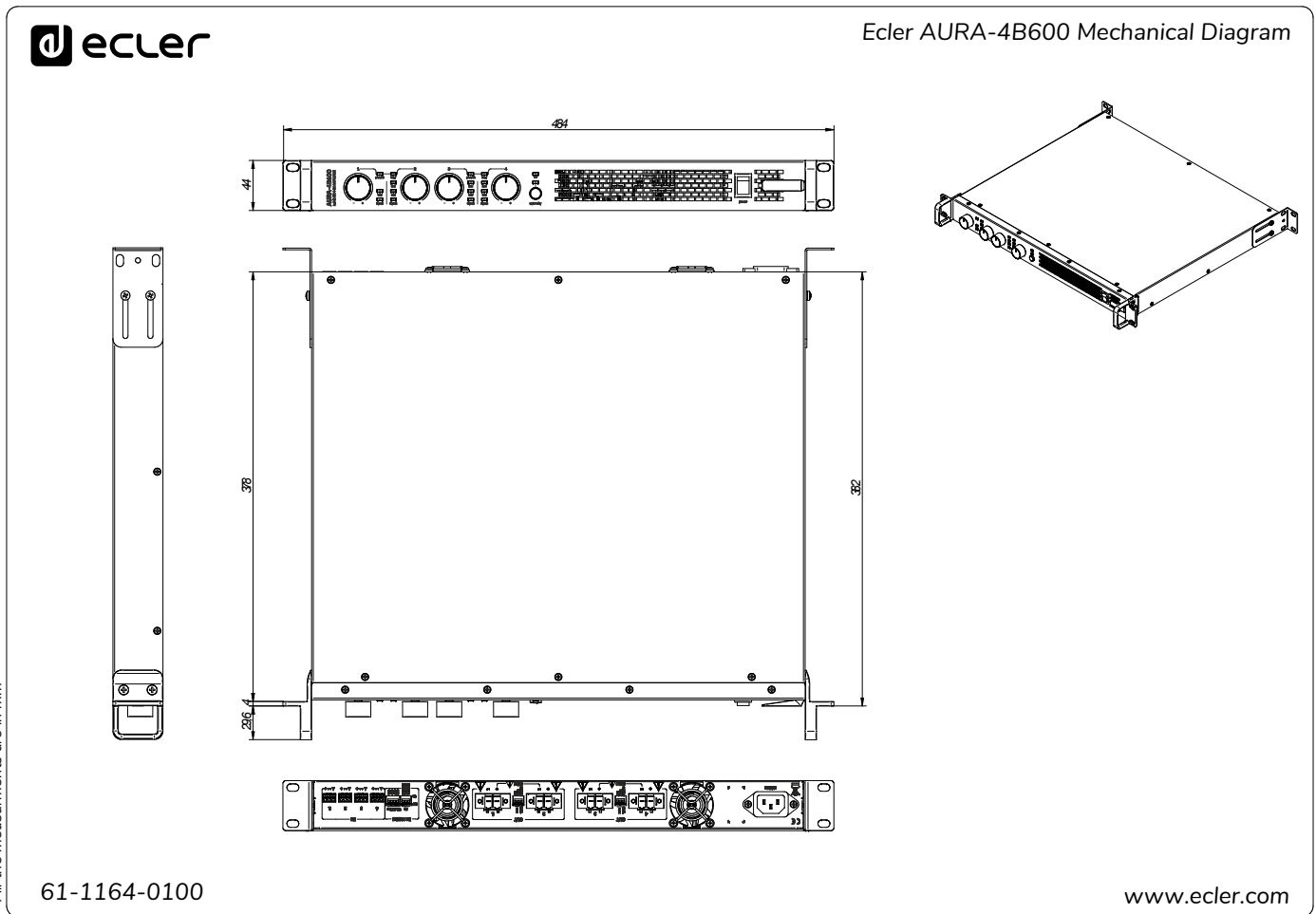
## AURA-4B600

CHANNELS	
Number of Outputs channels	4
Output connection type	2-pin Euroblock. Pitch: 7,62 mm
Number of Inputs channels	4
Input connection type	3-pin Euroblock, balanced, pitch 3,5 mm
Input configuration	Input link to CH1 selector per input
OUTPUT POWER All channels driven @1kHz @CF9dB @ 1%THD	
Max output power @ 8Ω	300W
Max output power @ 4Ω	600W
Max output power @ 2Ω	800W
Max output power @ 4Ω bridge mode	1300W
Max output power @ 8Ω bridge mode	900W
Max output power @ 100V	600W
Max output power @ 70V	600W
OUTPUT POWER Single channel driven @1kHz @CF9dB @ 1%THD	
Max output power @ 8Ω	300W
Max output power @ 4Ω	600W
Max output power @ 2Ω	900W
Max output power @ 4Ω bridge mode	1300W
Max output power @ 8Ω bridge mode	900W
Max output power @ 100V	600W
Max output power @ 70V	600W
SIGNAL	
Voltage gain	34 dB
Input sensitivity	0 dBV 2,21 dBu 1 Vrms
Input impedance	20kΩ balanced
Max input level	+18dBV 20,21 dBu
Frequency response	15Hz - 30kHz
THD + Noise	<0,01%
SNR	100dBA
Crosstalk	>70dB
CMRR	> 55 Typ
Damping Factor	>150
ELECTRICAL	
Power supply	Universal, regulated SMPS with PFC
AC mains requirement	100-240 V @ 50-60Hz (±10%)
Power factor correction	> 0,95
AC mains connector	IEC C14 inlet

POWER & HEAT @230VAC	
1/4 POWER, @ 4Ω (all channels driven)	
Power	799,2 W 859 VA
Current Draw	3,75 Arms
Thermal Loss	171,3 kcal/h 679,9 BTU/h
1/8 POWER, @ 4Ω (all channels driven)	
Power	463,9 W 516 VA
Current Draw	2,24 Arms
Thermal Loss	141,0 kcal/h 559,4 BTU/h
IDLE (all channels driven)	
Power	60 W 164,4 VA
Current Draw	0,70 Arms
Thermal Loss	51,6 kcal/h 204,8 BTU/h
SLEEP MODE (all channels driven)	
Power	2,3 W 81,4 VA
Current Draw	0,35 Arms
Thermal Loss	2,0 kcal/h 7,8 BTU/h
POWER & HEAT @120VAC	
1/4 POWER, @ 4Ω (all channels driven)	
Power	828,5 W 844 VA
Current Draw	7,50 Arms
Thermal Loss	196,5 kcal/h 779,8 BTU/h
1/8 POWER, @ 4Ω (all channels driven)	
Power	467,7 W 489 VA
Current Draw	4,31 Arms
Thermal Loss	152,01 kcal/h 603,1 BTU/h
IDLE (all channels driven)	
Power	99,4 W 844 VA
Current Draw	1,02 Arms
Thermal Loss	85,5 kcal/h 339,3 BTU/h
SLEEP MODE (all channels driven)	
Power	1,5 W 23,9 VA
Current Draw	0,20 Arms
Thermal Loss	1,3 kcal/h 5,01 BTU/h

TECHNOLOGIES	
Amplification technology	Class D
Energy saving	Auto standby function selectable
Efficiency	72%
Cooling	2 fans
Maximum fan noise	57 dBA
PROTECTIONS	
DC protection	Yes
HF protection	Yes
Short-circuit protection	Yes
Clip limiter	Yes
Thermal protection	Yes
LOCAL CONTROL	
Attenuators	Front panel knobs per channel VOL (default)/BYPASS option
Output mode settings	Back panel Dipswitch by pairs of channels DUAL/BRIDGE LoZ/70V/100V
RUN/SLEEP mode	Auto standby function Front panel button
Power ON/OFF	Front panel switch
MONITORING	
Signal Present	SIGNAL LED (Green) per channel
Clipping	CLIP LED (Red) per channel
Protect	PROT LED (Red) by pairs of channels
Standby	AUTO STANDBY ON/OFF LED (Green) per unit
Standby / Mute	AUTO STANDBY (Orange) by pairs of channels
Thermal	TH LED (Orange) by pairs of channels
On	ON LED (Green) per unit
Link	LINK LED (White) per channel
PHYSICAL	
Operating temperature	Min:-10° ; 14° C Max: 50° ; 122° F
Operating humidity	5 - 85% RH, non-condensing
Storage temperature	Min:-10° ; 14° C Max: 50° ; 122° F
Storage humidity	5 - 85% RH, non-condensing
Dimensions (WxHxD)	484 x 44 x 411.6 mm / 19 x 1,73 x 16.20 in.
Weight	7.7 kg / 16.98 lb
Shipping dimensions (WxHxD)	590 x 80 x 590 mm / 23.23 x 3.15 x 23.23 in.
Shipping weight	10.5 kg / 23.15 lb

MECHANICAL DIAGRAM



All the measurements are in mm

## A & E SPECIFICATIONS

The Amplifier shall be able to work both in Low Impedance(@2/4/8Ω) and High Impedance(70/100V), Selectable through a switch in the rear panel, containing two independent controllable amplifier channels with a 600W @ 4 Ω maximum output power per channel and supporting dual or bridge mode (@4/8Ω) The construction shall be transformer-less, using Class-D Amplifier technology and powered by a universal, regulated SMPS with PFC power supply. Each channel shall have integrated circuitry to protect against short-circuits or mismatched loads and over-heating. Additionally, the load shall be protected against DC faults and a clip limiter shall automatically reduce the input gain at onset of distortion.

The front panel shall contain an AC power switch, a power on indicator LED, an Auto Standby button and Auto Standby LED. Each channel should have a level knob, a signal LED, a clip LED and a link LED, moreover protect and thermal LEDs for each pair of channels. The front panel knobs should be able to be disabled by means of the VOL Bypass switch on the rear panel. Auto Standby threshold value is -50 dB. The possibility to link the channels to input 1 shall be available through a switch-on the rear panel.

All connections shall be made on the rear panel of the unit. The output connections must be fitted with terminal block connectors. The amplifier shall operate on a 100-240V AC - 50/60 Hz mains network and shall be equipped with a removable power cord having a standard Shuko (CEE 7/7) AC plug. The connector on the amplifier chassis shall be a fused IEC C14 type. The amplifier chassis shall be a 1UR steel constructed 19" housing. Depth from mounting surface to rear supports shall be 411.6mm and the weight shall not exceed 7.7 Kg.

The amplifier shall be the ECLER AURA-4B600.



All product characteristics are subject to variation due to production tolerances. NEEC AUDIO BARCELONA S.L. reserves the right to make changes or improvements in the design or manufacturing that may affect these product specifications.

For technical queries contact your supplier, distributor or complete the contact form on our website, in [Support / Technical requests](#).

Motors, 166-168 - 08038 Barcelona - Spain | (+34) 932238403 | [information@ecler.com](mailto:information@ecler.com) | [www.ecler.com](http://www.ecler.com)