

AURA Series

COMMERCIAL AMPLIFIERS

Two Channels / Multichannel / LoZ HiZ Amplifiers



USER MANUAL



PRECAUTIONS

WARRANTY & ENVIRONMENT

PACKAGE CONTENTS

DESCRIPTION & FEATURES

PANEL FUNCTIONS

INSTALL & CONNECT

START-UP & OPERATION

TECHNICAL DATA

TABLE OF CONTENTS

1. PRECAUTIONS	3
1.1 Important Notice.....	3
1.2 Key Safety Directions.....	4
1.3 Cleaning Directions.....	4
2. WARRANTY & ENVIRONMENT	5
3. PACKAGE CONTENTS	5
4. DESCRIPTION & FEATURES	6
4.1 Main Features.....	6
5. PANEL FUNCTIONS	7
5.1 Front Panel.....	7
5.2 Rear Panel.....	8
6. INSTALL & CONNECT	9
6.1 Location, Assembly and Ventilation.....	9
6.2 Mains Connection.....	10
6.3 Analogue Input Connections.....	11
6.4 Amplified Output Connections	12
6.4.1 Out Configurations	13
7. START-UP & OPERATION	14
7.1 Start-up.....	14
8. TECHNICAL DATA	15
8.1 Technical Specifications.....	15
8.1.1 AURA-2B600.....	15
8.1.2 AURA-2B900.....	18
8.1.3 AURA-4B600.....	21
8.1.4 AURA-4B900.....	24
8.2 Mechanical Diagrams.....	27
8.2.1 AURA-2B600.....	27
8.2.2 AURA-2B900.....	28
8.2.3 AURA-4B600.....	29
8.2.4 AURA-4B900.....	30


PRECAUTIONS
WARRANTY & ENVIRONMENT
PACKAGE CONTENTS
DESCRIPTION & FEATURES
PANEL FUNCTIONS
INSTALL & CONNECT
START-UP & OPERATION
TECHNICAL DATA

1. PRECAUTIONS

1.1 Important Notice



WARNING: SHOCK HAZARD - DO NOT OPEN

AVIS: RISQUE DE CHOC ÉLECTRIQUE - NE PAS OUVRIR



The flashing light with an arrowhead symbol inside an equilateral triangle on it is intended to alert the user of the presence of non-insulated “dangerous voltage” within the enclosure, which might be of sufficient magnitude to pose a risk of electric shock to users.



The exclamation mark within an equilateral triangle is intended to alert the user of the requirement for important operating and maintenance (servicing), for which instructions may be found in the literature accompanying the appliance.

WARNING (If applicable): The terminals marked with symbol “⚡” may be of sufficient magnitude to pose a risk of electric shock. The external wiring connected to terminals requires installation by a technician, or the use of ready-made leads or cords.

WARNING: To prevent fire or shock hazard, do not expose this equipment to rain or humidity.

WARNING: A device with Class I manufacturing ought to be connected to a mains socket outlet with a protective earthing connection.



WARNING: Ecler products have a long lifetime of more than 10 years. This product must never be discarded as unsorted urban waste, but must be taken to the nearest electrical and electronic waste treatment centre.

! This equipment has been tested and found to comply with the limits for a Class A digital device, pursuant to part 15 of the FCC Rules. These limits are designed to provide reasonable protection against harmful interference when the equipment is operated in a commercial environment. This equipment generates, uses, and can radiate radio frequency energy and, if not installed and used in accordance with the instruction manual, may cause harmful interference to radio communications. Operation of this equipment in a residential area is likely to cause harmful interference in which case the user will be required to correct the interference at his own expense.

- PRECAUTIONS
- WARRANTY & ENVIRONMENT
- PACKAGE CONTENTS
- DESCRIPTION & FEATURES
- PANEL FUNCTIONS
- INSTALL & CONNECT
- START-UP & OPERATION
- TECHNICAL DATA

1.2 Key Safety Directions

1. Read the following directions.
2. Keep the following directions.
3. Observe all warnings.
4. Follow all instructions.
5. Do not use this device in proximity to water.
6. Clean only with a dry cloth.
7. Do not block any ventilation openings. Install in accordance with the manufacturer's instructions.
8. Do not install near any heat sources such as radiators, heat registers, stoves, or other devices (including amplifiers) that may release heat.
9. Do not defeat the safety purpose of the polarized or grounding type plug. A polarized plug has two blades, with one being wider than the other. A grounding type plug has two blades and a third grounding prong. The wide blade or the third prong are provided for your safety. If the provided plug does not fit into your outlet, contact a qualified electrician for a replacement of the obsolete outlet.
10. Protect the power cord from being walked on or pinched, particularly at the plugs, convenience receptacles, and at the point of exit from the device.
11. Only use attachments/accessories specified by the manufacturer.
12. Unplug the device during lightning storms or when unused for long periods.
13. Refer all servicing to qualified personnel. Servicing is required when the device has been damaged in any way, such as power supply cord or plug damage, liquid spillage or objects onto the device, the device has been exposed to rain or humidity, does not operate normally, or has been dropped.
14. Disconnecting from mains: When switching off the POWER switch, all the functions and light indicators of the unit will be stopped, but fully disconnecting the device from mains is done by unplugging the power cable from the mains input socket, therefore, it should always remain easily accessible
15. Equipment is connected to a socket-outlet with an earthing connection by means of a power cord.
16. The marking information is located at the top/rear of the unit.
17. The device shall not be exposed to dripping or splashing liquids, and no liquid-filled objects, such as a filled up glass, shall be placed on top of the device.

1.3 Cleaning Directions



Clean the unit with a soft, dry clean cloth or slightly wet with water and neutral liquid soap only, then dry it with a clean cloth. Be careful that water never gets into the unit through any hole. Never use alcohol, benzine, solvents or abrasive substances to clean this unit.

NEEC AUDIO BARCELONA, S.L. accepts no liability for any damage that may be caused to people, animal, or objects due to failure to comply with the warnings above.



PRECAUTIONS

WARRANTY & ENVIRONMENT

PACKAGE CONTENTS

DESCRIPTION & FEATURES

PANEL FUNCTIONS

INSTALL & CONNECT

START-UP & OPERATION

TECHNICAL DATA

2. WARRANTY & ENVIRONMENT

**Thank you for choosing Ecler AURA Series!
We greatly value your trust.**

It is **VERY IMPORTANT** to carefully read this manual and to fully understand its contents before any connecting takes place in order to make the best use of this equipment, as well as to get the best performance from it.

To ensure optimal operation of this device, **we strongly recommend that its maintenance be carried out by our authorised Technical Services.**

All ECLER products are covered by warranty, please refer to www.ecler.com or the warranty card included with this product for the period of validity and conditions.



Ecler is truly committed with the environment and planet sustainability, energy saving and CO₂ emission reduction. Recycling materials and using non-contaminant components are also top priorities in our green crusade.

Ecler has deeply evaluated and analyzed the environmental impacts of all the processes involved in the production of this product, including packaging, and has alleviated, reduced and/or compensated for them.

3. PACKAGE CONTENTS

- 1 unit of an AURA Series model.
- EU & multiplug mains cords.
- Euroblock Connectors (inputs /outputs)
- Desktop feet, rack 19" installation hardware.
- First Steps Guide.
- Warranty card.



PRECAUTIONS

WARRANTY & ENVIRONMENT

PACKAGE CONTENTS

DESCRIPTION & FEATURES

PANEL FUNCTIONS

INSTALL & CONNECT

START-UP & OPERATION

TECHNICAL DATA

4. DESCRIPTION & FEATURES

AURA Series is a family of analogue amplifiers offered in different power levels, such as the **AURA-2B600** with two channels delivering 2x600 W RMS @ 4 Ω , **AURA-2B900** with two channels delivering 2x900 W RMS @ 4 Ω , **AURA-4B600** with multichannel delivering 4x600 W RMS @ 4 Ω and **AURA-4B900** with multichannel delivering 4x900 W RMS @ 4 Ω .

AURA Series are built with the highest robustness for long lasting performances, with special power supply circuitry designed for optimized electrical consumption with fan cooling system.

AURA Series also features the possibility of linking channels to the first input by selecting it on the rear panel, Auto Standby, overload and thermal protection, PFC and anti-clipping system. In addition, the front panel volume knobs can be locked using rear panel switches for added security.

4.1 Main Features

- Low (2, 4 and 8 Ω) and high impedance (70/100V) compatibility via rear panel switch.
- Supports dual or bridge mode (@4/8 Ω).
- Euroblock input and output connectors.
- Euroblock connectors with anti-pulling locking system.
- Link to input 1 available.
- The front panel volume control knobs can be locked using the rear panel switches for added security.
- High efficiency (Class D).
- Auto Standby function.
- Fan cooling.
- Thermal protection.
- Overload protection.
- Anti-clip system.



PRECAUTIONS

WARRANTY & ENVIRONMENT

PACKAGE CONTENTS

DESCRIPTION & FEATURES

PANEL FUNCTIONS

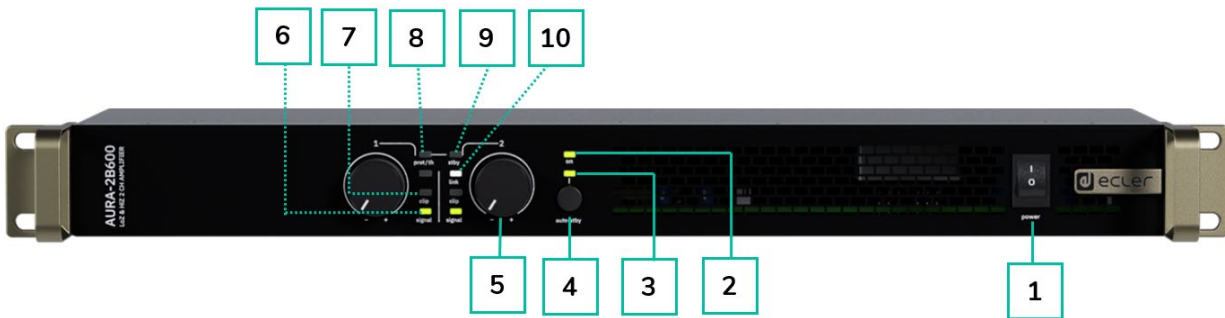
INSTALL & CONNECT

START-UP & OPERATION


TECHNICAL DATA

5. PANEL FUNCTIONS

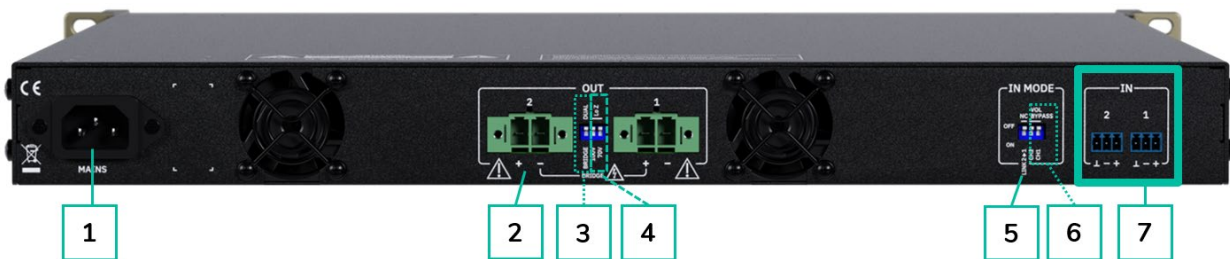
5.1 Front Panel



1. **Power Switch:** Press the switch to ON to power on the device.
2. **ON LED:** lights up in green colour when the unit is powered ON.
3. **Auto Standby indicator LED:** lights up in green colour when the Auto Standby function is enabled.
4. **Auto Standby button:** enables / disables the Auto Standby function (low power consumption mode, managed by channels).
5. **Control knobs (1-4 upon model):** each front panel LEVEL knob allows to control the volume of the correspondent amplified audio outputs.

 The front panel knobs can be disabled by means of the VOL Bypass switches on the rear panel. For further details, [see Rear Panel section](#).
6. **Signal indicator LED (per channel):** indicates signal presence in the amplification output. These indicators light up in green colour when the input signal exceeds -40dBV threshold.
7. **Clip indicator LED (per channel):** lights up in red colour when the input signal exceeds 3dBV.
8. **Protect /Thermal. indicator LED (per pair of channels):** lights up in red colour:
 - General protection circuit of the channel, fixed.
 - If temperature $\geq 75^{\circ}$, blinking at 1s ON and 3s OFF.
 - If temperature $\geq 79^{\circ}$, blinking at 500ms ON and 500ms OFF.
 - If temperature $\geq 83^{\circ}$, blinking at 100ms ON and 100ms OFF.
 - If temperature $\geq 125^{\circ} \text{C}$ (257°F) equipment goes into protection mode.
9. **Standby indicator LED (per pair of channels):** lights up in orange colour when one of the pair channels enters in Standby (low power consumption) mode. While one of the pair channels remains in Standby mode, indicator LED will light up in orange, until both channels are not in Standby.
10. **Link indicator LED (per channel):** lights up in white colour when the link function is activated = the channel gets its input audio signal from IN1 in the rear panel (same signal that CH1 gets), instead of getting it from INX, where X is the channel count index up when the maximum power is reached.

5.2 Rear Panel



- | | |
|---|---|
| <ol style="list-style-type: none"> 1. Mains socket base 2. Amplified outputs, OUT 1-2, or 1-4 (upon model), 2-pin Euroblock. 3. Dual/Bridge switch for OUT1/2 and OUT3/4 (upon models). 4. Output Impedance switch for OUT1/2 and OUT3/4 (upon models). | <ol style="list-style-type: none"> 5. Link switches for INX to IN1 (X=2 to 4, upon models). 6. VOL Bypass switches to enable or disable the control knobs of the front panel knobs. 7. Analogue inputs, IN1-2, or 1-4, (upon model), 3-pin Euroblock, balanced. |
|---|---|

6. INSTALL & CONNECT

The **equipment must be correctly grounded** (ground resistance, $R_g = 30 \text{ Ohm}$ or less). The environment must be dry and dustless. Do not expose the unit to rain or water splashes, and do not place liquid containers or incandescent objects like candles on top of the unit.

Do not obstruct the ventilation grilles with any kind of material. If the device requires any intervention and/or connection/disconnection, it must be first powered off.

Do not handle the speaker output terminals with your device turned on, there are high voltages. The output cabling should be connected by a qualified technician. Otherwise only use pre-made flexible cables. There are no user serviceable parts inside the amplifier.

! Non-compliance with the instructions or neglecting warnings may cause malfunction or even damage the unit.

- **Avoid turning on the device without the speakers connected to its outputs** and without having previously set the volume/gain controls to minimum level.
- **Always use shielded cables** to make connections between devices.
- **In an amplifier, avoid placing the speaker output cables close to other signal cables** (micro, line...). This may cause the system to oscillate, damaging the amplifier and speakers.

6.1 Location, Assembly and Ventilation

AURA Series devices have a **19" rack format (1RU)**.

It is very important not to enclose the amplifier or expose it to extreme temperatures as it generates heat.

It is also necessary to encourage the airflow through the ventilation holes of the chassis.

! If multiple products are installed in the same rack or in a cabinet with closed doors, it is highly recommended to install fans in their upper and lower ends for a forced airflow from the bottom up. This upward air flow will help to dissipate the heat generated inside.

! Regular maintenance of dust removal is highly recommended as dust can impede airflow and hinder heat dissipation.

6.2 Mains Connection

AURA operates on alternating voltages from 100-240 V @ 50-60Hz (±10%). This device is equipped with an oversized power supply capable of adapting **without any type of adjustment to the mains voltage of any country in the world.**

On the **front panel**, there is an **on/off switch** for the unit.



ON Led on the frontal panel lights up when unit is switched on.



To enable/disable the Auto Standby mode, press the Auto Standby button on the front panel. The Auto Standby LED will light in green accordingly.

Do not allow the mains cable to run parallel to the shielded cables carrying the audio signal, as this may cause humming.

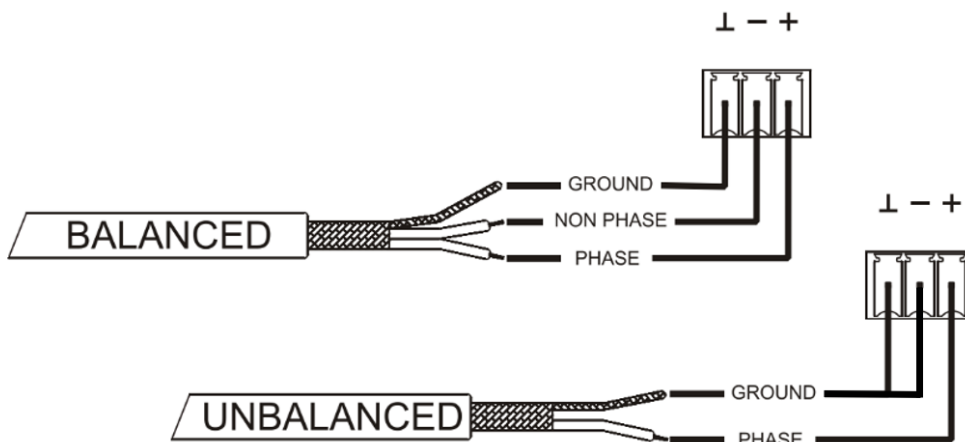
6.3 Analogue Input Connections

AURA rear panel provides analogue, balanced, line level signal inputs. The selection of hardware inputs and its routing to the unit's amplified channels are performed from its physical connections and LINK switch.



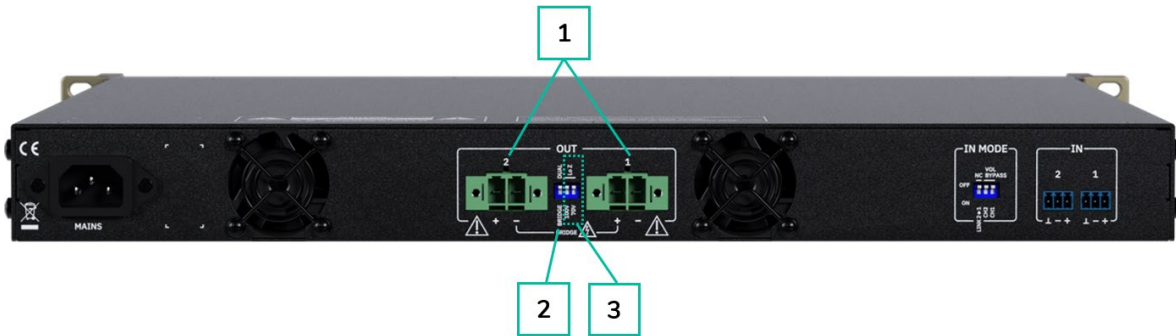
Signal input connectors are 3 position screw terminal block. The wiring is:

- | | | | |
|-------------------------|---|-----|---|
| Live or direct signal | → | Pin | + |
| Cold or inverted signal | → | Pin | - |
| Ground | → | Pin | ⊥ |



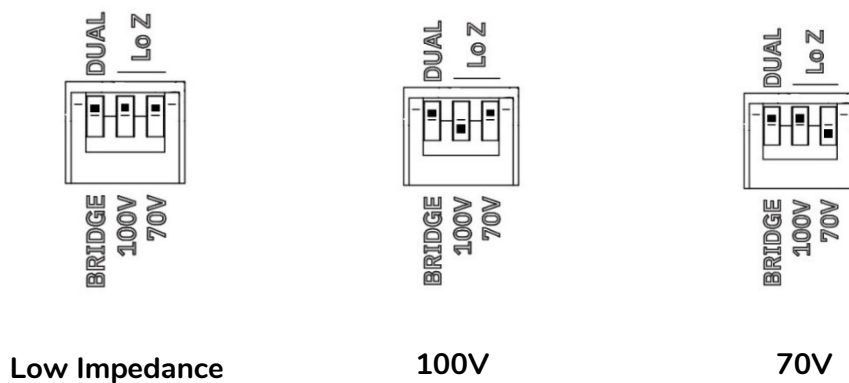
! For **unbalanced connection** short-circuit pin ⊥ to pin - as reported on the picture.

6.4 Amplified Output Connections



1. The rear panel is fitted with **two position screw terminal block for each amplified output**.
2. The **selection of dual output (each output independently) or bridge output (2 channels together and doubling the output power)** are performed from its physical connections and DUAL/BRIDGE switch.
3. The **selection of low impedance output (8, 4 and 2 Ω) or high impedance output (100V or 70V)** are performed from its physical connections and LoZ/100V-70V switch.


Switch Position




! Always respect the relative polarity for outputs (+ and - on each output connector), wiring and speakers.

6.4.1 Out Configurations

Select the appropriate operation mode to avoid damaging the loudspeakers. **Never connect loads below 2 ohms when working in low impedance mode.**

 **Make sure to match the impedance of the total load connected to the loudspeakers, when working in low impedance for a correct performance.**

 **The cable connecting the amplifier outputs to the loudspeakers must be of good quality, sufficient section and as short as possible.** This is most important when the distances to cover are long ones i.e., up to 10 meters it is recommended to use a section not inferior to 2.5mm² and for superior distances 4mm².



PRECAUTIONS

WARRANTY & ENVIRONMENT

PACKAGE CONTENTS

DESCRIPTION & FEATURES

PANEL FUNCTIONS

INSTALL & CONNECT

START-UP & OPERATION

TECHNICAL DATA

7. START-UP & OPERATION

7.1 Start-up

When the **front panel Power switch is ON**, the amplifier is powered, and **it will automatically switch on**.



When the **ON LED of the front panel is lit in green**, the device is operational.



! In a complete audio installation, it is important to start up the equipment in the following sequence:

1. sound sources
2. mixer
3. equalizers
4. active filters
5. processors
6. power amplifiers.

To turn them off the sequence should follow an inverse pattern.

8. TECHNICAL DATA

8.1 Technical Specifications

8.1.1 AURA-2B600

AURA-2B600

CHANNELS	
Number of Outputs channels	2
Output connection type	2-pin Euroblock. Pitch: 7,62 mm
Number of Inputs channels	2
Input connection type	3-pin Euroblock, balanced, pitch 3,5 mm
Input configuration	Input link to CH1 selector per input
OUTPUT POWER All channels driven @1kHz @CF9dB @ 1%THD	
Max output power @ 8Ω	300W
Max output power @ 4Ω	600W
Max output power @ 2Ω	800W
Max output power @ 4Ω bridge mode	1300W
Max output power @ 8Ω bridge mode	900W
Max output power @ 100V	600W
Max output power @ 70V	600W
OUTPUT POWER Single channel driven @1kHz @CF9dB @ 1%THD	
Max output power @ 8Ω	300W
Max output power @ 4Ω	600W
Max output power @ 2Ω	900W
Max output power @ 4Ω bridge mode	1300W
Max output power @ 8Ω bridge mode	900W
Max output power @ 100V	600W
Max output power @ 70V	600W
SIGNAL	
Voltage gain	34 dBΩ
Input sensitivity	0 dBV 2,21 dBu 1 Vrms
Input impedance	20kΩ balanced
Max input level	+18dBV 20,21 dBu
Frequency response	15Hz - 30kHz
THD + Noise	<0,01%
SNR	100dBA
Crosstalk	>70dB
CMRR	> 55 Typ
Damping Factor	>150
ELECTRICAL	
Power supply	Universal, regulated SMPS with PFC
AC mains requirement	100-240 V @ 50-60Hz (±10%)
Power factor correction	> 0,92
AC mains connector	IEC C14 inlet



PRECAUTIONS

WARRANTY & ENVIRONMENT

PACKAGE CONTENTS

DESCRIPTION & FEATURES

PANEL FUNCTIONS

INSTALL & CONNECT

START-UP & OPERATION

TECHNICAL DATA

POWER & HEAT @230VAC

1/4 POWER, @ 4Ω (all channels driven)	
Power	380 W 430 VA
Current Draw	1,86 Arms
Thermal Loss	68,8 kcal/h 273 BTU/h
1/8 POWER, @ 4Ω (all channels driven)	
Power	226,2 W 278 VA
Current Draw	1,20 Arms
Thermal Loss	65,5 kcal/h 260,1 BTU/h
IDLE (all channels driven)	
Power	62,4 W 129 VA
Current Draw	0,56 Arms
Thermal Loss	53,7 kcal/h 212,9 BTU/h
SLEEP MODE (all channels driven)	
Power	2,2 W 82 VA
Current Draw	0,35 Arms
Thermal Loss	1,8 kcal/h 7,3 BTU/h

POWER & HEAT @120VAC

1/4 POWER, @ 4Ω (all channels driven)	
Power	380,6 W 393 VA
Current Draw	3,45 Arms
Thermal Loss	69,3 kcal/h 275,1 BTU/h
1/8 POWER, @ 4Ω (all channels driven)	
Power	226,7 W 239 VA
Current Draw	2,09 Arms
Thermal Loss	66,01 kcal/h 261,8 BTU/h
IDLE (all channels driven)	
Power	62,8 W 81 VA
Current Draw	0,70 Arms
Thermal Loss	54,01 kcal/h 214,3 BTU/h
SLEEP MODE (all channels driven)	
Power	1,3 W 24 VA
Current Draw	0,20 Arms
Thermal Loss	1,1 kcal/h 4,4 BTU/h



PRECAUTIONS

WARRANTY & ENVIRONMENT

PACKAGE CONTENTS

DESCRIPTION & FEATURES

PANEL FUNCTIONS

INSTALL & CONNECT

START-UP & OPERATION

TECHNICAL DATA

TECHNOLOGIES	
Amplification technology	Class D
Energy saving	Auto standby function selectable
Efficiency	79%
Cooling	2 fans
Maximum fan noise	58 dBA
PROTECTIONS	
DC protection	Yes
HF protection	Yes
Short-circuit protection	Yes
Clip limiter	Yes
Thermal protection	Yes
LOCAL CONTROL	
Attenuators	Front panel knobs per channel VOL (default)/BYPASS option
Output mode settings	Back panel Dipswitch by pairs of channels DUAL/BRIDGE LoZ/70V/100V
RUN/SLEEP mode	Auto standby function Front panel button
Power ON/OFF	Front panel switch
MONITORING	
Signal Present	SIGNAL LED (Green) per channel
Clipping	CLIP LED (Red) per channel
Protect	PROT LED (Red) by pairs of channels
Standby	AUTO STANDBY ON/OFF LED (Green) per unit
Standby / Mute	AUTO STANDBY (Orange) by pairs of channels
Thermal	TH LED (Orange) by pairs of channels
On	ON LED (Green) per unit
Link	LINK LED (White) per channel
PHYSICAL	
Operating temperature	Min:-10° ; 14° C Max: 50° ; 122° F
Operating humidity	5 - 85% RH, non-condensing
Storage temperature	Min:-10° ; 14° C Max: 50° ; 122° F
Storage humidity	5 - 85% RH, non-condensing
Dimensions (WxHxD)	484 x 44 x 411.6 mm / 19 x 1,73 x 16.20 in.
Weight	6.7 kg / 14.77 lb
Shipping dimensions (WxHxD)	590 x 80 x 590 mm / 23.23 x 3.15 x 23.23 in.
Shipping weight	9.45 kg / 20.83 lb



PRECAUTIONS

WARRANTY & ENVIRONMENT

PACKAGE CONTENTS

DESCRIPTION & FEATURES

PANEL FUNCTIONS

INSTALL & CONNECT

START-UP & OPERATION

TECHNICAL DATA

8.1.2 AURA-2B900

AURA-2B900

CHANNELS	
Number of Outputs channels	2
Output connection type	2-pin Euroblock. Pitch: 7,62 mm
Number of Inputs channels	2
Input connection type	3-pin Euroblock, balanced, pitch 3,5 mm
Input configuration	Input link to CH1 selector per input
OUTPUT POWER All channels driven @1kHz @CF9dB @ 1%THD	
Max output power @ 8Ω	450W
Max output power @ 4Ω	900W
Max output power @ 2Ω	1000W
Max output power @ 4Ω bridge mode	2000W
Max output power @ 8Ω bridge mode	1600W
Max output power @ 100V	900W
Max output power @ 70V	900W
OUTPUT POWER Single channel driven @1kHz @CF9dB @ 1%THD	
Max output power @ 8Ω	450W
Max output power @ 4Ω	900W
Max output power @ 2Ω	1200W
Max output power @ 4Ω bridge mode	2000W
Max output power @ 8Ω bridge mode	1600W
Max output power @ 100V	900W
Max output power @ 70V	900W
SIGNAL	
Voltage gain	34 dB
Input sensitivity	0 dBV 2,21 dBu 1 Vrms
Input impedance	20kΩ balanced
Max input level	+18dBV 20,21 dBu
Frequency response	15Hz - 30kHz
THD + Noise	<0,01%
SNR	100dBA
Crosstalk	>70dB
CMRR	> 55 Typ
Damping Factor	>150
ELECTRICAL	
Power supply	Universal, regulated SMPS with PFC
AC mains requirement	100-240 V @ 50-60Hz (±10%)
Power factor correction	> 0,93
AC mains connector	IEC C14 inlet
POWER & HEAT @230VAC	
1/4 POWER, @ 4Ω (all channels driven)	
Power	571,9 W
Current Draw	2,73 Arms
Thermal Loss	104,8 kcal/h 416,01 BTU/h

PRECAUTIONS
WARRANTY & ENVIRONMENT
PACKAGE CONTENTS
DESCRIPTION & FEATURES
PANEL FUNCTIONS
INSTALL & CONNECT
START-UP & OPERATION
TECHNICAL DATA

1/8 POWER, @ 4Ω (all channels driven)	
Power	328,2 W 378 VA
Current Draw	1,64 Arms
Thermal Loss	88,8 kcal/h 352,2 BTU/h
IDLE (all channels driven)	
Power	59,6 W 129 VA
Current Draw	0,56 Arms
Thermal Loss	51,3 kcal/h 203,4 BTU/h
SLEEP MODE (all channels driven)	
Power	2,1 W 79,8 VA
Current Draw	0,35 Arms
Thermal Loss	1,8 kcal/h 7,2 BTU/h

POWER & HEAT @120VAC

1/4 POWER, @ 4Ω (all channels driven)	
Power	587,5 W 603 VA
Current Draw	5,33 Arms
Thermal Loss	118,3 kcal/h 469,3 BTU/h
1/8 POWER, @ 4Ω (all channels driven)	
Power	335,9 W 438 VA
Current Draw	3,05 Arms
Thermal Loss	95,4 kcal/h 378,5 BTU/h
IDLE (all channels driven)	
Power	60,3 W 79 VA
Current Draw	0,68 Arms
Thermal Loss	51,8 kcal/h 205,6 BTU/h
SLEEP MODE (all channels driven)	
Power	1,3 W 23,9 VA
Current Draw	0,20 Arms
Thermal Loss	1,1 kcal/h 4,4 BTU/h

TECHNOLOGIES

Amplification technology	Class D
Energy saving	Auto standby function selectable
Efficiency	77%
Cooling	2 fans
Maximum fan noise	57 dBA

- PRECAUTIONS
- WARRANTY & ENVIRONMENT
- PACKAGE CONTENTS
- DESCRIPTION & FEATURES
- PANEL FUNCTIONS
- INSTALL & CONNECT
- START-UP & OPERATION
- TECHNICAL DATA

PROTECTIONS		
DC protection	Yes	
HF protection	Yes	
Short-circuit protection	Yes	
Clip limiter	Yes	
Thermal protection	Yes	
LOCAL CONTROL		
Attenuators	Front panel knobs per channel	VOL (default)/BYPASS option
Output mode settings	Back panel Dipswitch by pairs of channels	DUAL/BRIDGE LoZ/70V/100V
RUN/SLEEP mode	Auto standby function	Front panel button
Power ON/OFF	Front panel switch	
MONITORING		
Signal Present	SIGNAL LED (Green) per channel	
Clipping	CLIP LED (Red) per channel	
Protect	PROT LED (Red) by pairs of channels	
Standby	AUTO STANDBY ON/OFF LED (Green) per unit	
Standby / Mute	AUTO STANDBY (Orange) by pairs of channels	
Thermal	TH LED (Orange) by pairs of channels	
On	ON LED (Green) per unit	
Link	LINK LED (White) per channel	
PHYSICAL		
Operating temperature	Min:-10° ; 14° C	Max: 50° ; 122° F
Operating humidity	5 - 85% RH, non-condensing	
Storage temperature	Min:-10° ; 14° C	Max: 50° ; 122° F
Storage humidity	5 - 85% RH, non-condensing	
Dimensions (WxHxD)	484 x 44 x 411.6 mm / 19 x 1,73 x 16.20 in.	
Weight	6.75 kg / 14.88 lb	
Shipping dimensions (WxHxD)	590 x 80 x 590 mm / 23.23 x 3.15 x 23.23 in.	
Shipping weight	9.5 kg / 20.94 lb	

8.1.3 AURA-4B600

AURA-4B600

CHANNELS	
Number of Outputs channels	4
Output connection type	2-pin Euroblock. Pitch: 7,62 mm
Number of Inputs channels	4
Input connection type	3-pin Euroblock, balanced, pitch 3,5 mm
Input configuration	Input link to CH1 selector per input
OUTPUT POWER All channels driven @1kHz @CF9dB @ 1%THD	
Max output power @ 8Ω	300W
Max output power @ 4Ω	600W
Max output power @ 2Ω	800W
Max output power @ 4Ω bridge mode	1300W
Max output power @ 8Ω bridge mode	900W
Max output power @ 100V	600W
Max output power @ 70V	600W
OUTPUT POWER Single channel driven @1kHz @CF9dB @ 1%THD	
Max output power @ 8Ω	300W
Max output power @ 4Ω	600W
Max output power @ 2Ω	900W
Max output power @ 4Ω bridge mode	1300W
Max output power @ 8Ω bridge mode	900W
Max output power @ 100V	600W
Max output power @ 70V	600W
SIGNAL	
Voltage gain	34 dB
Input sensitivity	0 dBV 2,21 dBu 1 Vrms
Input impedance	20kΩ balanced
Max input level	+18dBV 20,21 dBu
Frequency response	15Hz - 30kHz
THD + Noise	<0,01%
SNR	100dBA
Crosstalk	>70dB
CMRR	> 55 Typ
Damping Factor	>150
ELECTRICAL	
Power supply	Universal, regulated SMPS with PFC
AC mains requirement	100-240 V @ 50-60Hz (±10%)
Power factor correction	> 0,95
AC mains connector	IEC C14 inlet
POWER & HEAT @230VAC	
1/4 POWER, @ 4Ω (all channels driven)	
Power	799,2 W 859 VA
Current Draw	3,75 Arms
Thermal Loss	171,3 kcal/h 679,9 BTU/h

PRECAUTIONS
WARRANTY & ENVIRONMENT
PACKAGE CONTENTS
DESCRIPTION & FEATURES
PANEL FUNCTIONS
INSTALL & CONNECT
START-UP & OPERATION
TECHNICAL DATA

1/8 POWER, @ 4Ω (all channels driven)	
Power	463,9 W 516 VA
Current Draw	2,24 Arms
Thermal Loss	141,0 kcal/h 559,4 BTU/h
IDLE (all channels driven)	
Power	60 W 164,4 VA
Current Draw	0,70 Arms
Thermal Loss	51,6 kcal/h 204,8 BTU/h
SLEEP MODE (all channels driven)	
Power	2,3 W 81,4 VA
Current Draw	0,35 Arms
Thermal Loss	2,0 kcal/h 7,8 BTU/h

POWER & HEAT @120VAC

1/4 POWER, @ 4Ω (all channels driven)	
Power	828,5 W 844 VA
Current Draw	7,50 Arms
Thermal Loss	196,5 kcal/h 779,8 BTU/h
1/8 POWER, @ 4Ω (all channels driven)	
Power	467,7 W 489 VA
Current Draw	4,31 Arms
Thermal Loss	152,01 kcal/h 603,1 BTU/h
IDLE (all channels driven)	
Power	99,4 W 844 VA
Current Draw	1,02 Arms
Thermal Loss	85,5 kcal/h 339,3 BTU/h
SLEEP MODE (all channels driven)	
Power	1,5 W 23,9 VA
Current Draw	0,20 Arms
Thermal Loss	1,3 kcal/h 5,01 BTU/h

TECHNOLOGIES

Amplification technology	Class D
Energy saving	Auto standby function selectable
Efficiency	72%
Cooling	2 fans
Maximum fan noise	57 dBA

PROTECTIONS	
DC protection	Yes
HF protection	Yes
Short-circuit protection	Yes
Clip limiter	Yes
Thermal protection	Yes
LOCAL CONTROL	
Attenuators	Front panel knobs per channel VOL (default)/BYPASS option
Output mode settings	Back panel Dipswitch by pairs of channels DUAL/BRIDGE LoZ/70V/100V
RUN/SLEEP mode	Auto standby function Front panel button
Power ON/OFF	Front panel switch
MONITORING	
Signal Present	SIGNAL LED (Green) per channel
Clipping	CLIP LED (Red) per channel
Protect	PROT LED (Red) by pairs of channels
Standby	AUTO STANDBY ON/OFF LED (Green) per unit
Standby / Mute	AUTO STANDBY (Orange) by pairs of channels
Thermal	TH LED (Orange) by pairs of channels
On	ON LED (Green) per unit
Link	LINK LED (White) per channel
PHYSICAL	
Operating temperature	Min:-10° ; 14° C Max: 50° ; 122° F
Operating humidity	5 - 85% RH, non-condensing
Storage temperature	Min:-10° ; 14° C Max: 50° ; 122° F
Storage humidity	5 - 85% RH, non-condensing
Dimensions (WxHxD)	484 x 44 x 411.6 mm / 19 x 1,73 x 16.20 in..
Weight	7.7 kg / 16.98 lb
Shipping dimensions (WxHxD)	590 x 80 x 590 mm / 23.23 x 3.15 x 23.23 in.
Shipping weight	10.5 kg / 23.15 lb

8.1.4 AURA-4B900

AURA-4B900

CHANNELS	
Number of Outputs channels	4
Output connection type	2-pin Euroblock. Pitch: 7,62 mm
Number of Inputs channels	4
Input connection type	3-pin Euroblock, balanced, pitch 3,5 mm
Input configuration	Input link to CH1 selector per input
OUTPUT POWER All channels driven @1kHz @CF9dB @ 1%THD	
Max output power @ 8Ω	450W
Max output power @ 4Ω	900W
Max output power @ 2Ω	1000W
Max output power @ 4Ω bridge mode	2000W
Max output power @ 8Ω bridge mode	1600W
Max output power @ 100V	900W
Max output power @ 70V	900W
OUTPUT POWER Single channel driven @1kHz @CF9dB @ 1%THD	
Max output power @ 8Ω	450W
Max output power @ 4Ω	900W
Max output power @ 2Ω	1200W
Max output power @ 4Ω bridge mode	2000W
Max output power @ 8Ω bridge mode	1600W
Max output power @ 100V	900W
Max output power @ 70V	900W
SIGNAL	
Voltage gain	34 dB
Input sensitivity	0 dBV 2,21 dBu 1 Vrms
Input impedance	20kΩ balanced
Max input level	+18dBV 20,21 dBu
Frequency response	15Hz - 30kHz
THD + Noise	<0,01%
SNR	100dBA
Crosstalk	>70dB
CMRR	> 55 Typ
Damping Factor	>150
ELECTRICAL	
Power supply	Universal, regulated SMPS with PFC
AC mains requirement	100-240 V @ 50-60Hz (±10%)
Power factor correction	> 0,95
AC mains connector	IEC C14 inlet
POWER & HEAT @230VAC	
1/4 POWER, @ 4Ω (all channels driven)	
Power	1129 W 1189 VA
Current Draw	5,37 Arms
Thermal Loss	196,9 kcal/h 781,6 BTU/h



PRECAUTIONS

WARRANTY & ENVIRONMENT

PACKAGE CONTENTS

DESCRIPTION & FEATURES

PANEL FUNCTIONS

INSTALL & CONNECT

START-UP & OPERATION

TECHNICAL DATA

1/8 POWER, @ 4Ω (all channels driven)	
Power	637,6 W 689 VA
Current Draw	3,05 Arms
Thermal Loss	161,3 kcal/h 640,3 BTU/h
IDLE (all channels driven)	
Power	97,4 W 161 VA
Current Draw	0,69 Arms
Thermal Loss	83,8 kcal/h 332,4 BTU/h
SLEEP MODE (all channels driven)	
Power	2,3 W 80,9 VA
Current Draw	0,35 Arms
Thermal Loss	2,01 kcal/h 7,8 BTU/h

POWER & HEAT @120VAC

1/4 POWER, @ 4Ω (all channels driven)	
Power	1114,01 W 1129 VA
Current Draw	10.17 Arms
Thermal Loss	184,01kcal/h 730,4 BTU/h
1/8 POWER, @ 4Ω (all channels driven)	
Power	657,3 W 671 VA
Current Draw	5,95 Arms
Thermal Loss	178,3 kcal/h 707,5 BTU/h
IDLE (all channels driven)	
Power	100,7 W 117 VA
Current Draw	1,03 Arms
Thermal Loss	86,6 kcal/h 343,7 BTU/h
SLEEP MODE (all channels driven)	
Power	1,5 W 24,01 VA
Current Draw	0,2 Arms
Thermal Loss	1,2 kcal/h 4,9 BTU/h

TECHNOLOGIES

Amplification technology	Class D Transformer isolated output
Energy saving	Auto standby function selectable
Efficiency	80%
Cooling	2 fans
Maximum fan noise	57 dBA

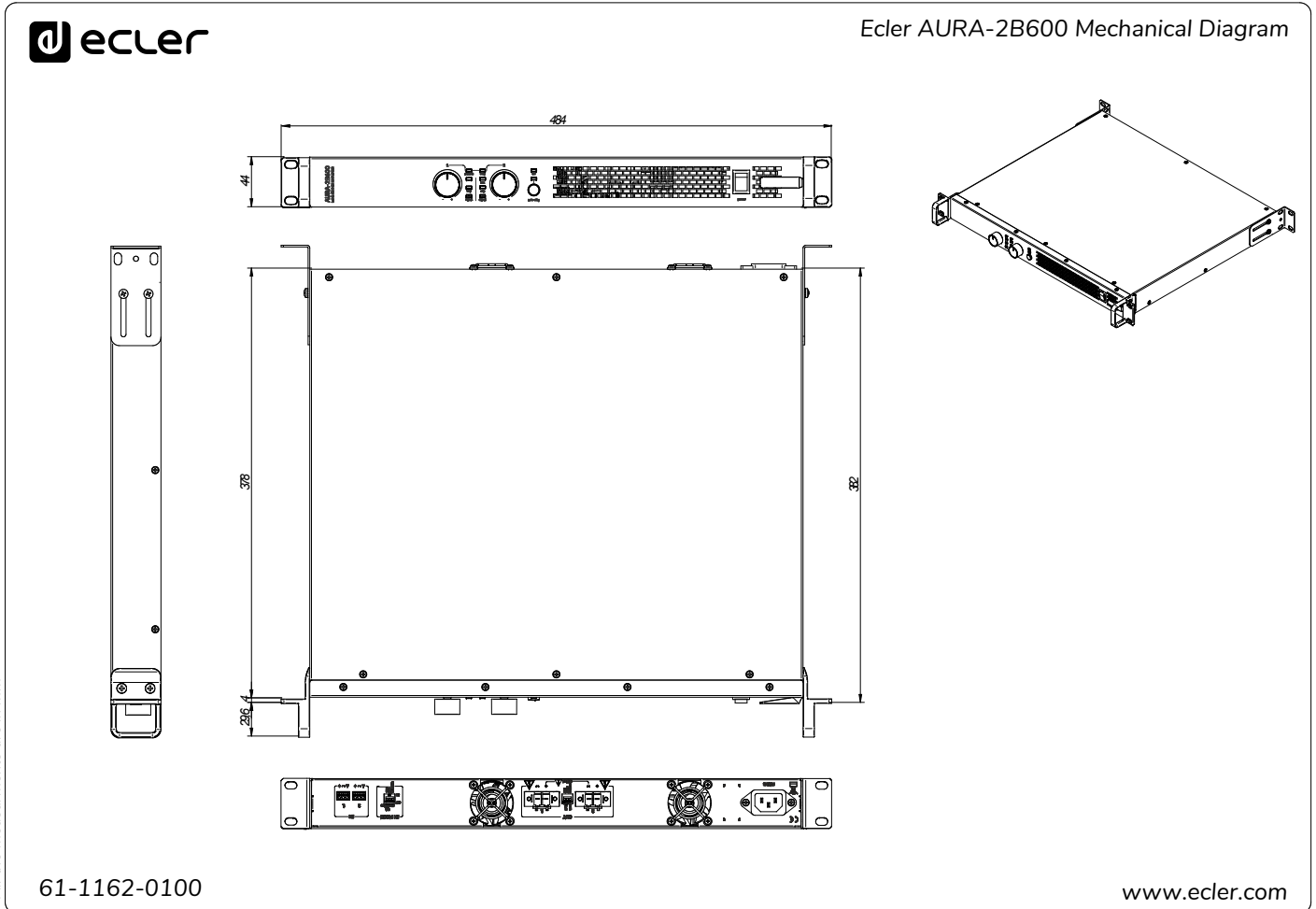
- PRECAUTIONS
- WARRANTY & ENVIRONMENT
- PACKAGE CONTENTS
- DESCRIPTION & FEATURES
- PANEL FUNCTIONS
- INSTALL & CONNECT
- START-UP & OPERATION
- TECHNICAL DATA

PROTECTIONS	
DC protection	Yes
HF protection	Yes
Short-circuit protection	Yes
Clip limiter	Yes
Thermal protection	Yes
LOCAL CONTROL	
Attenuators	Front panel knobs per channel VOL (default)/BYPASS option
Output mode settings	Back panel Dipswitch by pairs of channels DUAL/BRIDGE LoZ/70V/100V
RUN/SLEEP mode	Auto standby function Front panel button
Power ON/OFF	Front panel switch
MONITORING	
Signal Present	SIGNAL LED (Green) per channel
Clipping	CLIP LED (Red) per channel
Protect	PROT LED (Red) by pairs of channels
Standby	AUTO STANDBY ON/OFF LED (Green) per unit
Standby / Mute	AUTO STANDBY (Orange) by pairs of channels
Thermal	TH LED (Orange) by pairs of channels
On	ON LED (Green) per unit
Link	LINK LED (White) per channel
PHYSICAL	
Operating temperature	Min:-10° ; 14° C Max: 50° ; 122° F
Operating humidity	5 - 85% RH, non-condensing
Storage temperature	Min:-10° ; 14° C Max: 50° ; 122° F
Storage humidity	5 - 85% RH, non-condensing
Dimensions (WxHxD)	484 x 44 x 411.6 mm / 19 x 1,73 x 16.20 in.
Weight	7.7 kg / 16.98 lb
Shipping dimensions (WxHxD)	590 x 80 x 590 mm / 23.23 x 3.15 x 23.23 in.
Shipping weight	10.5 kg / 23.15 lb

8.2 Mechanical Diagrams

8.2.1 AURA-2B600

All measurements are in mm.



All the measurements are in mm

61-1162-0100

www.ecler.com



PRECAUTIONS

WARRANTY & ENVIRONMENT

PACKAGE CONTENTS

DESCRIPTION & FEATURES

PANEL FUNCTIONS

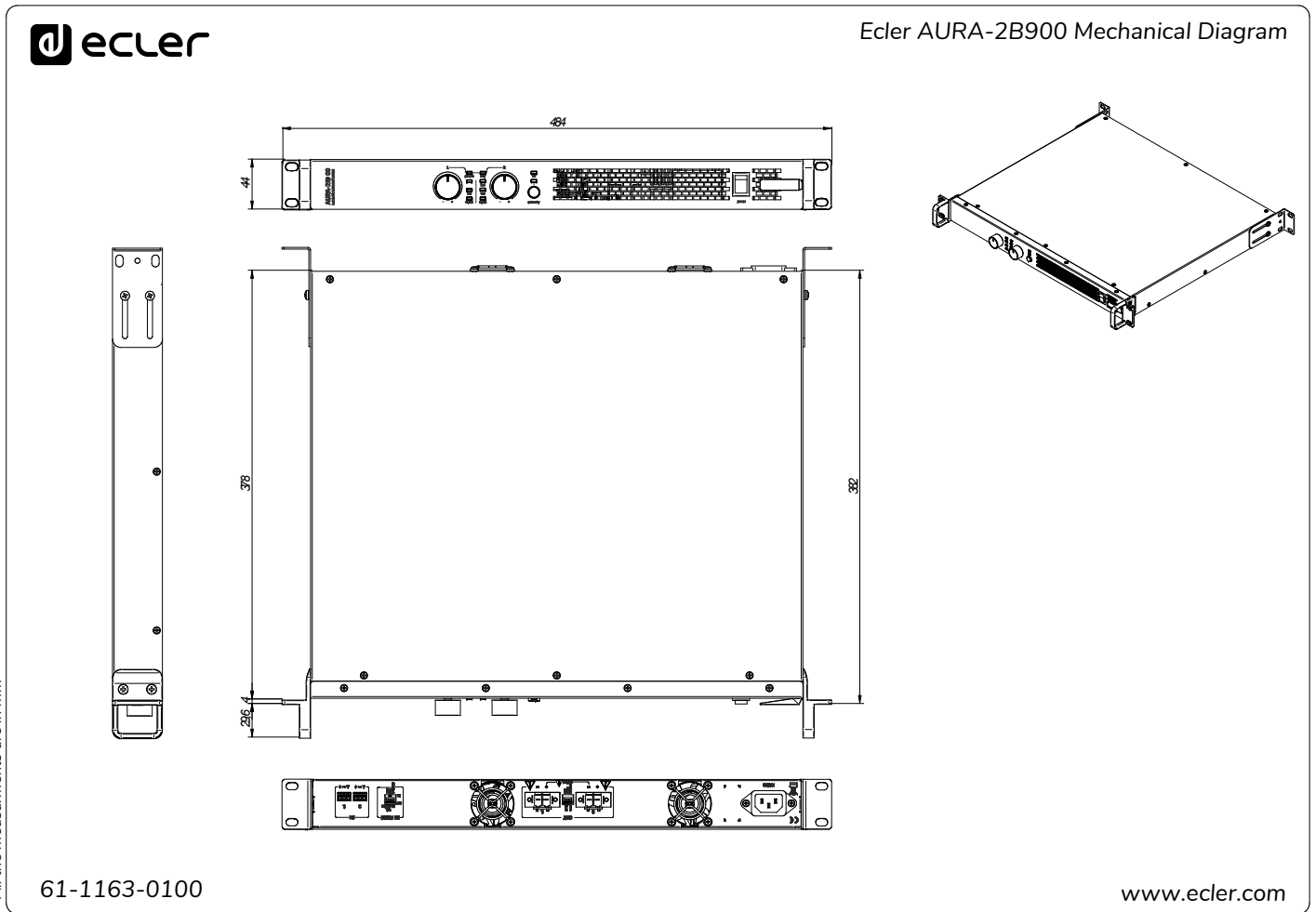
INSTALL & CONNECT

START-UP & OPERATION

TECHNICAL DATA

8.2.2 AURA-2B900

All measurements are in mm.



All the measurements are in mm.



PRECAUTIONS

WARRANTY & ENVIRONMENT

PACKAGE CONTENTS

DESCRIPTION & FEATURES

PANEL FUNCTIONS

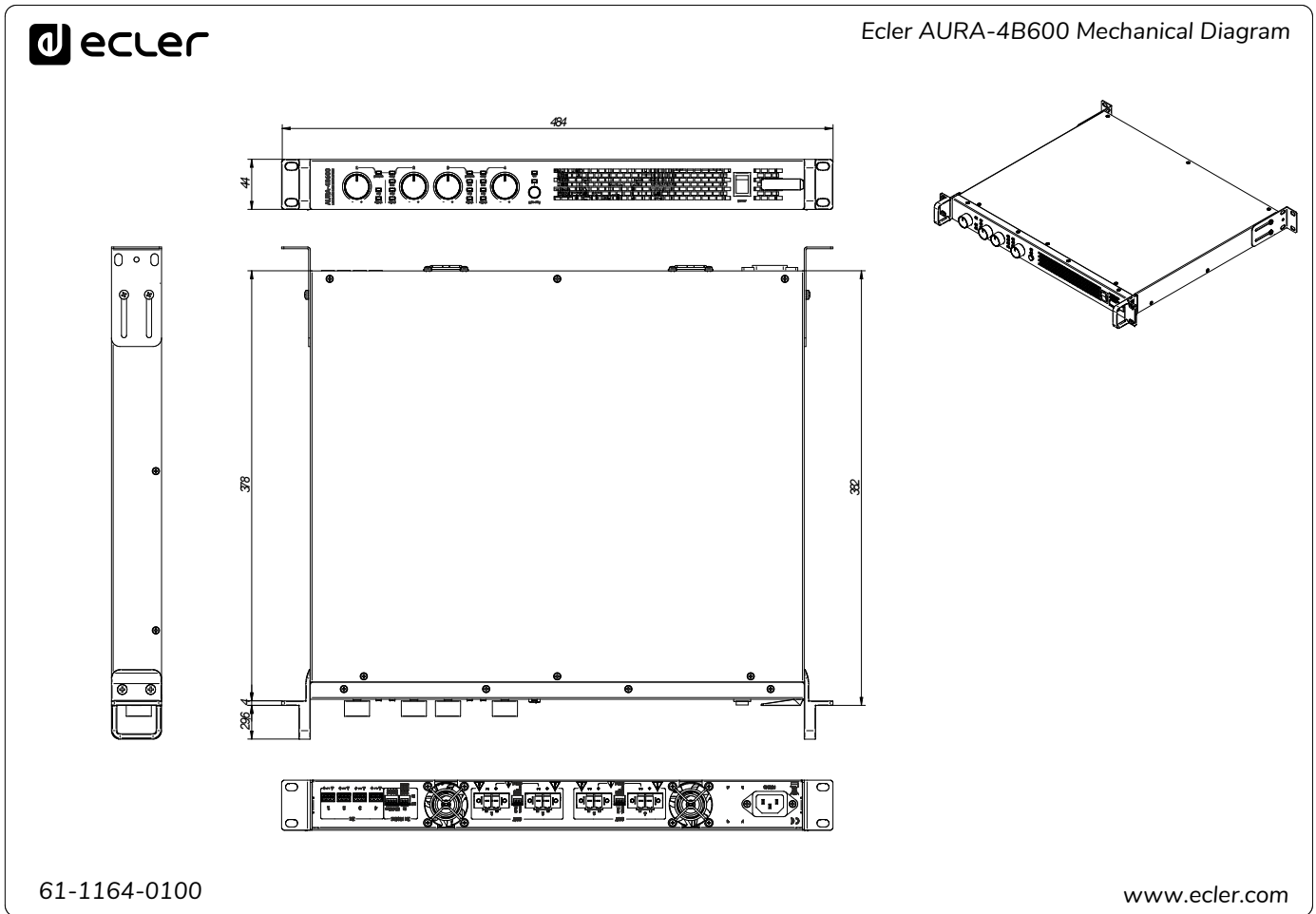
INSTALL & CONNECT

START-UP & OPERATION

TECHNICAL DATA

8.2.3 AURA-4B600

All measurements are in mm.



All the measurements are in mm

61-1164-0100

www.ecler.com



PRECAUTIONS

WARRANTY & ENVIRONMENT

PACKAGE CONTENTS

DESCRIPTION & FEATURES

PANEL FUNCTIONS

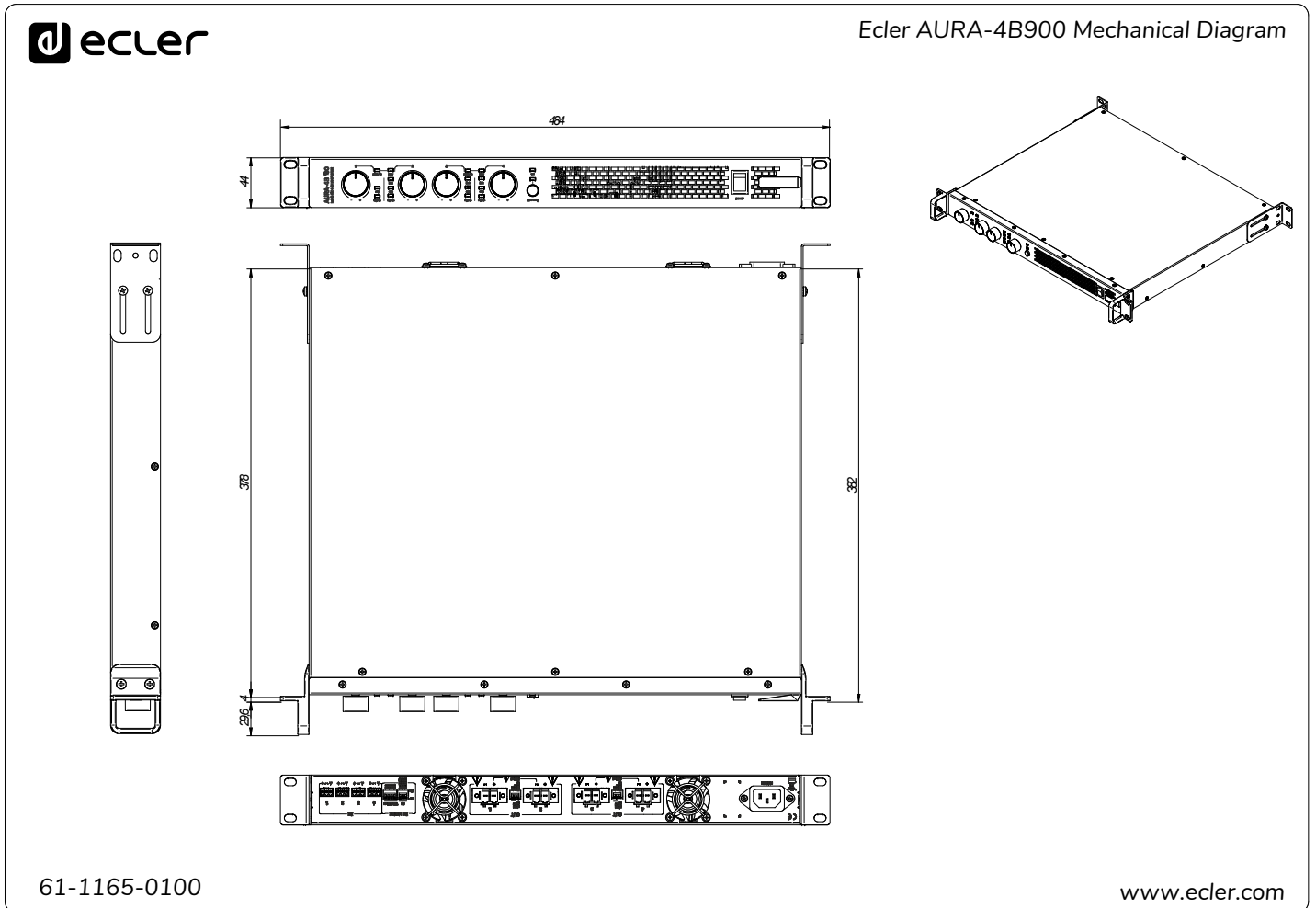
INSTALL & CONNECT

START-UP & OPERATION

TECHNICAL DATA

8.2.4 AURA-4B900

All measurements are in mm.



All the measurements are in mm



PRECAUTIONS

WARRANTY & ENVIRONMENT

PACKAGE CONTENTS

DESCRIPTION & FEATURES

PANEL FUNCTIONS

INSTALL & CONNECT

START-UP & OPERATION

TECHNICAL DATA



PRECAUTIONS

WARRANTY &
ENVIRONMENT

PACKAGE
CONTENTS

DESCRIPTION &
FEATURES

PANEL
FUNCTIONS

INSTALL &
CONNECT

START-UP &
OPERATION

TECHNICAL
DATA



All product characteristics are subject to variation due to production tolerances. **NEEC AUDIO BARCELONA S.L.** reserves the right to make changes or improvements in the design or manufacturing that may affect these product specifications.

For technical queries contact your supplier, distributor or complete the contact form on our website, in [Support / Technical requests](#).

Motors, 166-168 | 08038 Barcelona, Spain | Tel. (+34) 932238403 | information@ecler.com | www.ecler.com