

IG108i

LOUDSPEAKERS

High-Performance Loudspeakers



USER MANUAL



PRECAUTIONS

WARRANTY & ENVIRONMENT

PACKAGE CONTENTS

DESCRIPTION & FEATURES

CONNECTIONS

RECOMMENDED AMPLIFIER

POSITIONING & INSTALLATION

TECHNICAL DATA

TABLE OF CONTENTS

1. PRECAUTIONS	3
1.1 <i>Important Notice</i>	3
1.2 <i>Key Safety Directions</i>	4
1.3 <i>Cleaning Directions</i>	4
2. WARRANTY & ENVIRONMENT	5
3. PACKAGE CONTENTS	5
4. DESCRIPTION & FEATURES	6
4.1 <i>Main Features</i>	6
5. CONNECTIONS	7
5.1 <i>Connection Diagram</i>	8
6. RECOMMENDED AMPLIFIER	9
7. POSITIONING & INSTALLATION	9
7.1 <i>Positioning</i>	9
7.2 <i>Installation</i>	10
8. TECHNICAL DATA	11
8.1 <i>Technical Specifications</i>	11
8.2 <i>Mechanical Diagram</i>	12


PRECAUTIONS
WARRANTY & ENVIRONMENT
PACKAGE CONTENTS
DESCRIPTION & FEATURES
CONNECTIONS
RECOMMENDED AMPLIFIER
POSITIONING & INSTALLATION
TECHNICAL DATA

1. PRECAUTIONS

1.1 Important Notice



WARNING: SHOCK HAZARD - DO NOT OPEN

AVIS: RISQUE DE CHOC ÉLECTRIQUE - NE PAS OUVRIR



The flashing light with an arrowhead symbol inside an equilateral triangle on it is intended to alert the user of the presence of non-insulated “dangerous voltage” within the enclosure, which might be of sufficient magnitude to pose a risk of electric shock to users.



The exclamation mark within an equilateral triangle is intended to alert the user of the requirement for important operating and maintenance (servicing), for which instructions may be found in the literature accompanying the appliance.

WARNING (If applicable): Terminals marked with symbol may be of sufficient magnitude to pose a risk of electric shock. The external wiring connected to terminals requires installation by a technician, or the use of ready-made leads or cords.

WARNING: To prevent fire or shock hazard, do not expose this equipment to rain or humidity.

WARNING: A device with Class I manufacturing ought to be connected to a mains socket outlet with a protective earthing connection.



WARNING: Ecler products have a long lifetime of more than 10 years. This product must never be discarded as unsorted urban waste, but must be taken to the nearest electrical and electronic waste treatment centre.

PRECAUTIONS
WARRANTY & ENVIRONMENT
PACKAGE CONTENTS
DESCRIPTION & FEATURES
CONNECTIONS
RECOMMENDED AMPLIFIER
POSITIONING & INSTALLATION
TECHNICAL DATA

1.2 Key Safety Directions

1. Read the following directions.
2. Keep the following directions.
3. Observe all warnings.
4. Follow all instructions.
5. Do not use this device in proximity to water.
6. Clean only with a dry cloth.
7. Do not block any ventilation openings. Install in accordance with the manufacturer's instructions.
8. Do not install near any heat sources such as radiators, heat registers, stoves, or other devices (including amplifiers) that may release heat.
9. Do not defeat the safety purpose of the polarized or grounding type plug. A polarized plug has two blades, with one being wider than the other. A grounding type plug has two blades and a third grounding prong. The wide blade or the third prong are provided for your safety. If the provided plug does not fit into your outlet, contact a qualified electrician for a replacement of the obsolete outlet.
10. Protect the power cord from being walked on or pinched, particularly at the plugs, convenience receptacles, and at the point of exit from the device.
11. Only use attachments/accessories specified by the manufacturer.
12. Unplug the device during lightning storms or when unused for long periods.
13. Refer all servicing to qualified personnel. Servicing is required when the device has been damaged in any way, such as power supply cord or plug damage, liquid spillage or objects onto the device, the device has been exposed to rain or humidity, does not operate normally, or has been dropped.
14. Disconnecting from mains: When switching off the POWER switch, all the functions and light indicators of the unit will be stopped, but fully disconnecting the device from mains is done by unplugging the power cable from the mains input socket, therefore, it should always remain easily accessible
15. Equipment is connected to a socket-outlet with an earthing connection by means of a power cord.
16. The marking information is located at the top, rear or bottom of the unit.
17. The device shall not be exposed to dripping or splashing liquids, and no liquid-filled objects, such as a filled up glass, shall be placed on top of the device.

1.3 Cleaning Directions



Clean the unit with a soft, dry clean cloth or slightly wet with water and neutral liquid soap only, then dry it with a clean cloth. Be careful that water never gets into the unit through any hole. Never use alcohol, benzine, solvents or abrasive substances to clean this unit.

NEEC AUDIO BARCELONA, S.L. accepts no liability for any damage that may be caused to people, animal, or objects due to failure to comply with the warnings above.



PRECAUTIONS

WARRANTY & ENVIRONMENT

PACKAGE CONTENTS

DESCRIPTION & FEATURES

CONNECTIONS

RECOMMENDED AMPLIFIER

POSITIONING & INSTALLATION

TECHNICAL DATA

2. WARRANTY & ENVIRONMENT

**Thank you for choosing our Ecler IG108i !
We greatly value your trust.**

It is **VERY IMPORTANT** to carefully read this manual and to fully understand its contents before any connecting takes place in order to make the best use of this equipment, as well as to get the best performance from it.

To ensure optimal operation of this device, **we strongly recommend that its maintenance be carried out by our authorised Technical Services.**

All ECLER products are covered by warranty, please refer to www.ecler.com or the warranty card included with this product for the period of validity and conditions.



Ecler is truly committed with the environment and planet sustainability, energy saving and CO₂ emission reduction. Recycling materials and using non-contaminant components are also top priorities in our green crusade.

Ecler has deeply evaluated and analyzed the environmental impacts of all the processes involved in the production of this product, including packaging, and has alleviated, reduced and/or compensated for them.

3. PACKAGE CONTENTS

- 1x IG108i loudspeaker unit.
- 3x Waterproof wire connectors.
- 1x First Steps Guide.
- 1x Warranty card.



PRECAUTIONS

WARRANTY & ENVIRONMENT

PACKAGE CONTENTS

DESCRIPTION & FEATURES

CONNECTIONS

RECOMMENDED AMPLIFIER

POSITIONING & INSTALLATION

TECHNICAL DATA

4. DESCRIPTION & FEATURES

IG108i is a ground-standing speaker, water-resistant (IP65), with a 360° omnidirectional horizontal dispersion pattern. It is ideal for outdoor music and paging applications where a high-quality, reliable sound system is required.

4.1 Main Features

- IP65 outdoor rated loudspeaker.
- 8 Ω and 70/100 V (10, 20, 40 or 80 W tap switch).
- 8" Kevlar woofer and 1" silk dome tweeter.
- Frequency response (-10 dB): 61Hz to 20kHz.
- Omni directional horizontal coverage pattern (a circular area with an average radius of 4 to 6 meters can be covered by one unit, in a standard application).
- Security ground bracket included.
- Available in green (RAL 6028) and sand (RAL 1001) colours.
- **EASE files available.**



PRECAUTIONS

WARRANTY & ENVIRONMENT

PACKAGE CONTENTS

DESCRIPTION & FEATURES

CONNECTIONS

RECOMMENDED AMPLIFIER

POSITIONING & INSTALLATION


TECHNICAL DATA


5. CONNECTIONS

The connection cables which connect the amplifiers output and the speaker should be of good quality, have sufficient conductor area and be as short as possible. The latter fact is especially important when the distance is long and the load impedance low ($8\ \Omega$). A cross-section of at least 2.5mm^2 is recommended for distances up to 10m; 4 or 6mm^2 for longer distances. Following formula gives the required section, assuming 4% losses:

$$\text{Cross section in mm}^2 = \frac{\text{Length in m}}{\text{Loudspeaker impedance in } \Omega}$$

The IG108i is shipped from factory with the switch in 100V/70V position. If it is connected to a low-impedance amplifier, the speaker will not be damaged but will operate significantly below its full potential.

 If the speaker is accidentally connected to a 100V/70V line in the $8\ \Omega$ position, it will be severely damaged.

 If the loudspeaker is used in installations at 70V, the corresponding powers for the 100V position will be reduced to half.

 Always respect the polarity.

 See detailed connection diagram on next page.



PRECAUTIONS

WARRANTY & ENVIRONMENT

PACKAGE CONTENTS

DESCRIPTION & FEATURES

CONNECTIONS

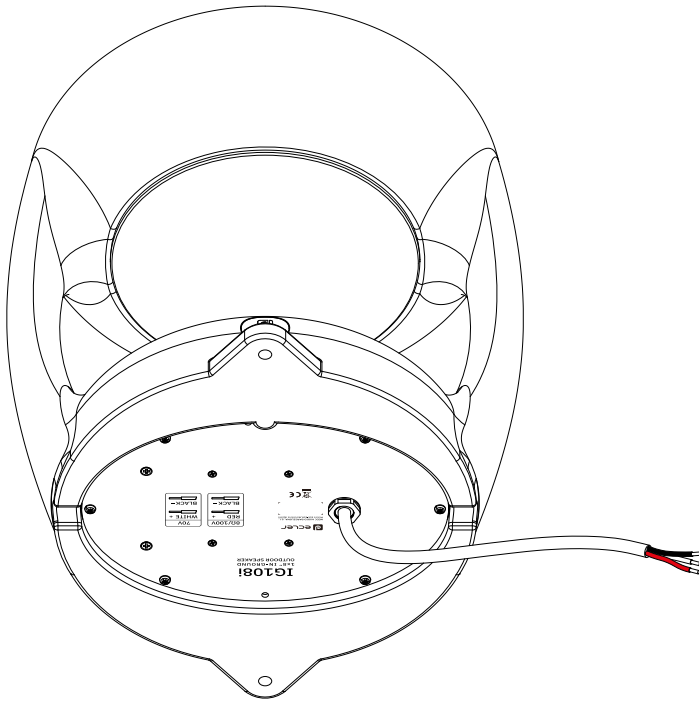
RECOMMENDED AMPLIFIER

POSITIONING & INSTALLATION

TECHNICAL DATA

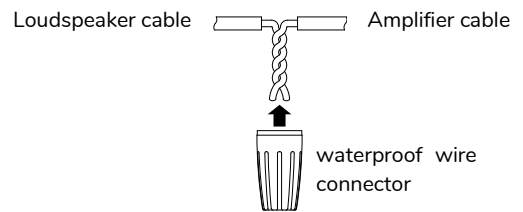
5.1 Connection Diagram

1

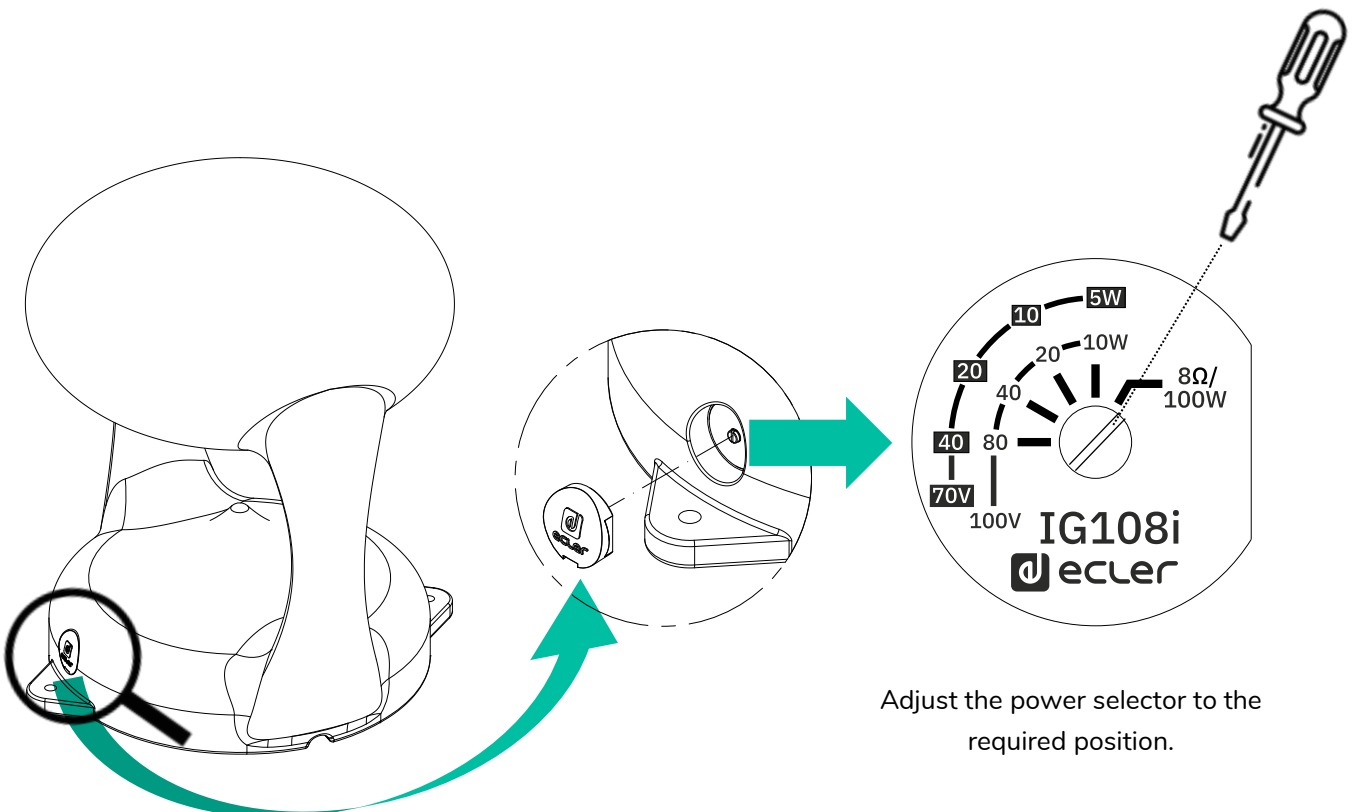


8Ω/100V		70V
RED +		WHITE +
BLACK -		BLACK -

Connect the cables accordingly and insert the waterproof wire connector supplied onto each wiring connection to guarantee proper insulation and protection.



2



Adjust the power selector to the required position.



PRECAUTIONS

WARRANTY & ENVIRONMENT

PACKAGE CONTENTS

DESCRIPTION & FEATURES

CONNECTIONS

RECOMMENDED AMPLIFIER

POSITIONING & INSTALLATION

TECHNICAL DATA

6. RECOMMENDED AMPLIFIER

The output power of the **recommended amplifier** for IG108i is **200W RMS**.

7. POSITIONING & INSTALLATION

7.1 Positioning

Consider following general rules.

Place the speaker on a solid and firm surface. No obstacles should stand between the enclosures and the audience. The high frequencies are very directive compared to the low frequencies, so that any obstacle will impair their response. In case large audiences must be addressed, a better long distance sound propagation will be achieved if the enclosures are flown high enough.



Download all EASE files by clicking on the image:



See detailed installation diagram on next page.



PRECAUTIONS

WARRANTY & ENVIRONMENT

PACKAGE CONTENTS

DESCRIPTION & FEATURES

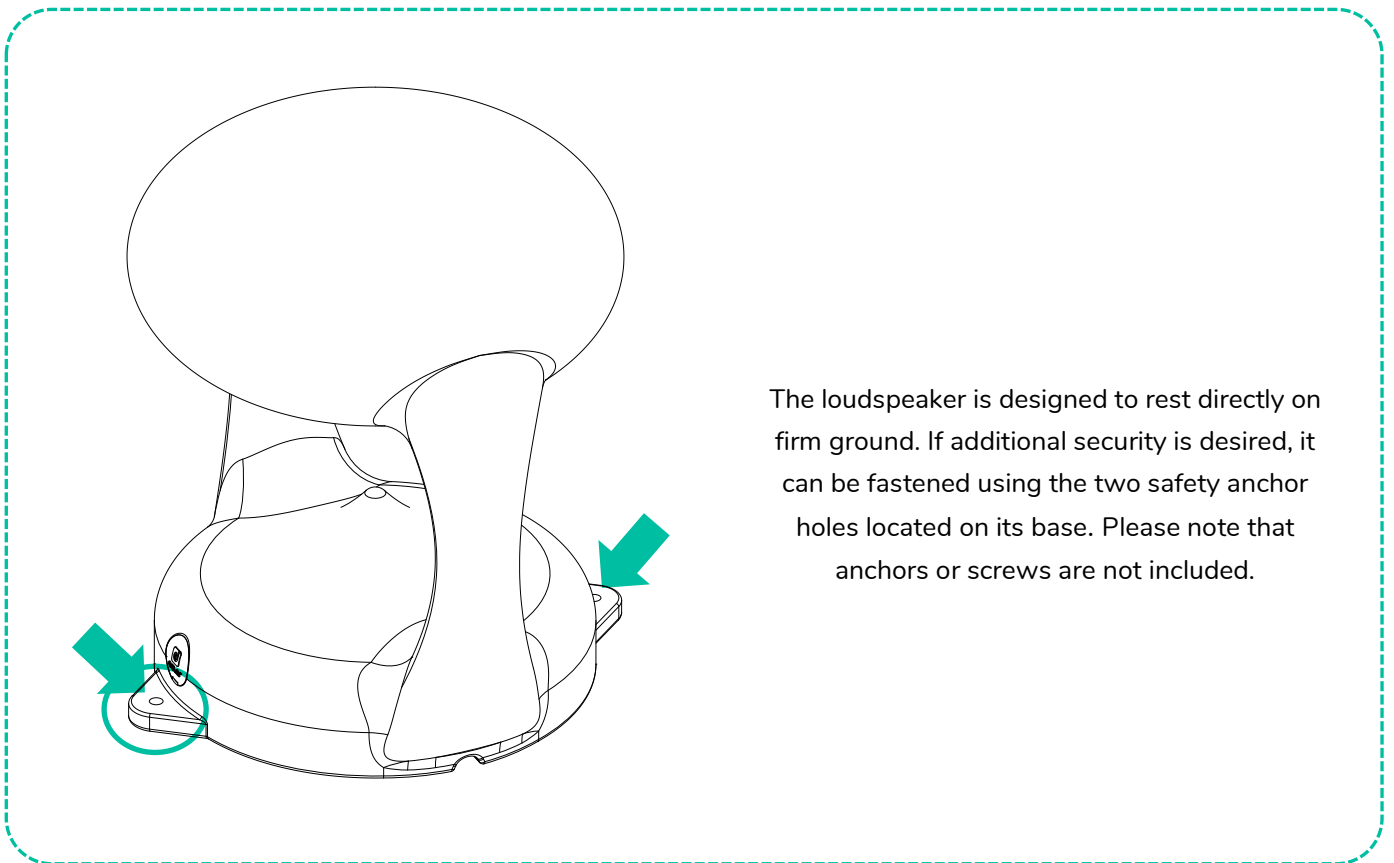
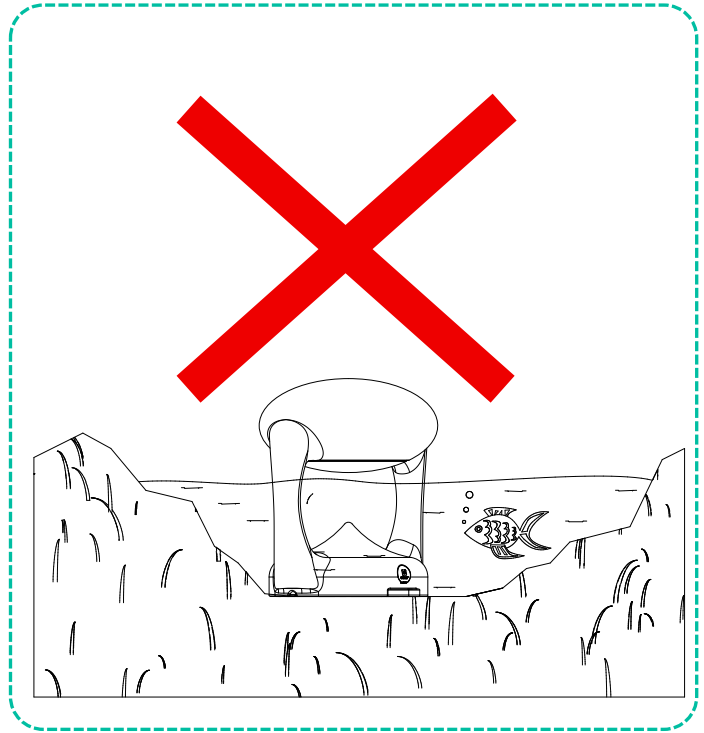
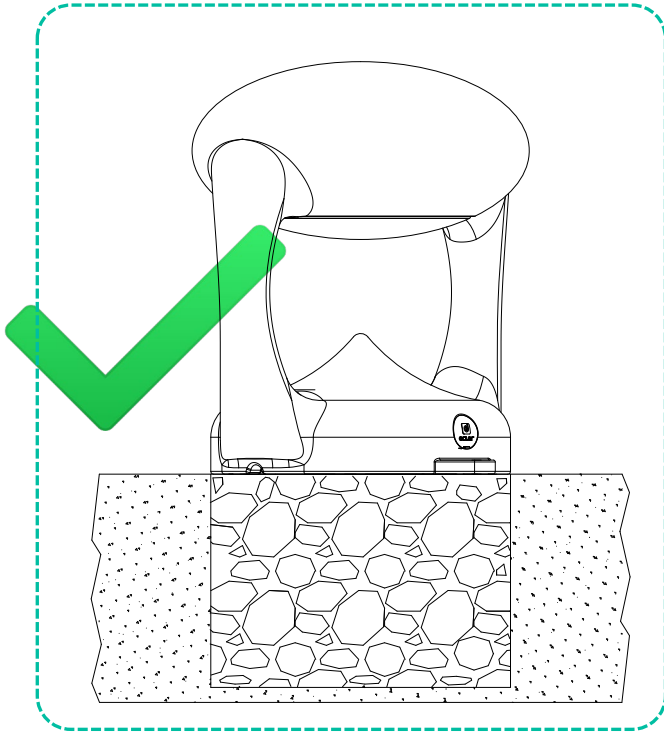
CONNECTIONS

RECOMMENDED AMPLIFIER

POSITIONING & INSTALLATION

TECHNICAL DATA

7.2 Installation



The loudspeaker is designed to rest directly on firm ground. If additional security is desired, it can be fastened using the two safety anchor holes located on its base. Please note that anchors or screws are not included.



PRECAUTIONS

WARRANTY & ENVIRONMENT

PACKAGE CONTENTS

DESCRIPTION & FEATURES

CONNECTIONS

RECOMMENDED AMPLIFIER

POSITIONING & INSTALLATION

TECHNICAL DATA

8. TECHNICAL DATA

8.1 Technical Specifications

IG108i

System	
Effective frequency range ¹	61Hz-20kHz
Coverage angle ²	360°
Continuous Power handling ³	100W
Program Power Handling ⁴	200W
Peak Power Handling ⁵	400W
On-axis Sensitivity ⁶	92dB
Maximum SPL ⁷	112dB continuous / 118dB peak
Power options	100V: 80W / 40W / 20W / 10W / 8Ω 70V: 40W / 20W / 10W / 5W
Recommended amplifier power	200W RMS
Transducers	
Configuration	2-ways full range
Low frequency driver	8" Kevlar woofer
High frequency driver	1" Silk Dome Tweeter
Nominal impedance	8Ω
Physical	
Connection type	External multi-wire cable with waterproof connection plug included
Power type selector	Tap selector
Installation options	Above-ground mounting
Environmental	IP65
Enclosure material	Polyethylene
Grill material	Aluminium
Operating temperature	Min: -20°C / -4°F Max: 70°C / 158°F
Operating humidity	<85% HR
Storage temperature	Min: -20°C / -4°F Max: 70°C / 158°F
Storage humidity	<90% HR
Included accessories	3x Waterproof wire connectors
Cable length	0.85 m.
Finished colour	Sand (RAL1001) or green (RAL6028)
Dimensions (WxHxD)	392 x 440 x 390 mm / 15.43 x 17.32 x 15.35 in.
Weight	6.70 Kg / 14.77 lb
Pieces per box	1
Shipping dimensions (WxHxD)	440 x 528 x 440 mm / 17.32 x 20.79 x 17.32 in.
Shipping weight	10.60 Kg / 23.37 lb

⁽¹⁾ Measured frequency range within -10dB of the 1kHz octave band level, according to IEC 60268-5.

⁽²⁾ Beamwidth defined at -6 dB relative to the on-axis sound pressure level, averaged within the 1kHz to 8kHz range.

⁽³⁾ RMS input power applied via IEC shaped band-limited pink noise for 2 hours, per AES2 power handling standard.

⁽⁴⁾ Conventionally 3 dB higher than the RMS measure, intended to represent real music signals.

⁽⁵⁾ Corresponds to the signal crests for the test described in (3).

⁽⁶⁾ Sound pressure level at 1m with 1W input at nominal impedance under half-space radiation conditions.

⁽⁶⁾ Sound pressure level at 1m with 1W input at nominal impedance under full-space radiation conditions.

⁽⁷⁾ Calculated.



PRECAUTIONS

WARRANTY & ENVIRONMENT

PACKAGE CONTENTS

DESCRIPTION & FEATURES

CONNECTIONS

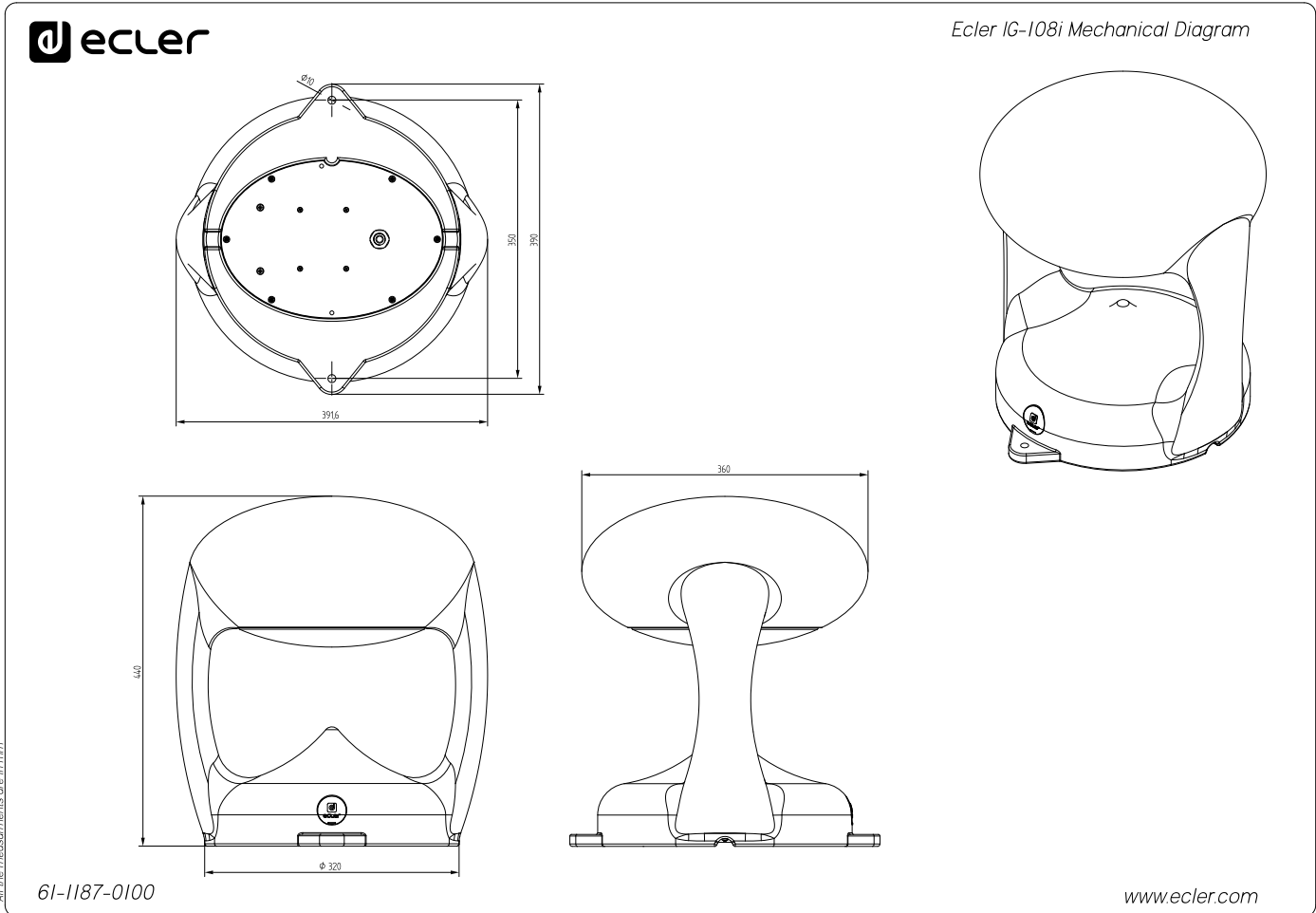
RECOMMENDED AMPLIFIER

POSITIONING & INSTALLATION

TECHNICAL DATA

8.2 Mechanical Diagram

All measurements are in mm.



All the measurements are in mm.

PRECAUTIONS
WARRANTY & ENVIRONMENT
PACKAGE CONTENTS
DESCRIPTION & FEATURES
CONNECTIONS
RECOMMENDED AMPLIFIER
POSITIONING & INSTALLATION
TECHNICAL DATA



PRECAUTIONS

WARRANTY & ENVIRONMENT

PACKAGE CONTENTS

DESCRIPTION & FEATURES

CONNECTIONS

RECOMMENDED AMPLIFIER

POSITIONING & INSTALLATION

TECHNICAL DATA