

BIO-X8

DIGITAL PROCESSORS & MATRIXES

EclerPLEX Expansion Interface



PRODUCT OVERVIEW

BIO-X8 is a cost-effective expansion interface designed to seamlessly increase the capacity of an EclerPLEX digital host matrix. This unit contributes 8 additional analogue audio input ports and 8 analogue audio output ports to the system's default configuration. A maximum of two BIO-X8 units can be connected to a single EclerPLEX host matrix, allowing for a maximum configuration of 24 analogue audio input ports, 24 analogue audio output ports, and up to 24x24 GPIO control ports.

KEY FEATURES

- EclerPLEX audio I/O & control expansion unit, compatible with VIVO host units.
- Connection via X-link to the VIVO host unit (1m Ecler certified X-link cable included).
- Expansion features (added to the host VIVO unit ones):
 - 8 MIC / LINE analogue audio inputs ports (+48V Phantom selectable per port).
 - 8 LINE analogue audio output ports.
- A maximum of 2x BIO-X8 units can be connected to a single VIVO-X8 Series unit host unit, using its 2x X-link expansion ports.

APPLICATIONS

- Retail
- Corporate
- Sports & Wellness
- Hospitality

TECHNICAL SPECIFICATIONS

BIO-X8

AUDIO CONVERTERS	
Sampling rate	48 kHz
Resolution	32 bit
Latency	3.87ms
Frequency response	10Hz to 20kHz (-0,5 dB)
Dynamic range	ADC:115dB, DAC: 115dB
ANALOGUE AUDIO INPUT PORTS	
Number of input ports	8, MIC/LINE level
Connection type	Euroblock, 3-pin, balanced
Input sensitivity	-32,5 dBV to +18,5 dBV -30,3 dBu to +20,7 dBu
Input impedance	8k Ω (balanced), 4k Ω (unbalanced)
Max input level	18,5 dBV / 20,7dBu
Mic preamp EIN	<-129,5 dBV <-127,3 dBu
Dynamic range	Gain 0 dB: >110,2 dB Gain 21 dB: >109,5 dB Gain 42 dB: >105,5 dB Gain 51 dB: >99,5 dB
THD + Noise	Gain 0 dB & Vin 0 dBV: 0,0025% Gain 21 dB & Vin -21 dBV: 0,0026% Gain 42 dB & Vin -42 dBV: 0,0044% Gain 51 dB & Vin -51 dBV: 0,0085% Gain 0 dB & Vin +17 dBV: 0,0010% Gain 21 dB & Vin -4 dBV: 0,0015% Gain 42 dB & Vin -25 dBV: 0,0010% Gain 51 dB & Vin -34 dBV: 0,0015%
CMRR	>70dB typ (1kHz) >60 dB typ (20 Hz - 20kHz)
Phantom power	+48VDC, 10mA per input max
ANALOGUE AUDIO OUTPUT PORTS	
Number of output ports	8, LINE level
Connection type	Euroblock, 3-pin, balanced
Max output level	18,5dBV / 20,7dBu
Output impedance	300 Ω (balanced), 150 Ω (unbalanced)
Dynamic range	> 112,5 dB
Crosstalk	> 95dB
CONNECTIVITY	
X-LINK	1, X-LINK port. USB-C connector
ELECTRICAL	
Power supply	Internal. Universal, regulated switching mode supply
AC mains requirement	100-240 VAC @ 47-63Hz
AC mains connector	IEC C14 inlet
Power consumption	<13W Standard, <15W Typ, <18,5W Max <26VA Standard, <30,5VA Typ, <36,5VA Max
Heat load	<54,6 BTU/h Typ, <68,2 BTU/h Max
Ventilation	FAN

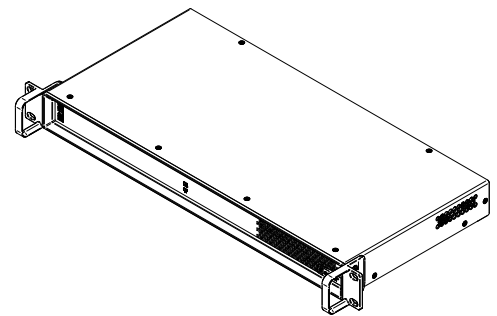
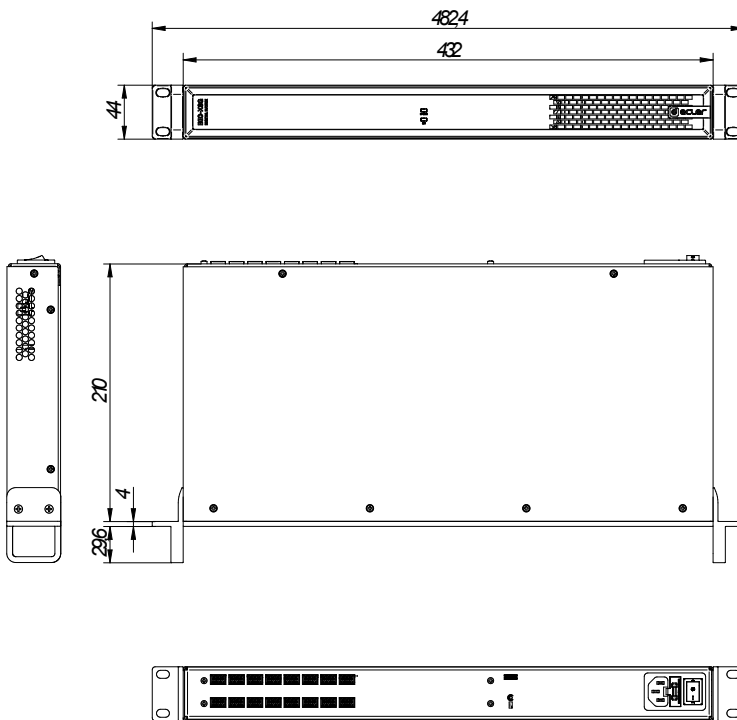
PHYSICAL

Operating temperature	Min: 0°C / 32°F Max: 50°C / 122°F
Operating humidity	5 - 85% RH, non-condensing
Storage temperature	Min: 0°C / 32°F Max: 50°C / 122°F
Storage humidity	5 - 85% RH, non-condensing
Installation options	Desktop, 19" racks (1RU)
Included accessories	1x EU Mains cord, 1x Multiplug Mains cord, 4x Washers, 4x Rubber feet, 1x USB-C Ecler X-Link certified cable, 8x Euroblock connectors (green colour), 8x Euroblock connectors (blue colour), 1x USB holder, 1x Screw.
Dimensions (WxHxD)	482.4 x 44 x 214 mm / 18.99 x 1.73 x 8.43 in.
Weight	3 kg / 6.61 lb.
Shipping dimensions (WxHxD)	585 x 75 x 385 mm / 23.03 x 2.95 x 15.15 x in.
Shipping weight	4.45 kg / 9.81 lb.

MECHANICAL DIAGRAM



Ecler BIO-X8 Mechanical Diagram



All the measurements are in mm

61-1185-0100

www.ecler.com